

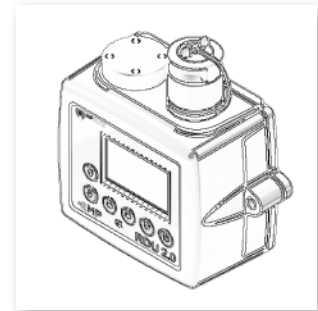
Accessories



Description

Remote Display Unit

Depending on your application, access and visibility of particle counting equipment can sometimes be an issue. The ICM-RDU has specially been developed to dovetail with its parent ICM 2.0. So you have the option to control and monitor the ICM 2.0 remotely. Supplied with a 10m cable as standard.



> Features & Benefits

- Large backlit display
- Keypad interface
- Robust die-cast aluminium construction

Scope of Supply

- 1 x ICMRDU2.0
- 1 x 10m Twisted Pair Cable Assembly
- 1 x Digital copy of user guides/software/drivers

Status LED

All RDU 2.0 versions have a multicolour indicator on the front panel, which is used to indicate the status or alarm state. RDU-K versions also have a screen that changes colour. The alarm thresholds can be set from LPA-View via the serial interface.

Screen and multicolor indicators

- Green indicates that the test result passed, i.e. none of the alarm thresholds were exceeded
- Yellow indicates that the lower cleanliness limit was exceeded, but not the upper one
- Red indicates that the upper cleanliness limit was exceeded
- Blue indicates that the upper water content limit was exceeded
- ● Red/Blue Alternating indicates both cleanliness and water content upper limits exceeded
- Violet indicates that the upper temperature limit was exceeded



Left facing view



Right facing view

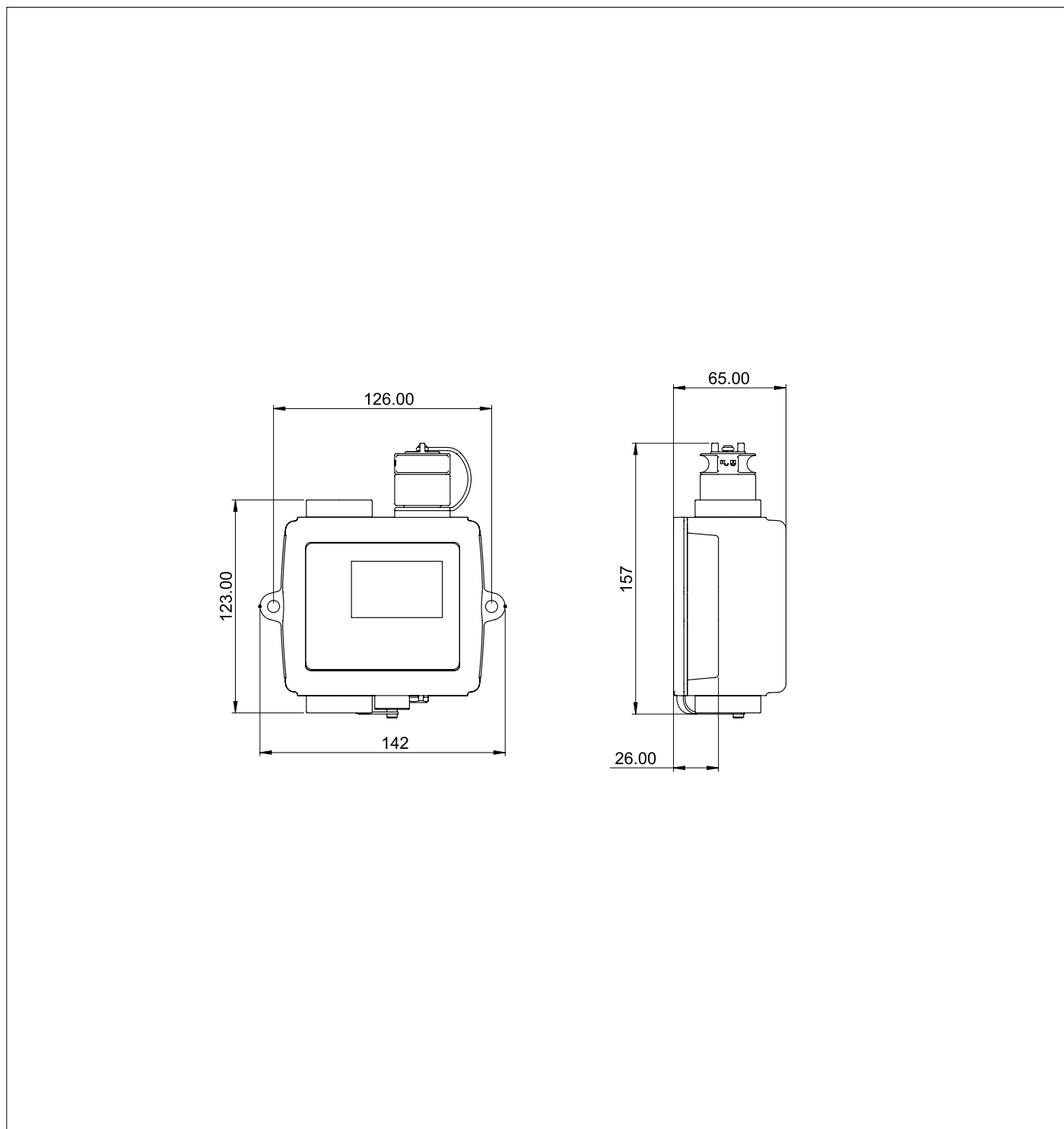


Top view with USB port



Bottom view

Dimensions



Designation & Ordering code

RDU 2.0

Configuration:

Description

Auxiliary Communication Options

We offer four auxiliary communication devices to operate with the ICM 2.0:

ICM-USBi:

Two auxiliary communication devices are available to order with the ICM. A USB interface which allows for communication via a laptop (RS485 to RS232 converter) & an ethernet device for remote access via a network hub.

Both devices can transmit power to the ICM/RDU electrical circuit using a DC power adapter.

The USBi has the additional benefit of supplying power via the USB cable directly. Both devices come with a DC Power adapter and 3m twisted pair cable as standard.

ICM-ETHi:

An ethernet device enables remote access via a network hub via Com Port redirection software.



ICM-USBi



ICM-ETHi

> Features & Benefits

- Compact
- Off the shelf solution
- Robust aluminium construction

Plug and play technology

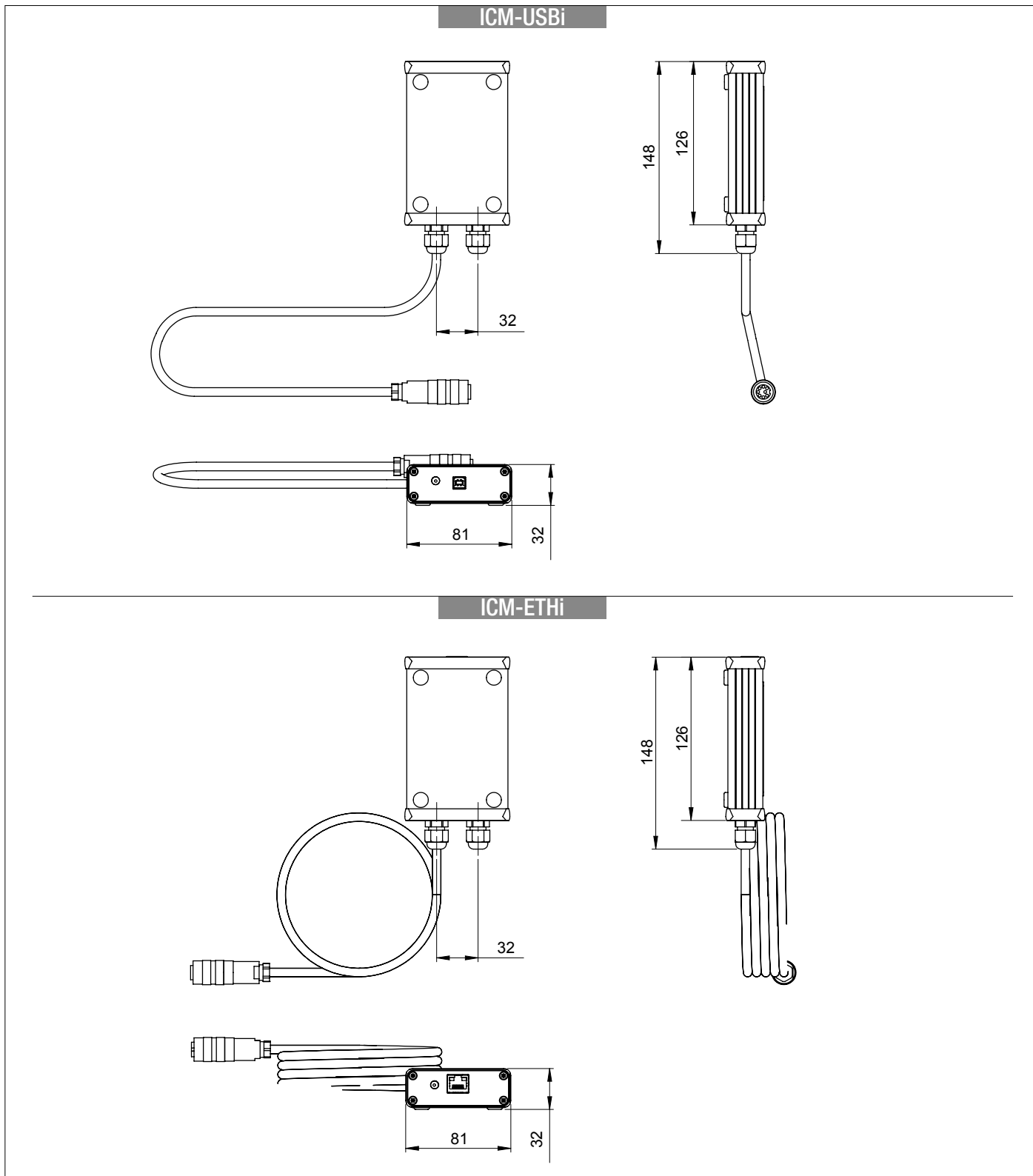
- Robust aluminium construction
- Compact
- Supplied with 3m twisted pair cable as standard.
- All devices can transmit power to the ICM/RDU electrical circuit using the supplied DC power adapter.

ICM-USBi



ICM-ETHi





Designation & Ordering code

ICM-USBi & ICM-ETHi

- Configuration:
- ICM USBi
 - ICM ETHi

Description

Flow Control Valve

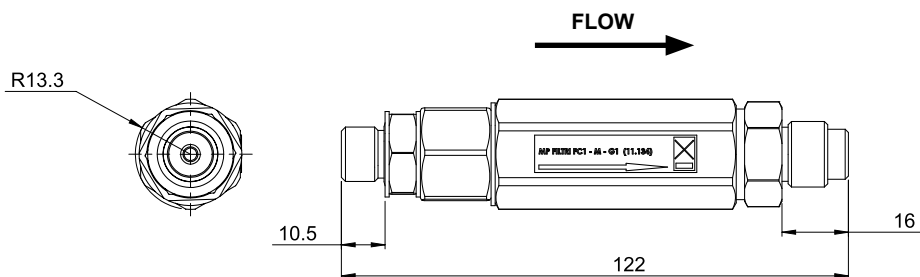
The FC1 is a pressure compensated flow control valve which can operate across a range of fluid types and is compatible with the ICM where flow rate exceeds operating parameters. Max pressure rating 400barg at normal hydraulic system temperatures.

> Features & Benefits

- Pressure compensated
- Regulates flow to within ICM specification
- Various connection options
- Viscosity independent
- Hexagonal form for ease of installation



Dimensions



Designation & Ordering code

ICM-FC1

Series	Configuration example: ICM-FC1 M G1		
ICM-FC1			
Fluid compatibility			
M Mineral oil			
N Offshore fluids			
S Phosphate ester			
Connections			
G1 ICM complete with M16 x 2 pressure test point connections fitted			
G3 1/4" BSP - Female port			
G4 7/16" UNF - Female port			

Description

Screen Filter

The SK0040 coarse screen filter adapter is designed to limit the ingress of large particles into MP Filtri's range of Contamination Monitoring Products (CMP).

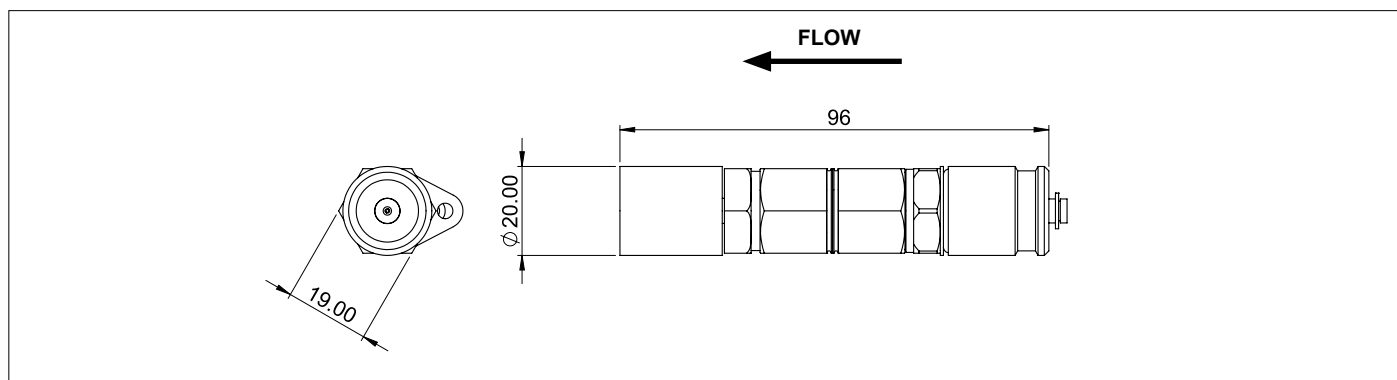
> Features & Benefits

- Part number: SK0040
- Inlet connection: M16x2 male test point
- Outlet connection: M16x2 female thread form
- Pressure rating: 400 bar
- Mesh rating: 600µm



Used with LPA3, LPA2, CML2 and ICM2.0

Dimensions



Designation & Ordering code

SK0040

Configuration:

Description

> Features & Benefits

We supply laboratory standard and certified clean sampling bottles. 100ml, 210ml and 500ml bottle sizes are available and are easily incorporated into our range of bottle samplers.



Designation & Ordering code

BS110 - BS500

For Ordering Codes see page 81.

Description

> Features & Benefits

Replacement hoses.

Pressure Hose

M16x2 Micro bore pressure hose by length (various available) long
Plated steel (alternative material options available)

Pressure hoses are able to connect MP Filtri products directly to your hydraulic systems.

Waste Hose

Length: 2000mm

OD: 8mm

ID: 5mm

Standard material: Polyurethane*

Fitting type: Quick release coupling (brass as standard)

*Other versions available to suit the M, N and S versions of CMP

- LPA3
- LPA2
- CML2
- BS110 - BS500
- ICM 2.0



- LPA3
- LPA2
- CML2



Designation & Ordering code

HOSES

For Ordering Codes see page 81.