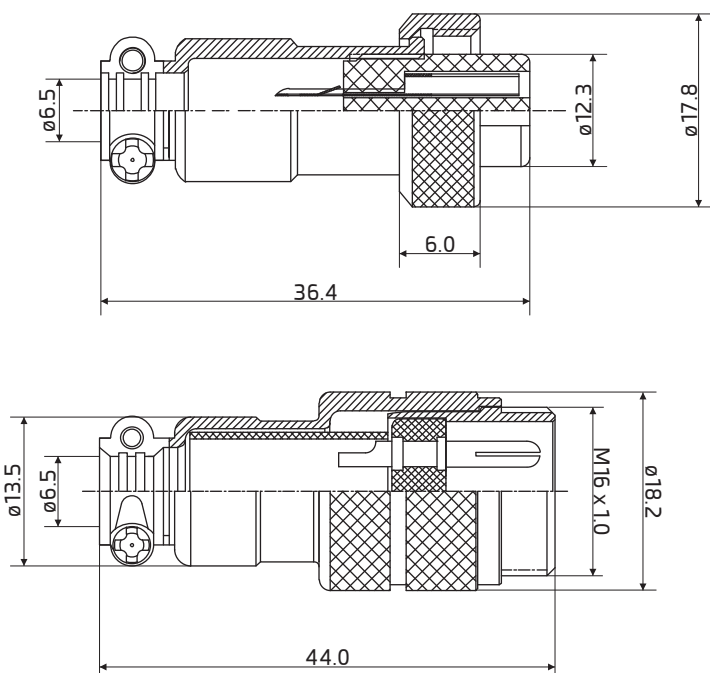


# Datenblatt

## M16 Circular Connector, 3 contacts, Wire to Wire

### 70F923

### Straight Pin Plug to Pin Socket



Dimension: mm $\pm$ 0.2

#### Specification

Number of Contacts: 3  
Mating thread type: M16

#### Material

Shell: Nickel plated Zinc Alloy  
Insulation: Black Bakelite  
Contact: Silver plated Copper

#### Electrical

Operating voltage: 250V  
Rated current: 7 A  
Insulation resistance: 100 M $\Omega$  min.  
Contact resistance: 10 m $\Omega$  max.

#### Environment

Operation temperature: -20 to 85°C  
Protect class: IP55  
Termination: Solder  
Suit Cable size: O.D.  $\varnothing$ 6.5mm max.  
Wire guide: AWG 16 - 14  
Conductor cross-section: 1.3 - 2.1mm<sup>2</sup>