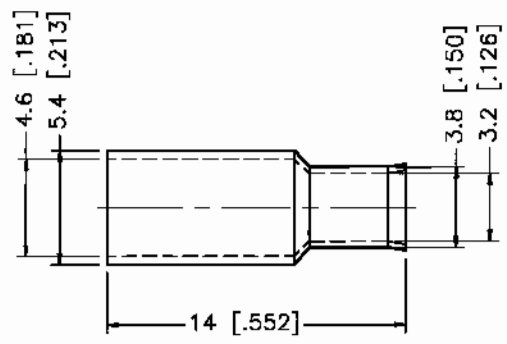
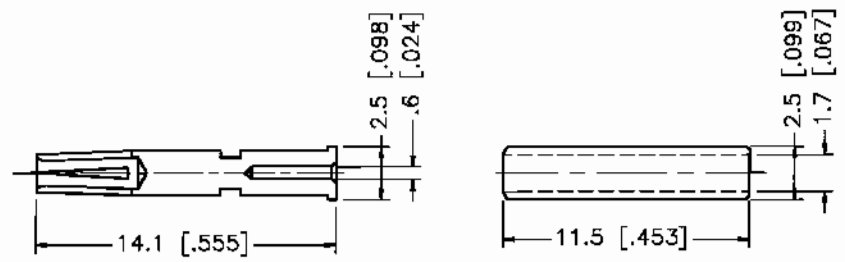
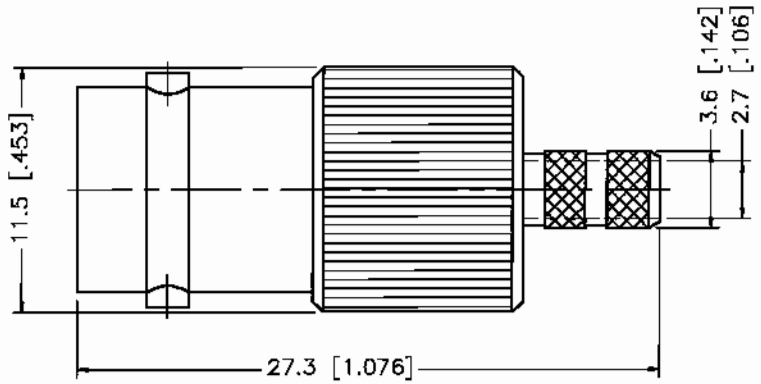
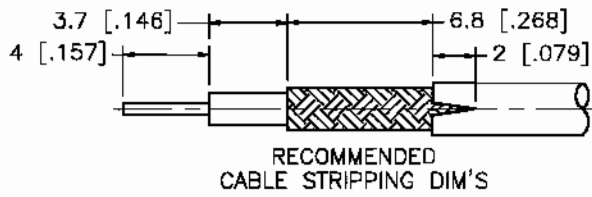



REV.	DATE	DESCRIPTION
A	10/28/99	MODIFY FERRULE PLATING



DESCRIPTION	MATERIAL	FINISH	UNLESS OTHERWISE SPECIFIED DIMENSIONS ARE IN MILLIMETERS	APPROVALS	DATE					
1	BODY	BRASS	NICKEL	DRAWN	G.R.S.					10/25/99
2	INSULATOR	DELKIN	NATURAL	CHECKED			SIZE A			
3	CONTACT PIN	PHOS. BRONZE	GOLD	ISSUED						
4	SLEEVE	DELKIN	NATURAL				DWG. NO. 112529.DWG			
5	FERRULE	BRASS	NICKEL							
6							PART NO. 112529			
7										
8							REV. A			
			DO NOT SCALE DRAWING							

UNLESS OTHERWISE SPECIFIED  
DIMENSIONS IN [ ] ARE IN INCHES  
FOR CUSTOMER REFERENCE ONLY

UNLESS OTHERWISE SPECIFIED  
TOLERANCES FOR MILLIMETERS ARE:  
 0.5-6 = ± 0.2  
 6-30 = ± 0.4  
 30-120 = ± 0.6  
 120-315 = ± 1  
 315-1000 = ± 1.6  
 1000-2000 = ± 2.4