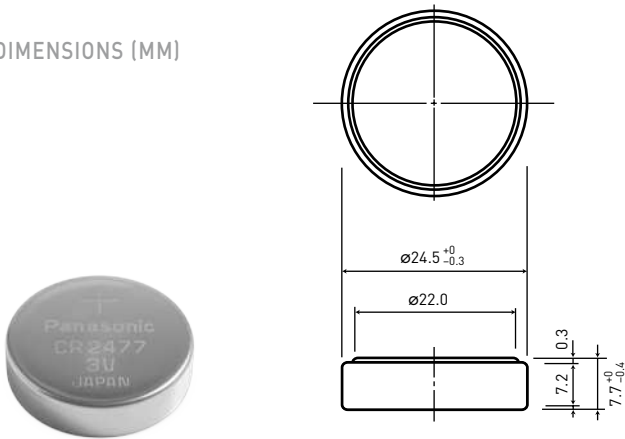
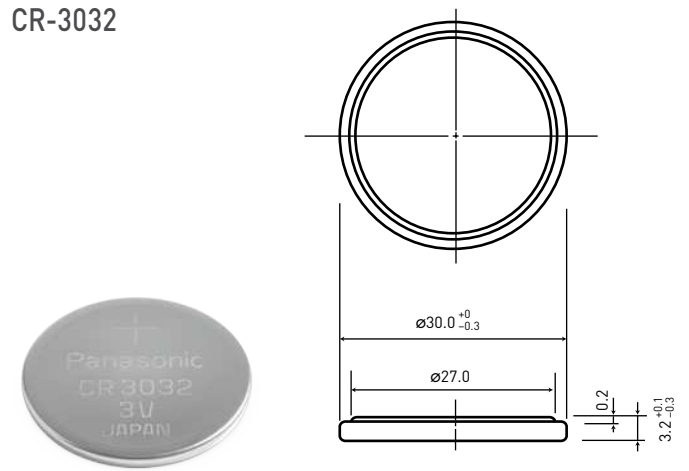


CR-2477

DIMENSIONS (MM)



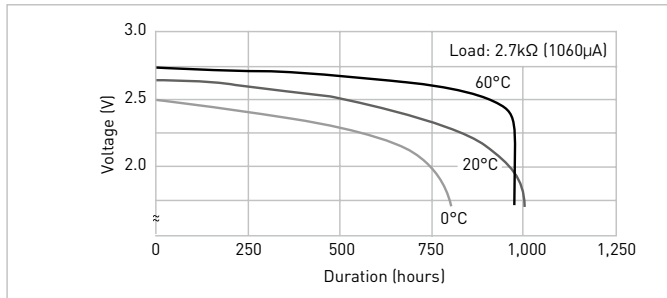
CR-3032



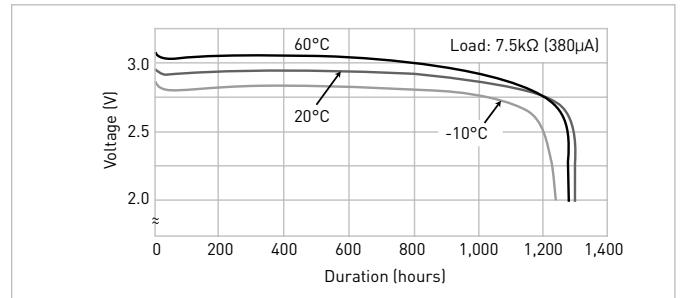
Model number	CR-2477
Nominal voltage (V)	3
Nominal capacity (mAh)	1,000
Diameter (mm)	24.5
Total height (mm)	7.7
Discharging temperature range (°C)	-30 to +60
Weight (g)	10.5

Model number	CR-3032
Nominal voltage (V)	3
Nominal capacity (mAh)	500
Diameter (mm)	30.0
Total height (mm)	3.2
Discharging temperature range (°C)	-30 to +60
Weight (g)	7.1

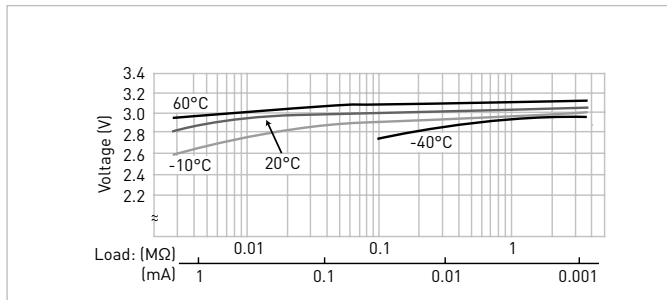
DISCHARGE TEMPERATURE CHARACTERISTICS



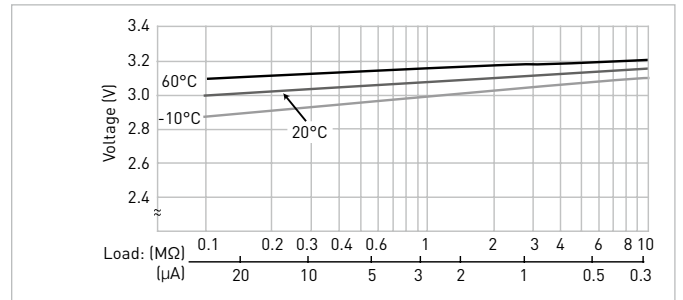
DISCHARGE TEMPERATURE CHARACTERISTICS



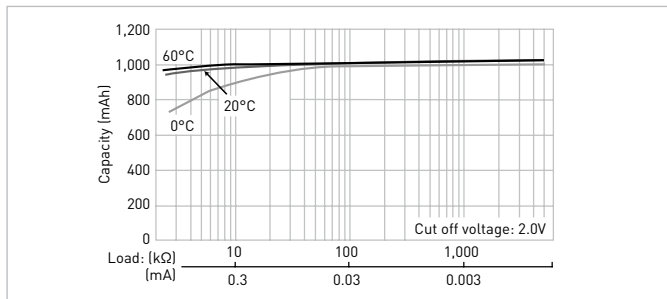
OPERATING VOLTAGE VS. DISCHARGE CURRENT*1



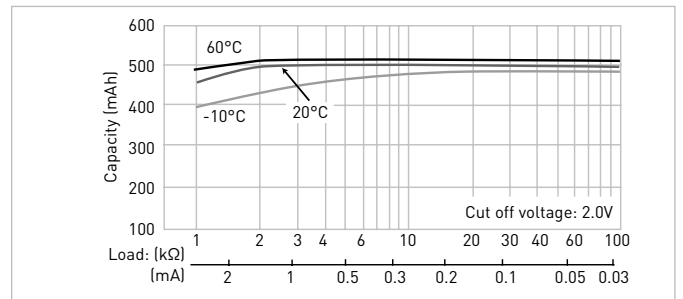
OPERATING VOLTAGE VS. DISCHARGE CURRENT*1



CAPACITY VS. LOAD RESISTANCE



CAPACITY VS. LOAD RESISTANCE



The data in this document are for descriptive purposes only and are not intended to make or imply any guarantee or warranty.

*1 Voltage at 50% discharge depth.