

D.W.G.

100093

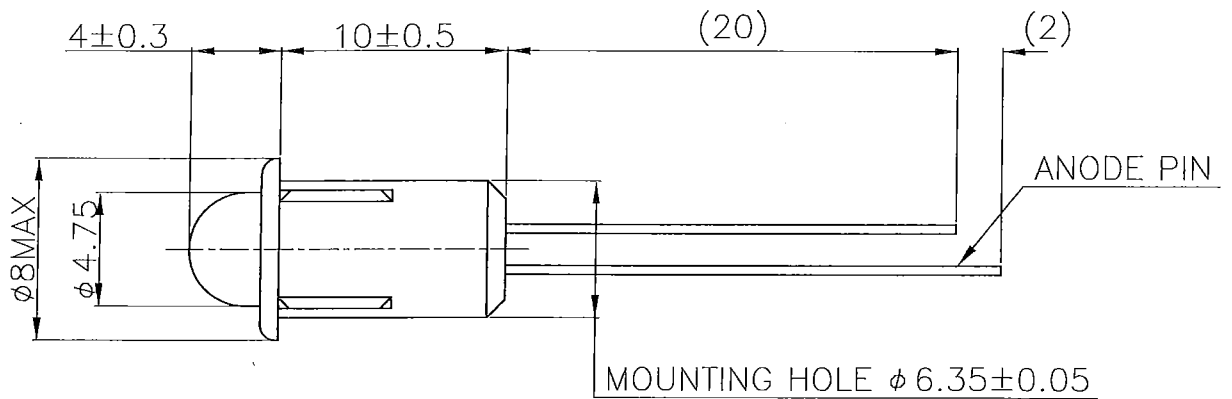
REV.

A

REVISIONS

LET	DESCRIPTION	BY	DATE
A	Change DWG	R.Mori	170405

A

ELECTRO-OPTICAL CHARACTERISTICS ($T_a = 25^\circ\text{C}$)

P/No.	COLOR EMISSION	λ_p (nm)	FORWARD VOLTAGE(V) (TYP)
MD-557UR	ULTRA RED	660	1.5

SCALE

3:1

UNIT

m.m

MATERIAL

TITLE

LED INDICATOR

DATE

991028

DRAWN

S.S

CHECKED

T.S

APPROVED

A.N

D.W.G.NO.

100093

REV.

A