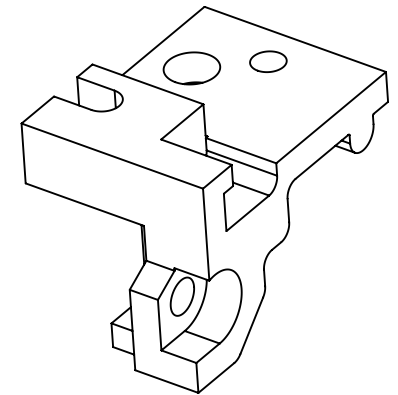
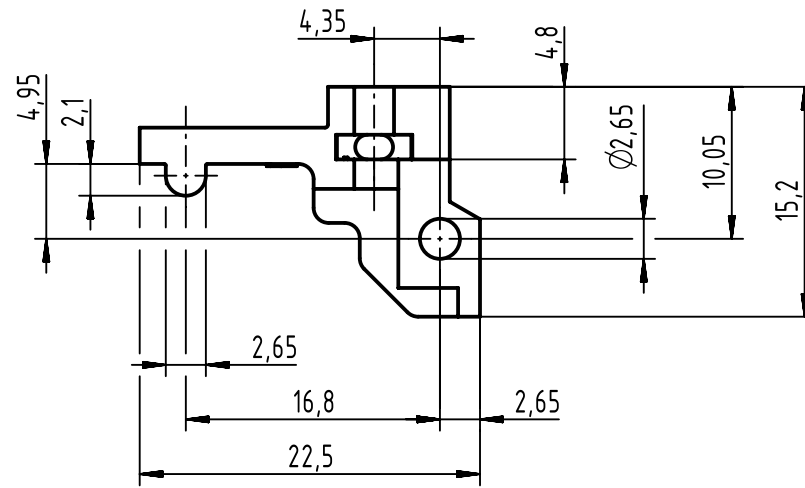
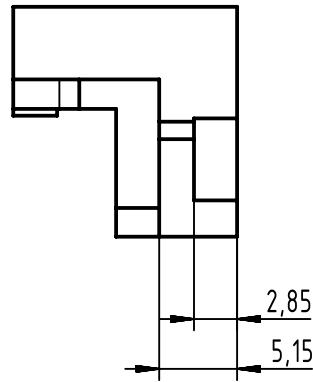
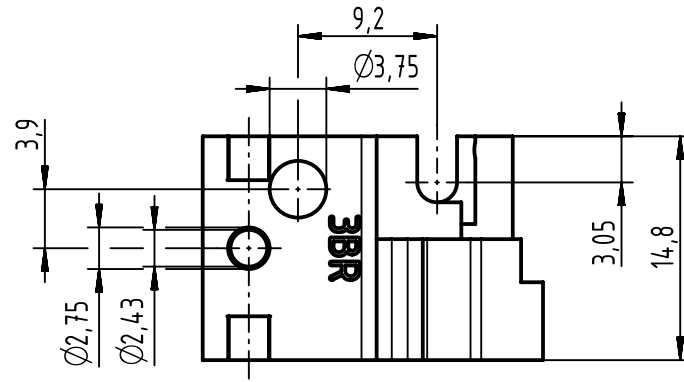



A

B

C

D



	All Dimensions in mm Original Size DIN A4	Scale 2:1			Free size tol.		Ref.		
		Created by KAHLERK			Inspected by ZWAHR	Standardisation HOFFMANN	Date 2017-03-17	State Final Release	
All rights reserved Department EC PD - DE		Title fixing bracket BR 15mm					Doc-Key / ECM-Nr. 100106601/UGD/008/C 500000116938		
HARTING Electronics GmbH D-32339 Espelkamp		Type TB	Number 09060009910			Rev. C	Page 1/1		