

215711-1 ✓ ACTIVE

AMPLIMITE

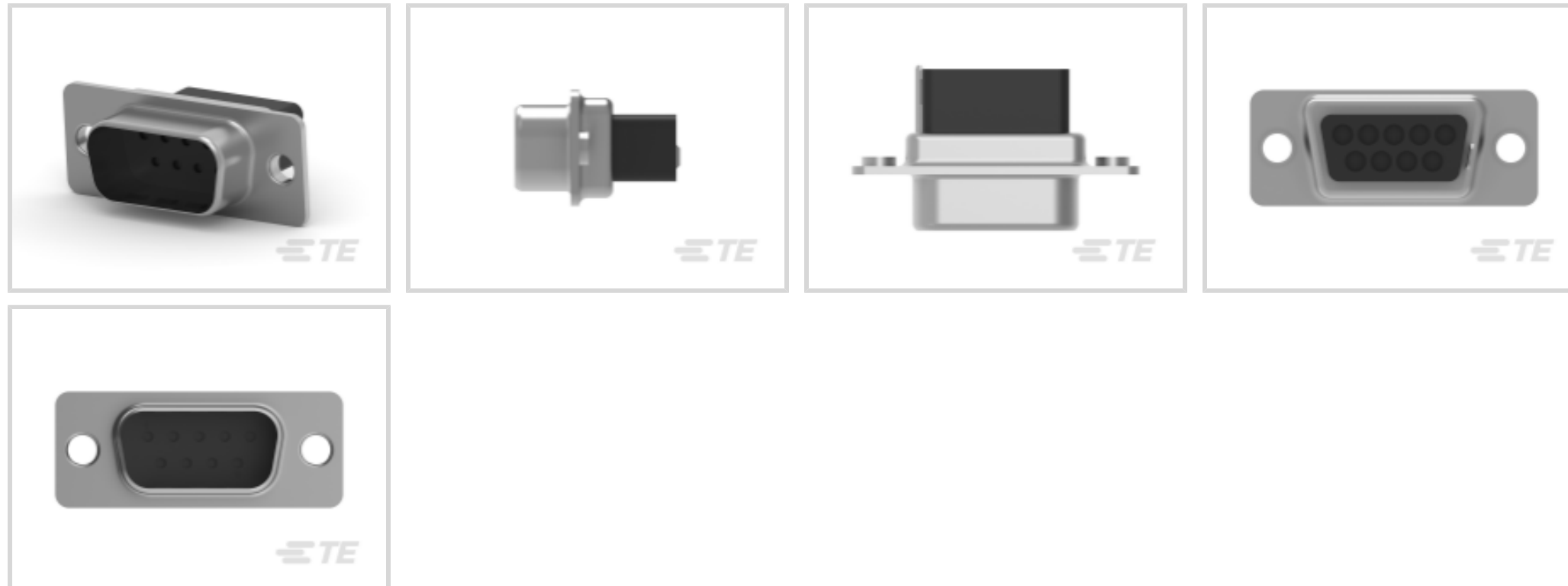
TE Internal #: 215711-1

Crimp D-Sub Connectors, Plug, Cable-to-Cable, 9 Position, 20 D-Sub Contact Size, 1 D-Sub Shell Size, Mating Retention, Mounting Holes, Shielded

[View on TE.com >](#)



Connectors > D-Shaped Connectors > D-Sub Connectors > Crimp D-Sub Connectors > D-Sub Crimp: Plug, Signal, 9 Posn, Pin Size 20, Shell Size 1



Connector & Housing Type: **Plug**

Connector System: **Cable-to-Cable**

Number of Positions: **9**

D-Sub Contact Size: **20**

D-Sub Shell Size: **1**

[All D-Sub Crimp: Plug, Signal, 9 Posn, Pin Size 20, Shell Size 1 \(13\)](#)

Features

Product Type Features

Grade	Standard
Grounding Indents	With
Product Type	Connector
Shell Type	Full Metal Shell
Connector & Housing Type	Plug
Connector System	Cable-to-Cable
D-Sub Shell Size	1
Sealable	No
Connector & Contact Terminates To	Wire & Cable

Configuration Features

Number of Positions	9
---------------------	---

Body Features



Shell Material	Steel
Shell Plating Material	Tin
Insert Material	Glass-Filled Nylon

Contact Features

D-Sub Contact Size	20
--------------------	----

Mechanical Attachment

Mating Retention	With
Mating Retention Type	Mounting Holes

Housing Features

Housing Material	Thermoplastic
Centerline (Pitch)	2.74 mm[.108 in]

Dimensions

Cable Insulation Diameter Range	1.73 mm
---------------------------------	---------

Usage Conditions

Operating Temperature Range	-55 – 105 °C[-67 – 221 °F]
-----------------------------	----------------------------

Operation/Application

For Use With	Pin Contacts
Shielded	Yes
Circuit Application	Signal

Industry Standards

UL Flammability Rating	UL 94V-0
------------------------	----------

Packaging Features

Packaging Method	Box
Packaging Quantity	50

Other

Comment	Version with Grounding Tab for FASTON Receptacle.
---------	---

Product Compliance

For compliance documentation, visit the product page on [TE.com](https://www.te.com)>

EU RoHS Directive 2011/65/EU	Compliant
EU ELV Directive 2000/53/EC	Compliant



China RoHS 2 Directive MIIT Order No 32, 2016	No Restricted Materials Above Threshold
EU REACH Regulation (EC) No. 1907/2006	Current ECHA Candidate List: JAN 2021 (211) Candidate List Declared Against: JAN 2021 (211) Does not contain REACH SVHC
Halogen Content	Not Low Halogen - contains Br or Cl > 900 ppm.
Solder Process Capability	Not applicable for solder process capability

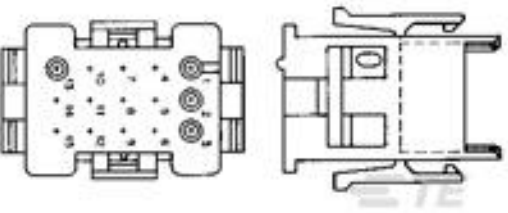

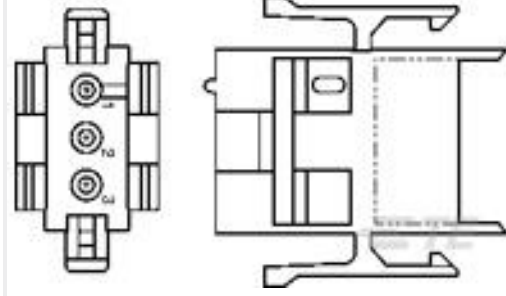

Product Compliance Disclaimer

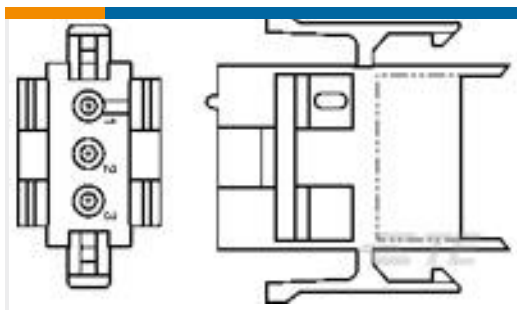
This information is provided based on reasonable inquiry of our suppliers and represents our current actual knowledge based on the information they provided. This information is subject to change. The part numbers that TE has identified as EU RoHS compliant have a maximum concentration of 0.1% by weight in homogenous materials for lead, hexavalent chromium, mercury, PBB, PBDE, DBP, BBP, DEHP, DIBP, and 0.01% for cadmium, or qualify for an exemption to these limits as defined in the Annexes of Directive 2011/65/EU (RoHS2). Finished electrical and electronic equipment products will be CE marked as required by Directive 2011/65/EU. Components may not be CE marked. Additionally, the part numbers that TE has identified as EU ELV compliant have a maximum concentration of 0.1% by weight in homogenous materials for lead, hexavalent chromium, and mercury, and 0.01% for cadmium, or qualify for an exemption to these limits as defined in the Annexes of Directive 2000/53/EC (ELV). Regarding the REACH Regulation, the information TE provides on SVHC in articles for this part number is based on the latest European Chemicals Agency (ECHA) 'Guidance on requirements for substances in articles' posted at this URL: <https://echa.europa.eu/guidance-documents/guidance-on-reach>

Compatible Parts

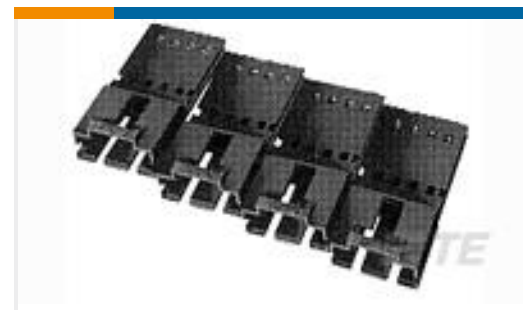
 <p>TE Part # CAT-035-DCRSS201 D-Sub Crimp Recept Signal 9 Posn, Socket Size 20, Shell Size 1</p>	 <p>TE Part # 2198617-9 Ni Plated Plastic Backshell, 9 Way, Str</p>	 <p>TE Part # 3-1393483-8 V42254A1115B209=SUB D FEDERLEI</p>	 <p>TE Part # 1393738-2 V42254A6000G115=SUB D GEHAEUSE</p>
--	--	---	---

Customers Also Bought

 <p>TE Part #1-640514-0 20P MR II CAP HSG V0 RED</p>	 <p>TE Part #1-1437719-1 T01-0540-P03-MALE PLUG CONNECTOR-CRIMP</p>	 <p>TE Part #1-640508-0 03P MR II CAP HSG V0 RED</p>	 <p>TE Part #1-1437719-2 T01-0540-P05-MALE PLUG CONNECTOR-CRIMP</p>
---	--	---	--



TE Part #1-640507-0
02P MR II CAP HSG



TE Part #103653-2
03 MTE SHRD PIN HSG SR LATCH



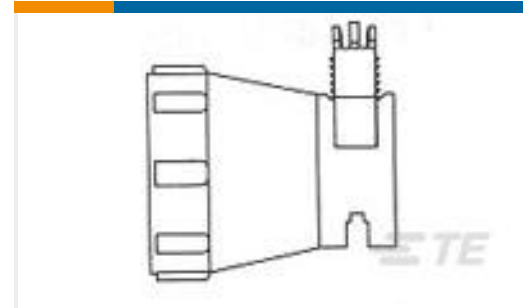
TE Part #1-770904-1
MINI UMNL SOK 22-18AWG AU LF



TE Part #926884-3
UNIV.M-M-L.SOCKET



TE Part #104503-3
04 MTE PIN HSG SR RIB .100CL



TE Part #1546746-4
R/A CABLE CLAMP KIT,SZ 11, MINI CPC

Documents

Product Drawings

[09P.HDP20 PLUG ASSY](#)

English

CAD Files

[3D PDF](#)

3D

Customer View Model

[ENG_CVM_CVM_215711-1_E.2d_dxf.zip](#)

English

Customer View Model

[ENG_CVM_CVM_215711-1_E.3d_igs.zip](#)

English

Customer View Model

[ENG_CVM_CVM_215711-1_E.3d_stp.zip](#)

English

By downloading the CAD file I accept and agree to the [Terms and Conditions](#) of use.

Product Specifications

[Ocena wizualna zlaczy HD20 WTW](#)

[Workmanship Specification](#)