

Safety device - PSR-MM35-1NO-1DO-24DC-SC



1249515

<https://www.phoenixcontact.com/gb/products/1249515>

Please be informed that the data shown in this PDF document is generated from our Online Catalog. Please find the complete data in the user documentation. Our General Terms of Use for Downloads are valid.



Safety relay module for sensor-free speed and speed range monitoring up to SIL 3, Cat. 4, PL e, 2-channel evaluation of the rotating field of AC and three-phase motors, plug-in screw terminal block, width: 12.5 mm

Your advantages

- Safe motion monitoring based on sensor-free rotating field measurement of the drive
- Maximum system availability, robust measuring procedure in the face of interference factors such as shock, vibration, and EMI
- Integrated safety functions: SLS (Safe Limited Speed), SSM (Safe Speed Monitor), SSR (Safe Speed Range)
- Easy parameterization and online monitoring with the PSRmotion software, which can be downloaded free of charge
- 1 enabling current path, 1 parameterizable digital signal output
- Up to Cat. 4/PL e in accordance with EN ISO 13849-1, SIL 3 in accordance with IEC 62061

Commercial Data

Item number	1249515
Packing unit	1 pc
Minimum order quantity	1 pc
Sales Key	DNA242
Product Key	DNA242
GTIN	4063151353643
Weight per Piece (including packing)	156.2 g
Weight per Piece (excluding packing)	148 g
Customs tariff number	90328900
Country of origin	DE

Technical Data

Product properties

Product type	Safety device
Application	Over-speed safety relay
Relay type	Electromechanical relay with force-guided contacts in accordance with IEC/EN 61810-3

Insulation characteristics

Overvoltage category	II (600 V)
	III (300 V)
	III

Times

Typical response time	70 ms (For U_s autostart)
	70 ms (For U_s manual, monitored start)
Delay time range	0 s ... 2 s ± 10 % (Switch-off delay)
	0 s ... 10 s ± 10 % (Switch-on delay)
Restart time	< 5 s (Boot time)

Electrical properties

Maximum power dissipation for nominal condition	3 W (At $U_s = 26.4$ V, $I_L^2 = 6$ A ²)
Nominal operating mode	100% operating factor
Interfaces	Without sensor
Rated insulation voltage	300 V (ÜKAT III)
	600 V (ÜKAT II)
Rated surge voltage/insulation	Basic insulation 4 kV between all current paths and housing
	Safe isolation, reinforced insulation 6 kV: between 13/14 and A1/A2, S34, MO
	Safe isolation, reinforced insulation 8 kV: between L1/L2/L3 and A1, A2, S34, MO between L1/L2/L3 and 13/14
Designation	A1/A2
Rated control circuit supply voltage U_s	20.4 V DC ... 26.4 V DC
Rated control circuit supply voltage U_s	24 V DC -15 % / +10 % (provide external protection)
Rated control supply current I_s	46 mA
Power consumption at U_s	1.1 W
Filter time	20 ms (in the event of voltage dips at U_s)
Protective circuit	Surge protection; Suppressor diode

Input data

Digital: Digital input

Description of the input	IEC 61131-2 type 1
Number of inputs	1 (Non-safety-related parameterizable acknowledgment input: S34)

Safety device - PSR-MM35-1NO-1DO-24DC-SC



1249515

<https://www.phoenixcontact.com/gb/products/1249515>

Input voltage range "0" signal	0 V DC ... 5 V DC
Input voltage range "1" signal	15 V DC ... 30 V DC
Input current range "0" signal	0 mA ... 0.5 mA
Filter time	20 ms (Test pulse width of low test pulses)
Max. permissible overall conductor resistance	500 Ω (Input and reset circuit at U_S)
Protective circuit	33 V suppressor diode
Current consumption	typ. 3 mA (at 24 V)
Input name	Sensor inputs
Number of inputs	3 (Safety-related sensor inputs: L1 , L2 , L3)
Input voltage range "1" signal	90 V AC ... 690 V AC
Precision	$\pm 1 \%$
Limit frequency	min. 0.5 Hz max. 1200 Hz
Current consumption	0.35 mA

Output data

Relay: Enabling current path

Output description	2 N/O contacts in series, floating
Number of outputs	1 (safety-related N/O contacts: 13/14)
Contact type	1 enabling current path
Contact material	AgSnO ₂
Switching voltage	min. 12 V AC/DC max. 250 V AC/DC
Switching capacity	min. 60 mW
Inrush current	min. 3 mA max. 6 A
Switching capacity according to IEC 60947-5-1	4 A (DC13, 24 V) 5 A (AC15, 250 V)
Limiting continuous current	6 A
Sq. Total current	36 A ² (observe derating)
Switching frequency	max. 0.5 Hz
Mechanical service life	10x 10 ⁶ cycles
Output fuse	6 A gL/gG

Signal

Output description	PNP
Number of outputs	1 (Non-safety-related signal output: MO)
Voltage	23 V DC ($U_S - 1$ V)
Current	max. 100 mA
Maximum inrush current	500 mA
Switching frequency	0.5 Hz (ohmic)
Protective circuit	Reverse polarity protection 33 V suppressor diode
Short-circuit protection	Yes

Safety device - PSR-MM35-1NO-1DO-24DC-SC



1249515

<https://www.phoenixcontact.com/gb/products/1249515>

Connection data

Connection technology

pluggable	yes
-----------	-----

Conductor connection

Connection method	Screw connection
Conductor cross section solid	0.2 mm ² ... 2.5 mm ²
Conductor cross-section AWG	24 ... 12
Screw thread	M3
Torque	0.5 Nm ... 0.6 Nm

LED signaling

Status display	1 x green, red LED (OUT)
Operating voltage display	1 x green, red LED (PWR)
Indication	Red LED, (flashes in the event of short-circuits or overload)

Dimensions

Width	12.5 mm
Height	112.2 mm
Depth	114.5 mm

Material specifications

Housing material	Polyamide
Housing color	yellow

Characteristics

Safety data

Stop category	0
---------------	---

Safety data: EN ISO 13849

Category	4
Performance level (PL)	e

Safety data: IEC 61508 - High demand

Equipment type	Type B
Safety Integrity Level (SIL)	3
Probability of a hazardous failure per hour (PFH _D)	5.72 x 10 ⁻⁹ ()
Proof test interval	240 Months
Duration of use	240 Months

Safety data: IEC 61508 - Low demand

Equipment type	Type A
Safety Integrity Level (SIL)	3

Environmental and real-life conditions

Safety device - PSR-MM35-1NO-1DO-24DC-SC



1249515

<https://www.phoenixcontact.com/gb/products/1249515>

Ambient conditions

Degree of protection	IP20
Min. degree of protection of inst. location	IP54
Ambient temperature (operation)	-20 °C ... 55 °C (observe derating)
Ambient temperature (storage/transport)	-40 °C ... 85 °C
Maximum altitude	≤ 2000 m (Above sea level)
Max. permissible humidity (storage/transport)	75 % (on average, 85% infrequently, non-condensing)
Max. permissible relative humidity (operation)	75 % (on average, 85% infrequently, non-condensing)
Shock	15g
Vibration (operation)	10 Hz ... 150 Hz, 2g

Approval data

CE

Certificate	CE-compliant
-------------	--------------

Standards and regulations

Air clearances and creepage distances between the power circuits

Standards/regulations	EN 60947-1
-----------------------	------------

Mounting

Mounting type	DIN rail mounting
Assembly instructions	See derating curve
Mounting position	vertical or horizontal

Safety device - PSR-MM35-1NO-1DO-24DC-SC

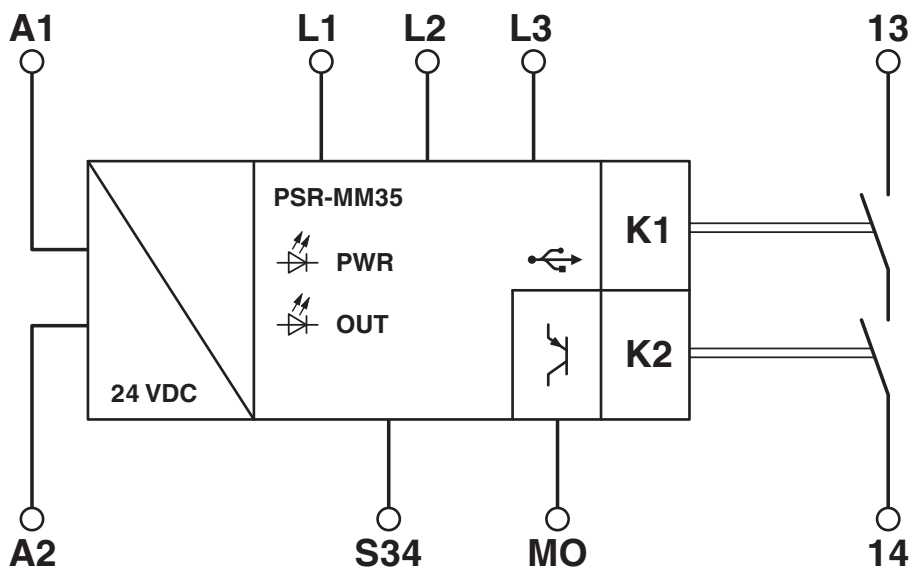


1249515

<https://www.phoenixcontact.com/gb/products/1249515>

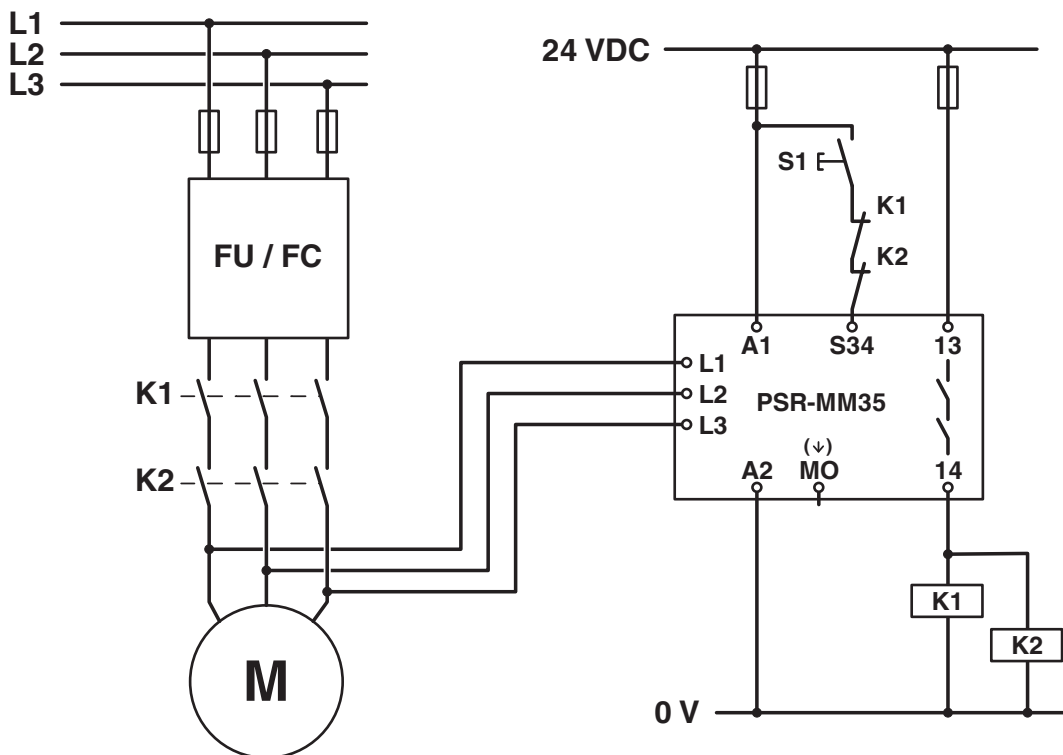
Drawings

Block diagram



Block diagram

Circuit diagram



Example application

Safety device - PSR-MM35-1NO-1DO-24DC-SC



1249515

<https://www.phoenixcontact.com/gb/products/1249515>

Approvals



EAC

Approval ID: RU*-DE*B.00606/20



Functional Safety

Approval ID: 01/205/5879.00/21



UL Listed

Approval ID: FILE E 140324



cUL Listed

Approval ID: FILE E 140324

cULus Listed

Safety device - PSR-MM35-1NO-1DO-24DC-SC



1249515

<https://www.phoenixcontact.com/gb/products/1249515>

Classifications

ECLASS

ECLASS-9.0	27371811
ECLASS-10.0.1	27371811
ECLASS-11.0	27371811

ETIM

ETIM 8.0	EC001448
----------	----------

UNSPSC

UNSPSC 21.0	39122300
-------------	----------

Safety device - PSR-MM35-1NO-1DO-24DC-SC



1249515

<https://www.phoenixcontact.com/gb/products/1249515>

Environmental Product Compliance

China RoHS	Environmentally Friendly Use Period = 50 years
	For information on hazardous substances, refer to the manufacturer's declaration available under "Downloads"

Safety device - PSR-MM35-1NO-1DO-24DC-SC



1249515

<https://www.phoenixcontact.com/gb/products/1249515>

Accessories

Connecting cable

Connecting cable - CAB-USB A/MICRO USB B/2,0M - 2701626

<https://www.phoenixcontact.com/gb/products/2701626>



Connecting cable, for connecting the controller to a PC for PC Worx and LOGIC+, USB A to micro USB B, 2 m in length.

Phoenix Contact 2022 © - all rights reserved
<https://www.phoenixcontact.com>

PHOENIX CONTACT Ltd
Halesfield 13, Telford
Shropshire, TF7 4PG
01952 681700
info@phoenixcontact.co.uk