

## Specifications

Pitch:	5.08mm
Type:	Pluggable
Poles:	2 to 12
Rated Voltage:	See Table
Rated Current:	See Table
Operational Temperature:	-40°C to +105°C
Withstand Voltage:	2500V AC for 60s
Insulation Resistance:	500MΩ at 500V DC
Wire Range:	See Table
Wire Stripping Length:	6-7mm ± 0.5mm
Screw Size:	M3
Max. Torque Value:	0.5Nm
Wave Soldering:	260°C for 5s
Hand Soldering:	350°C for 10s

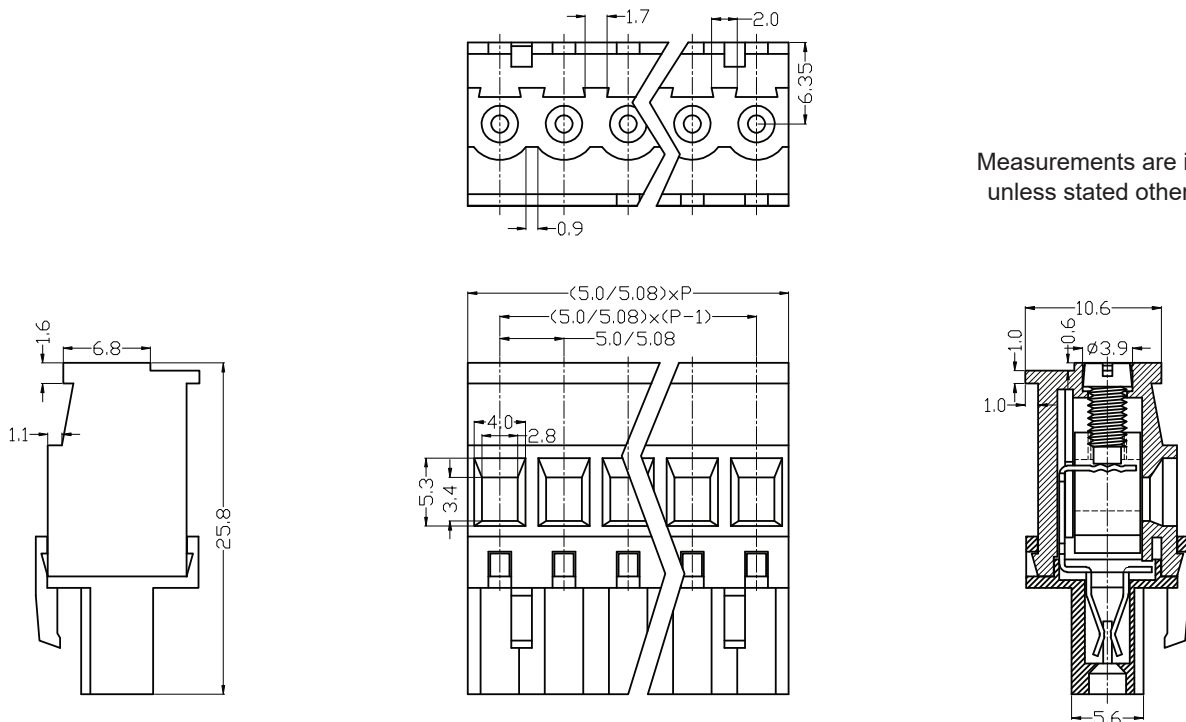


## Colour and Materials

Housing Colour:	Green
Housing Material:	PA66
Flame Retardancy:	UL94-V0
Screw:	Zinc-plated steel (A3)
Wire Cage:	Nickel-plated brass
Contact:	Phosphor bronze

Order Code	Poles	Order Code	Poles
21-5360	2	21-5366	8
21-5361	3	21-5367	9
21-5362	4	21-5368	10
21-5363	5	21-5369	11
21-5364	6	21-5378	12
21-5365	7		

Standard	Rated Voltage	Rated Current	Wire Range
UL	300V	15A	28-12AWG (0.08-4mm <sup>2</sup> )
IEC	320V	10A	2.5mm <sup>2</sup>



Measurements are in mm unless stated otherwise.

For further information on pricing, delivery, and long-term stock agreements please get in touch with your local business development contact. Telephone our main office on **01206 838000** or email [Sales@Rapidonline.com](mailto:Sales@Rapidonline.com).

The information contained in this datasheet is subject to change without notice and replaces all data sheets previously supplied.

