

8796 SA Zyklop "flexible-lock" extension with free-turning sleeve, short, 1/4", 1/4 inch x 75.0 mm  
The Zyklop Ratchets, 1/4"



<b>EAN/GTIN:</b>	4013288121042	<b>Dimension:</b>	142x44x20 mm
<b>Part no.:</b>	05003530001	<b>Weight:</b>	40 g
<b>Article no.:</b>	8796 SA	<b>Country of origin:</b>	CZ
		<b>Customs tariff number:</b>	82042000

- 1/4" Zyklop "flexible lock" extension with free-turning sleeve, short
- For 1/4" square sockets with ball lock
- Flexible lock system for either locking or rapid exchange of the attached tool
- With free-turning sleeve for rapid tightening and loosening of screws and nuts
- Chrome vanadium steel, matt chrome-plated

Wera Zyklop extension with flexible-lock: when activated the sockets are secured and permanently fixed, any unintentional loss being avoided. When the system is deactivated, the sockets can be quickly attached and exchanged. Equipped with a free-turning sleeve for faster turning of screws and nuts.

**Weblink**

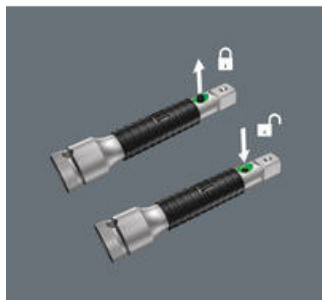
[http://products.wera.de/en/tools\\_for\\_the\\_aerospace\\_segment\\_ratchets\\_the\\_zyklop\\_ratchets\\_1\\_4\\_8796\\_sa.html](http://products.wera.de/en/tools_for_the_aerospace_segment_ratchets_the_zyklop_ratchets_1_4_8796_sa.html)

Wera - 8796 SA  
05003530001 - 4013288121042

Wera Werkzeuge GmbH  
Korzter Straße 21-25  
D-42349 Wuppertal  
Tel: +49 (0)2 02 / 40 45-0  
E-Mail: [info@wera.de](mailto:info@wera.de)

Flexible-lock-system

Free-turning sleeve



With easy-to-grip free-turning sleeve for rapid tightening and loosening of screws and nuts

The extensions from the premium lines are also equipped with the unique "flexible-lock-system". By activating this system, attachments can be fixed to the extension permanently – preventing slipping and any unintentional loss of the attachment. When the system is deactivated, the sockets can be attached as usual and changed in a flash.

The free-turning sleeve on the Zyklop Speed and the Zyklop extension effectively accelerates the turning of screws and nuts.

More variants of this product family:



mm

05003530001

1/4"

75.0

Weblink

[http://products.wera.de/en/tools\\_for\\_the\\_aerospace\\_segment\\_ratchets\\_the\\_zyklop\\_ratchets\\_1\\_4\\_8796\\_sa.html](http://products.wera.de/en/tools_for_the_aerospace_segment_ratchets_the_zyklop_ratchets_1_4_8796_sa.html)

Wera - 8796 SA  
05003530001 - 4013288121042

Wera Werkzeuge GmbH  
Korzter Straße 21-25  
D-42349 Wuppertal  
Tel: +49 (0)2 02 / 40 45-0  
E-Mail: info@wera.de