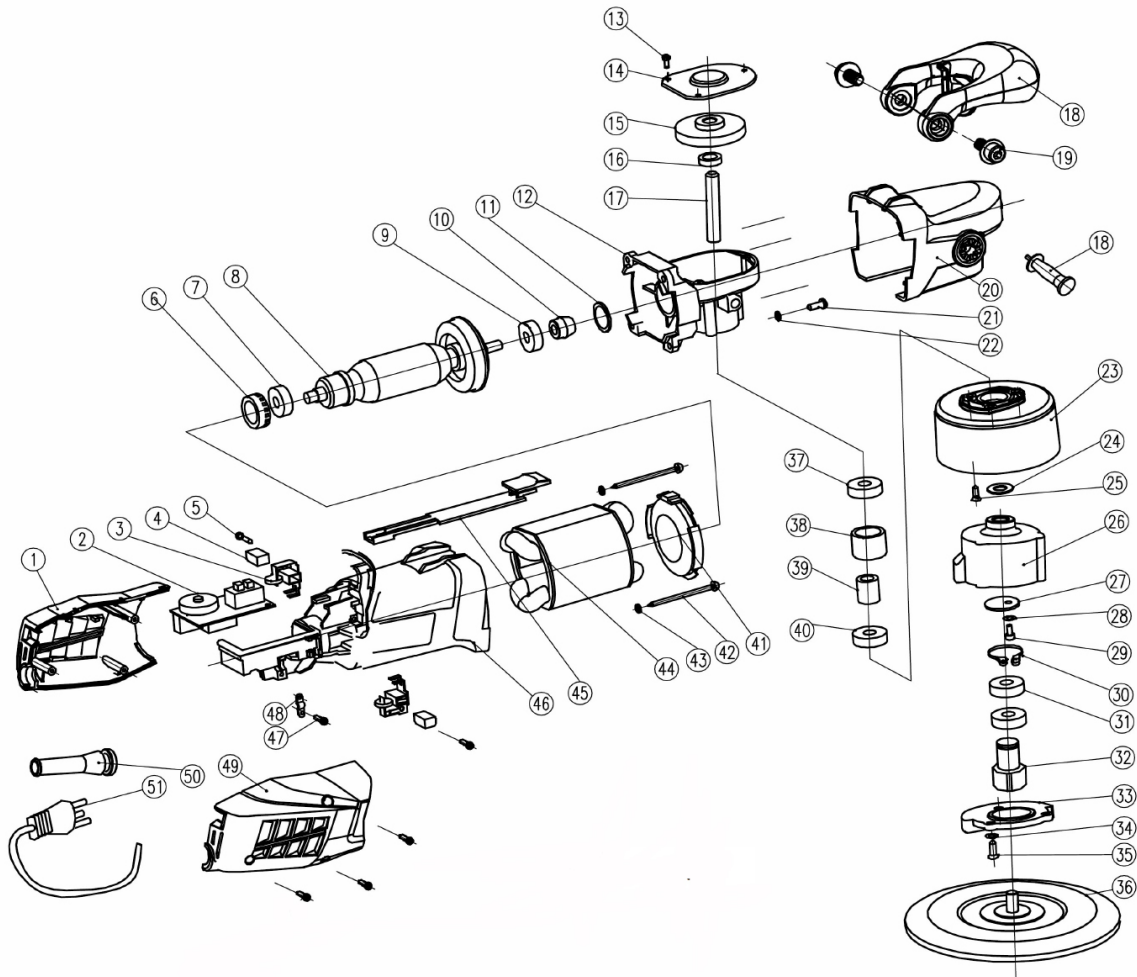




Parts Information:
Random Orbital Dual Action Sander/
Polisher Ø150mm 600W/230V
Model No: DAS149



NOTE: It is our policy to continually improve products and as such we reserve the right to alter data, specifications and component parts without prior notice.

IMPORTANT: No liability is accepted for incorrect use of product.

WARRANTY: Guarantee is 12 months from purchase date, proof of which will be required for any claim.

Sealey Group, Kempson Way, Suffolk Business Park, Bury St Edmunds, Suffolk. IP32 7AR



01284 757500



01284 703534



sales@sealey.co.uk



www.sealey.co.uk



Parts Information:
**Random Orbital Dual Action Sander/
 Polisher Ø150mm 600W/230V
 Model No: DAS149**

1	DAS149.01	HOUSING, RIGHT
2	DAS149.02	SPEED CONTROL ASS'Y
3	DAS149.03	BRUSH HOLDER
4	DAS149.04	CARBON BRUSH
5	DAS149.05	BRUSH HOLDER SCREW
6	DAS149.06	BEARING CAP
7	B/608	BEARING 608
8	DAS149.08	ARMATURE 230V
9	B/608	BEARING 608
10	DAS149.10	GEAR (SMALL)
11	DAS149.11	O-RING
12	DAS149.12	GEAR CASE
13	MSP38.S	MACHINE SCREW PAN HEAD PHILLIPS M3x8mm (SINGLE)
14	DAS149.14	DUST COVER
15	DAS149.15	GEAR (BIG)
16	DAS149.16	GEAR WASHER M9
17	DAS149.17	GEAR SHAFT
18	DAS149.18	HANDLE
19	SCB825.S	SOCKET CAP BOLT ZINC M8X25
20	DAS149.20	GEAR COVER
21	DAS149.21	SCREW
22	SWM4.S	SPRING WASHER M4 (SINGLE)
23	DAS149.23	PROTECTING COVER
24	DAS149.24	WASHER BEARING BLACK M8X18
25	DAS149.25	SCREW
26	DAS149.26	ECCENTRIC BODY (UPPER)
27	DAS149.27	ECCENTRIC WASHER DISC, OFF CENTRE HOLE
28	DAS149.28	TOOTHED WASHER M5

Item	Part No.	Description
29	SCB514.S	SOCKET CAP BOLT ZINC M5x14
30	DAS149.30	RETAINING RING
31	DAS149.31	BEARING (USE B/6001)
--	B/6001	BEARING 6001 (NOT SHOWN)
32	DAS149.32	ECCENTRIC SHAFT
33	DAS149.33	ECCENTRIC BODY (LOWER)
34	DAS149.34	TOOTHED WASHER
35	MSP418.S	MACHINE SCREW PAN HEAD PHILLIPS M4x18mm (SINGLE)
36	PTC/150VA	DA PAD for HOOK & LOOP DISCS 145mm 5/16"
37	DAS149.37	BEARING
38	DAS149.38	BEARING COVER (OUTER)
39	DAS149.39	BEARING COVER (INNER)
40	DAS149.40	BEARING
41	DAS149.41	BAFFLE
42	DAS149.42	SCREW
43	SWM4.S	SPRING WASHER M4 (SINGLE)
44	DAS149.44	STATOR 230V
45	DAS149.45	SWITCH SLIDE
46	DAS149.46	HOUSING, MAIN
47	DAS149.47	SCREW
48	DAS149.48	CABLE GRIP
49	DAS149.49	HOUSING, LEFT
50	DAS149.50	CABLE SLEEVE
51	DAS149.51	POWER CABLE
--	PTC/150SA	DA PAD for STICK-ON DISCS 145mm 5/16 (NOT SHOWN)
--	PTC/150A	DA PAD for STICK-ON DISCS 148mm 5/16 (NOT SHOWN)

NOTE: It is our policy to continually improve products and as such we reserve the right to alter data, specifications and component parts without prior notice.

IMPORTANT: No liability is accepted for incorrect use of product.

WARRANTY: Guarantee is 12 months from purchase date, proof of which will be required for any claim.

Sealey Group, Kempson Way, Suffolk Business Park, Bury St Edmunds, Suffolk. IP32 7AR



01284 757500



01284 703534



sales@sealey.co.uk



www.sealey.co.uk