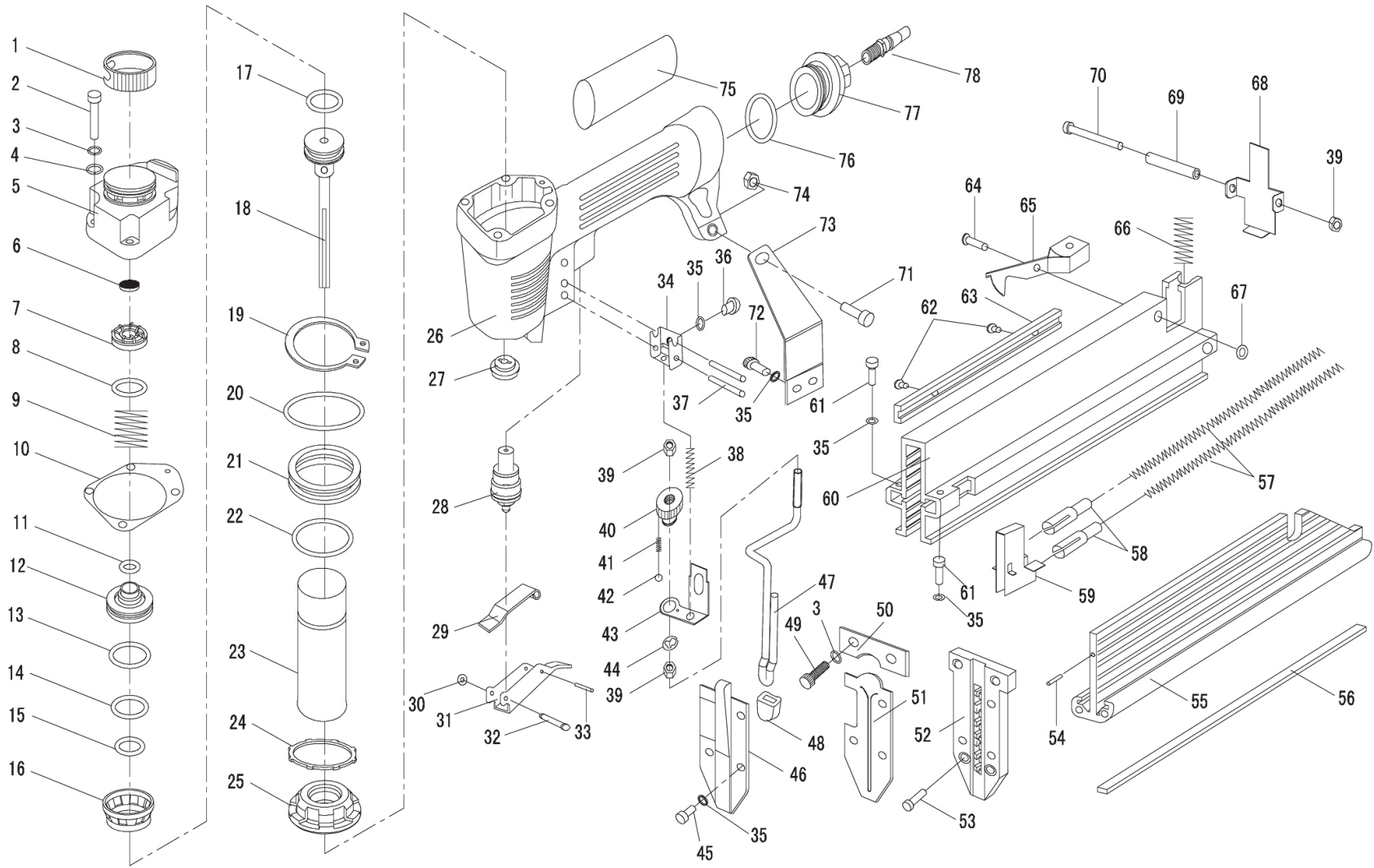




Parts Information:
Air Nail/Staple Gun 50mm/40mm Capacity
Model No: SA792.V3



NOTE: It is our policy to continually improve products and as such we reserve the right to alter data, specifications and component parts without prior notice.

IMPORTANT: No liability is accepted for incorrect use of product.

WARRANTY: Guarantee is 12 months from purchase date, proof of which will be required for any claim.

Sealey Group, Kempson Way, Suffolk Business Park, Bury St Edmunds, Suffolk. IP32 7AR

01284 757500

01284 703534

sales@sealey.co.uk

www.sealey.co.uk



Parts Information:
Air Nail/Staple Gun 50mm/40mm Capacity
Model No: SA792.V3

Item	Part No.	Description
1	SA792.V3-01	EXHAUST COVER
2	SA792.V3-02	HEX BOLT (M5x25)
3	SA792.V3-03	SPRING WASHER (5mm)
4	SA792.V3-04	FLAT WASHER (5mm)
5	SA792.V3-05	AIR CAP
6	SA792.V3-06	CAP SEAL
7	SA792.V3-07	SEAL
8	SA792.V3-08	O-RING (23.7x1.5)
9	SA792.V3-09	COMPRESSED SPRING
10	SA792.V3-10	CYLINDER CAP GASKET
11	SA792.V3-11	O-RING (9.5x26.5)
12	SA792.V3-12	HEAD VALVE PISTON
13	SA792.V3-13	O-RING (31.5x2.4)
14	SA792.V3-14	O-RING (24.5x3.5)
15	SA792.V3-15	O-RING (14.5x2.65)
16	SA792.V3-16	COLLAR
17	SA792.V3-17	O-RING (22x3)
18	SA792.V3-18	PISTON ASSEMBLY
19	SA792.V3-19	RETAINING RING (32mm)
20	SA792.V3-20	O-RING (41.2x2.65)
21	SA792.V3-21	SEAL
22	SA792.V3-22	O-RING (31.5x2.65)
23	SA792.V3-23	CYLINDER
24	SA792.V3-24	GASKET
25	SA792.V3-25	BUMPER
26	SA792.V3-26	BODY
27	SA792.V3-27	BUNG
28	SA792.V3-28	SWITCH UNIT
29	SA792.V3-29	TRIGGER LEVER
30	SA792.V3-30	O-RING (1.8x1.8)
31	SA792.V3-31	TRIGGER
32	SA792.V3-32	TRIGGER PIN
33	SA792.V3-33	SPRING PIN (2.5x16)
34	SA792.V3-34	SAFETY GUIDE
35	SA792.V3-35	SPRING WASHER (4mm)
36	SA792.V3-36	HEX BOLT (M4x6)
37	SA792.V3-37	SPRING PIN (3x25)
38	SA792.V3-38	SPRING
39	SN4.S	STEEL NUT M4 ZINC DIN934 (SINGLE)

Item	Part No.	Description
40	SA792.V3-40	ADJUSTMENT KNOB
41	SA792.V3-41	SPRING
42	SA792.V3-42	STEEL BALL (2mm)
43	SA792.V3-43	LEVER
44	SA792.V3-44	E-RING (6mm)
45	SA792.V3-45	HEX BOLT (M4x8)
46	SA792.V3-46	SAFETY COVER
47	SA792.V3-47	SAFETY
48	SA792.V3-48	SAFETY TIP
49	SA792.V3-49	HEX BOLT (M5x22)
50	SA792.V3-50	LOCK PLATE
51	SA792.V3-51	DRIVER GUIDE COVER
52	SA792.V3-52	DRIVER GUIDE
53	SA792.V3-53	HEX BOLT (M4x14)
54	SA792.V3-54	PIN (1.5x6)
55	SA792.V3-55	MAGAZINE
56	SA792.V3-56	NAIL GUIDE
57	SA792.V3-57	SPRING
58	SA792.V3-58	PUSHER HOLDER
59	SA792.V3-59	PUSHER
60	SA792.V3-60	MAGAZINE
61	SA792.V3-61	HEX BOLT (M4x14)
62	SA792.V3-62	HEX BOLT (M4x6)
63	SA792.V3-63	BUNG SUPPORT
64	SA792.V3-64	PIN
65	SA792.V3-65	MAGAZINE LATCH
66	SA792.V3-66	SPRING
67	SA792.V3-67	O-RING (2.5x1.8)
68	SA792.V3-68	TAIL COVER
69	SA792.V3-69	SLEEVE
70	SA792.V3-70	HEX BOLT (M4x37)
71	SA792.V3-71	HEX BOLT (M5x20)
72	SA792.V3-72	HEX BOLT (M4x8)
73	SA792.V3-73	TAIL HANGER
74	NL5.S	NYLOC NUT M5 ZINC DIN 985 (SINGLE)
75	SA792.V3-75	HAND GRIP
76	SA792.V3-76	O-RING (33x1.65)
77	SA792.V3-77	END CAP
78	SA792.V3-78	AIR INLET

NOTE: It is our policy to continually improve products and as such we reserve the right to alter data, specifications and component parts without prior notice.

IMPORTANT: No liability is accepted for incorrect use of product.

WARRANTY: Guarantee is 12 months from purchase date, proof of which will be required for any claim.

Sealey Group, Kempson Way, Suffolk Business Park, Bury St Edmunds, Suffolk. IP32 7AR



01284 757500



01284 703534



sales@sealey.co.uk



www.sealey.co.uk