

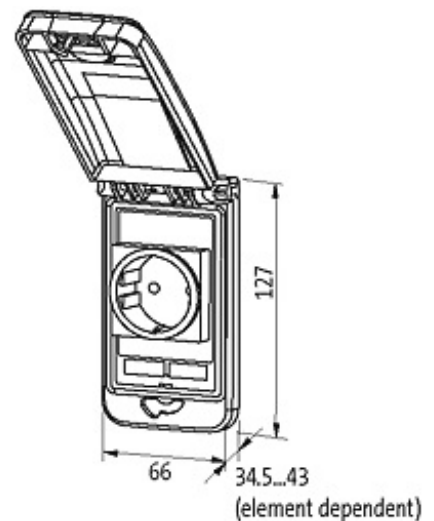
**MODLINK MSDD FRAME SINGLE TRANSPARENT**

Closure 3 mm double bit incl. pluggable knob

Mounting frame plastic PBT black

Lid: plastic, PC transparent

Closure: 3 mm double bit  
with attachable rotation knob

[Link to Product](#)**Illustration**

Product may differ from Image

**Approvals**



### Frame

suitable for mounting with wall thickness	1...5 mm
Protection	IP65
Housing	Mounting frame plastic PBT black, cap plastic PC transparent
Dimensions H x W x D	91x52x5
Temperature range	-30...+70 °C (storage temperature -30...+80 °C)

### General data

Dimensions H x W x D	127x66x32 mm
----------------------	--------------

### Commercial data

country of origin	DE
customs tariff number	85389099
minimum order quantity	1