

## MSUD VALVE PLUG FORM A 18MM

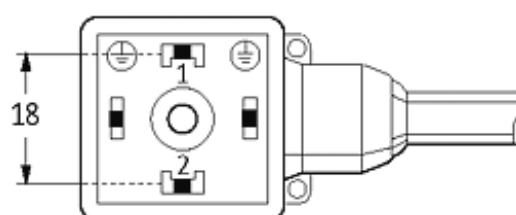
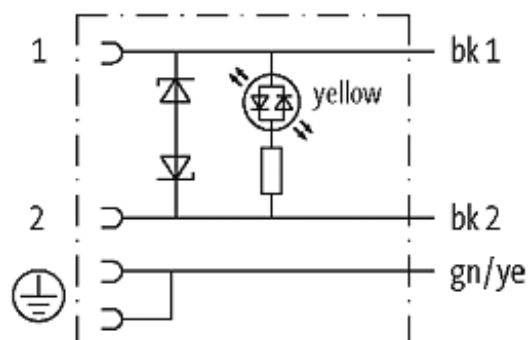
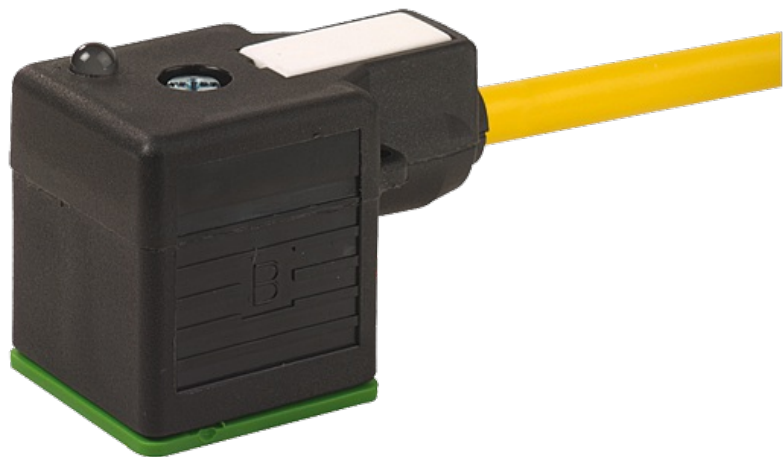
PVC 3X0.75 YELLOW, 7.5m

Form A (18 mm)  
110 V AC/DC with LED and suppression

Further cable lengths on request. Plastic housings with good resistance against chemicals and oils. The resistance to aggressive media should be individually tested for your application. Further details on request.

### [Link to Product](#)

#### Illustration





Product may differ from Image

### Approvals



### Form

18041

### Technical Data

Operating voltage	110 V AC/DC (95...121 V AC/DC)
Operating current per contact	max. 4 A
Switch off peak	max. 250 V
Switch off delay time	max. 20 ms
Locking of ports	M3 (recommended torque 0.4 Nm)
Protection	IP67 inserted and tightened (EN 60529)
Housing	Black plastic (gray on request)

### Cables

Cable number	016
No./diameter of wires	3 × 0.75 mm <sup>2</sup>
Wire isolation	PVC (bk, num, gnye)
Jacket Color	yellow
Shore hardness outer jacket	80 ± 5A
Material (jacket)	PVC
Outer diameter	approx. 5.9 mm
Bend radius (fixed)	5 × outer Ø
Bend radius (moving)	10 × outer Ø
Temperature range (fixed)	-30...+70 °C
Temperature range (mobile)	-5...+70 °C

### General data

Temperature range	-25...+85 °C, depending on cable quality
-------------------	------------------------------------------

### Commercial data

country of origin	CZ
customs tariff number	85444290
minimum order quantity	1