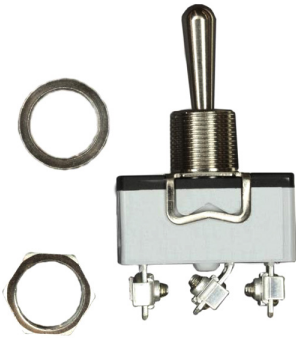


Toggle Switches

multicomp PRO

**RoHS
Compliant**




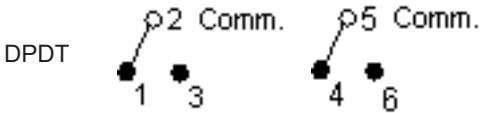


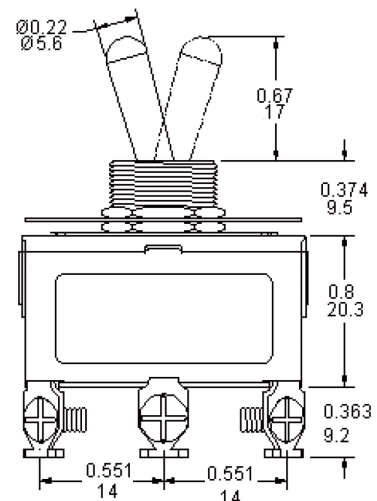
Specifications

Action : DPDT
 Contact Rating : 15A at 250V AC, 20A at 125V AC
 Max. Contact Resistance : 20mΩ
 Dielectric Strength : 1,500Vrms
 Min. Insulation Resistance : 200MΩ at 500V DC
 Operating Life : 40,000 cycles
 Operating Temperature : -30°C to +85°C

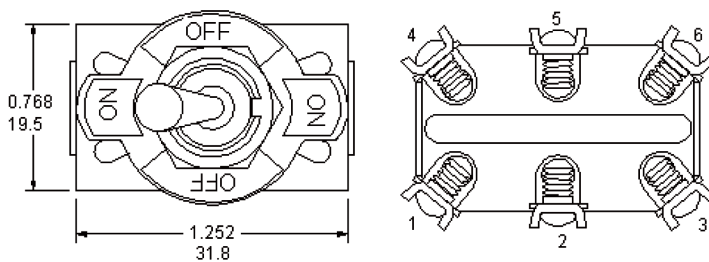
Material

Actuator : Brass, chrome plated
 Bushing : Brass, nickel plated
 Contact : Silver alloy
 Support : Brass, tin plated
 Terminal : SPC21169, SPC21170, SPC21171, SPC21174 - Brass, nickel plated (Screw / Long)
 Terminal : SPC21166, SPC21167 - Bare brass (Flat)
 Terminal : SPC21408 - Brass, tin plated (Solder)

Model No.	Switching Position		
			
SPC21408 SPC21166 SPC21169	ON	NONE	ON
SPC21167 SPC21170	ON	OFF	ON
SPC21171	MOM	OFF	ON
SPC21174	MOM	OFF	MOM
Conn. Terms	2-3 5-6	OPEN	2-1 5-4
Schematic			



Diagram

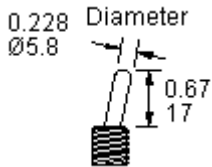


Dimensions : Inches (Millimetres)

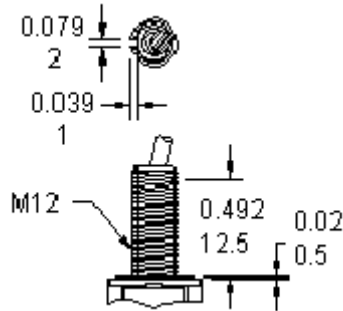
Newark.com/multicomp-pro
 Farnell.com/multicomp-pro
 Element14.com/multicomp-pro

multicomp PRO

Actuator



Bushing



Part Number Table

Description	Part Number
Toggle Switch, On-On, DPDT, Non Illuminated, 20A, Panel Mount	SPC21166
Toggle Switch, On-Off-On, DPDT, Non Illuminated, 20A, Panel Mount	SPC21167
Toggle Switch, On-On, DPDT, Non Illuminated, 20A, Panel Mount	SPC21169
Toggle Switch, On-Off-On, DPDT, Non Illuminated, 20A, Panel Mount	SPC21170
Toggle Switch, (On)-Off-On, DPDT, Non Illuminated, 20A, Panel Mount	SPC21171
Toggle Switch, (On)-Off-(On), DPDT, Non Illuminated, 20A, Panel Mount	SPC21174
Toggle Switch, On-On, DPDT, Non Illuminated, 20A, Panel Mount	SPC21408

Dimensions : Inches (Millimetres)

Important Notice : This data sheet and its contents (the "Information") belong to the members of the AVNET group of companies (the "Group") or are licensed to it. No licence is granted for the use of it other than for information purposes in connection with the products to which it relates. No licence of any intellectual property rights is granted. The Information is subject to change without notice and replaces all data sheets previously supplied. The Information supplied is believed to be accurate but the Group assumes no responsibility for its accuracy or completeness, any error in or omission from it or for any use made of it. Users of this data sheet should check for themselves the Information and the suitability of the products for their purpose and not make any assumptions based on information included or omitted. Liability for loss or damage resulting from any reliance on the Information or use of it (including liability resulting from negligence or where the Group was aware of the possibility of such loss or damage arising) is excluded. This will not operate to limit or restrict the Group's liability for death or personal injury resulting from its negligence. Multicomp Pro is the registered trademark of Premier Farnell Limited 2019.