

# Customer Information Sheet

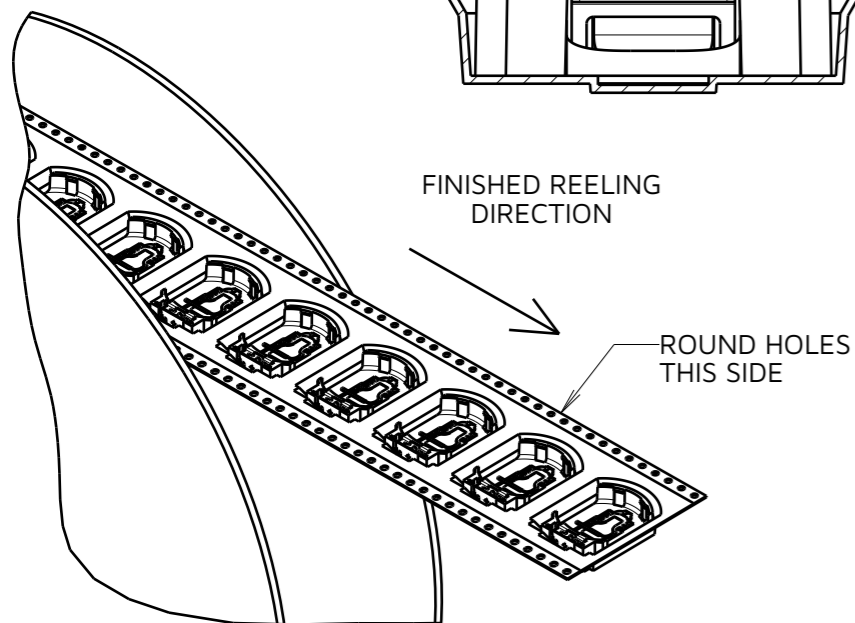
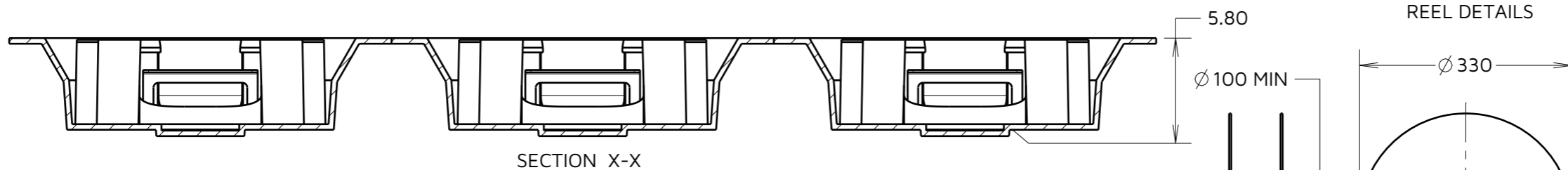
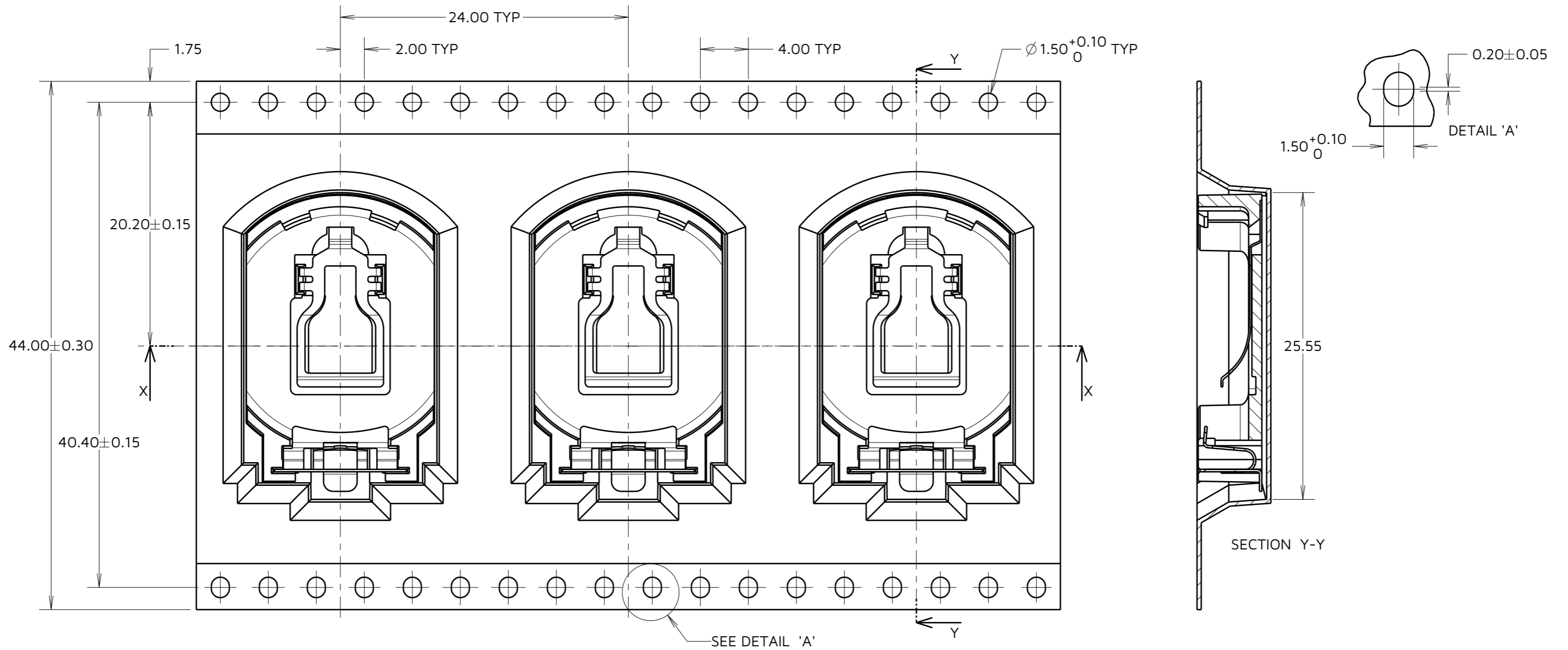
IF IN DOUBT - ASK

©

NOT TO SCALE

THIRD ANGLE PROJECTION

ALL DIMENSIONS IN mm



**NOTES:**

1. FOR CONNECTOR DETAILS SEE SHEET 4.
2. QUANTITY PER REEL = 500.
3. TAPE AND REELING TO BE IN ACCORDANCE WITH EIA-481 (ELECTRONIC INDUSTRIES ASSOCIATION)

MGP	7	20.09.23	33065
NAME	ISS.	DATE	CN/CO
APPROVED: MGP			
CHECKED: FC			
DRAWN: R.ADDE			
ASSEMBLY DRG:			

**HARWIN**

www.harwin.com

**TOLERANCES**  
 X. = ±1mm  
 X.X = ±0.50mm  
 X.XX = ±0.20mm  
 X.XXX = ±0.01mm  
 ANGLES = ±5°  
 UNLESS STATED

THIS DRAWING AND ANY INFORMATION OR DESCRIPTIVE MATTER SET OUT HEREON ARE CONFIDENTIAL AND COPYRIGHT PROPERTY OF THE HARWIN GROUP AND MUST NOT BE DISCLOSED, LOANED, COPIED OR USED FOR MANUFACTURING, TENDERING OR FOR ANY OTHER PURPOSE WITHOUT THEIR WRITTEN PERMISSION.

**MATERIAL:**  
 SEE SHEET 4

**TITLE:**  
 SMT COIN CELL HOLDER  
 FOR CR2032 TAPE & REELED

**DRAWING NUMBER:**  
 S8421-45R

SHT  
 3  
 OF  
 4

# Customer Information Sheet

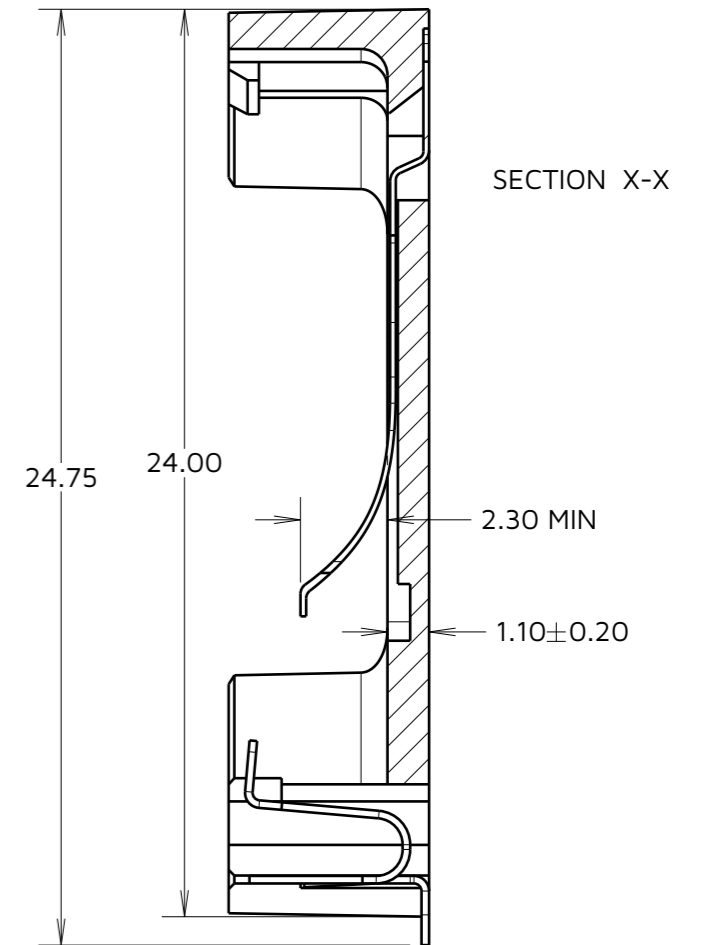
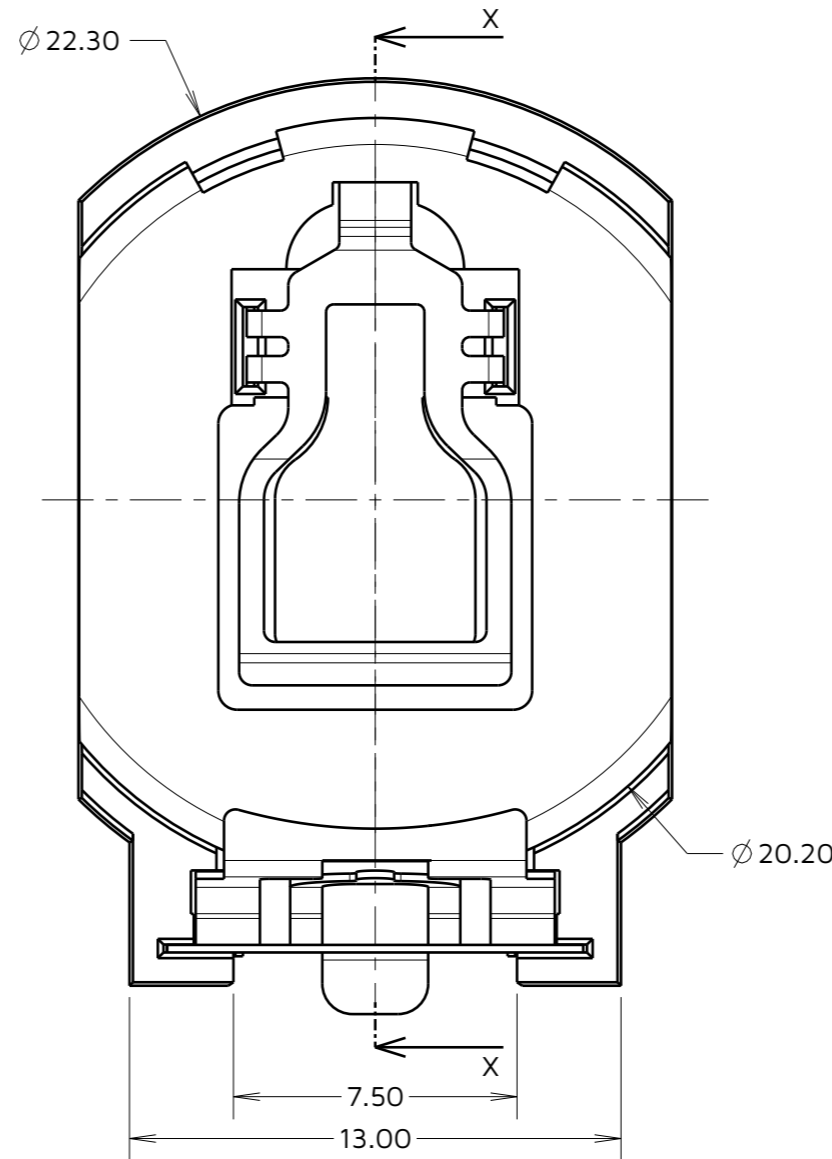
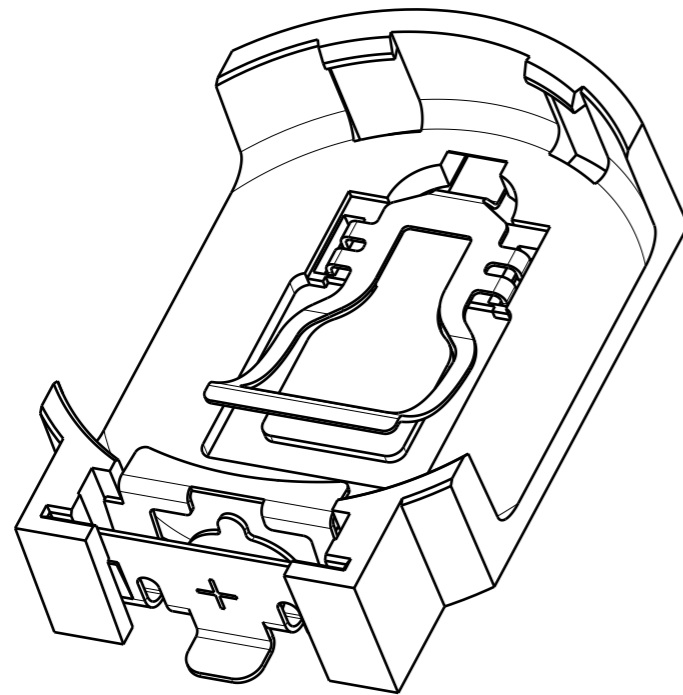
IF IN DOUBT - ASK

©

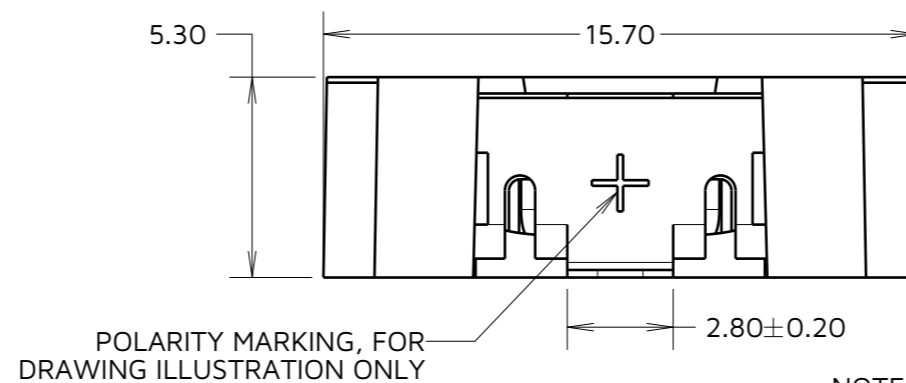
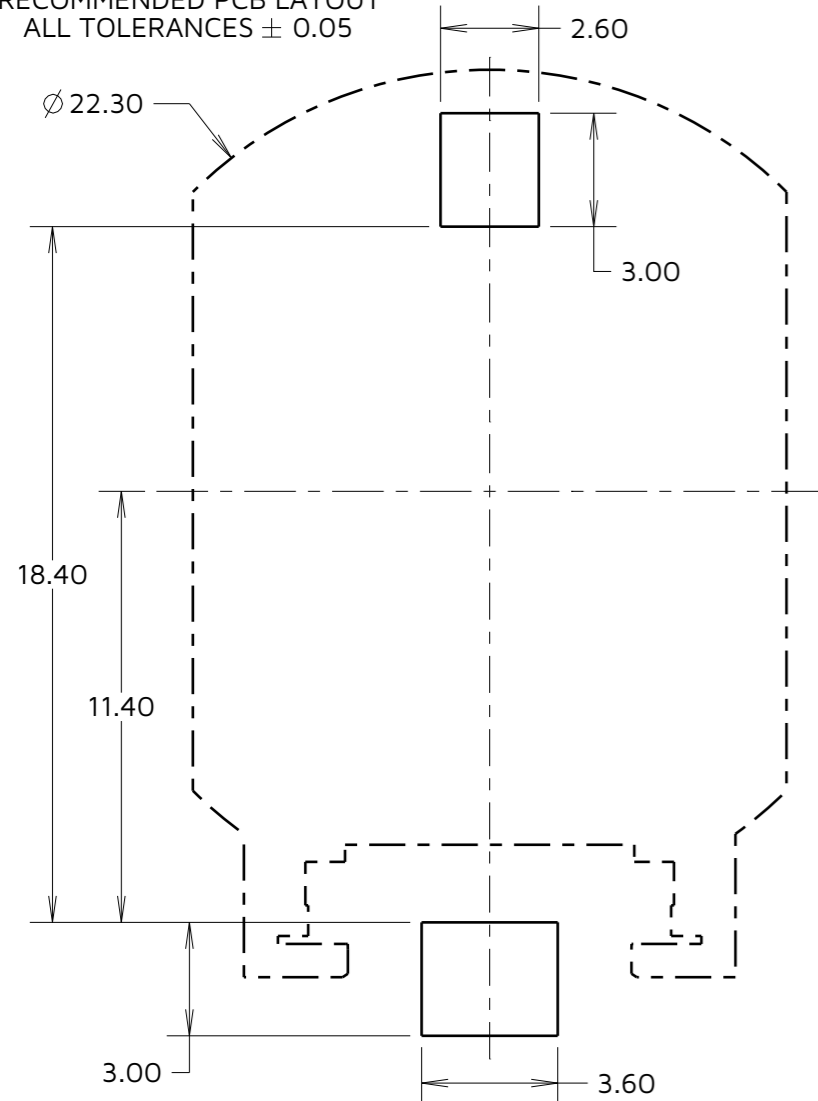
NOT TO SCALE

THIRD ANGLE PROJECTION

ALL DIMENSIONS IN mm



RECOMMENDED PCB LAYOUT  
ALL TOLERANCES ± 0.05



SPECIFICATIONS:  
 MATERIAL:  
 MOULDING: PPS 30% G/F, UL94V-0, BROWN  
 CONTACT: PHOSPHOR BRONZE  
 FINISH:  
 CONTACTS = GOLD FLASH  
 ELECTRICAL:  
 CONTACT RESISTANCE = 30mΩ MAX  
 INSULATION RESISTANCE = 1000MΩ MIN  
 DIELECTRIC VOLTAGE = 220V AC FOR 1 MINUTE  
 ENVIRONMENTAL:  
 OPERATING TEMPERATURE = -55° C TO +85° C

POLARITY MARKING, FOR  
DRAWING ILLUSTRATION ONLY

- NOTES:  
 1. SUITABLE FOR THE FOLLOWING COIN CELL: CR2032.  
 2. ALL TOLERANCES ARE ±0.30 UNLESS OTHERWISE STATED.

MGP	7	20.09.23	33065
NAME	ISS.	DATE	CN/CO
APPROVED: MGP			
CHECKED: FC			
DRAWN: R.ADDE			
ASSEMBLY DRG:			

**HARWIN**

www.harwin.com

TOLERANCES  
 X = ±1mm  
 X.X = ±0.50mm  
 X.XX = ±0.20mm  
 X.XXX = ±0.01mm  
 ANGLES = ±5°  
 UNLESS STATED

THIS DRAWING AND ANY INFORMATION OR DESCRIPTIVE MATTER SET OUT HEREON ARE CONFIDENTIAL AND COPYRIGHT PROPERTY OF THE HARWIN GROUP AND MUST NOT BE DISCLOSED, LOANED, COPIED OR USED FOR MANUFACTURING, TENDERING OR FOR ANY OTHER PURPOSE WITHOUT THEIR WRITTEN PERMISSION.

MATERIAL:  
  
SEE ABOVE

TITLE:  
**COIN CELL HOLDER  
FOR CR2032**

DRAWING NUMBER:  
**S8421-45R**

SHT  
4  
OF  
4