

Clip-On Brackets and Bracket Accessory Kits for Slides

Pairs of Clip-On Brackets DZ 633 for Slides 2109, 2132, 3732 and 3832

Material:

Steel, bright zinc-plated.

Can be used for:

- Type DZ 2109 (page 583).
- Type DZ 2132 (page 586).
- Type DZ 3732 (page 593).
- Type DZ 3832 (page 600).
- Type DZ 3832 DO (page 601).
- Type DZ 3832 SC (page 602).

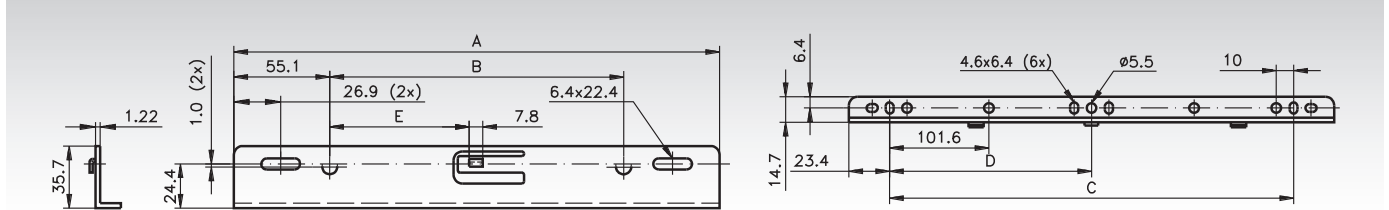
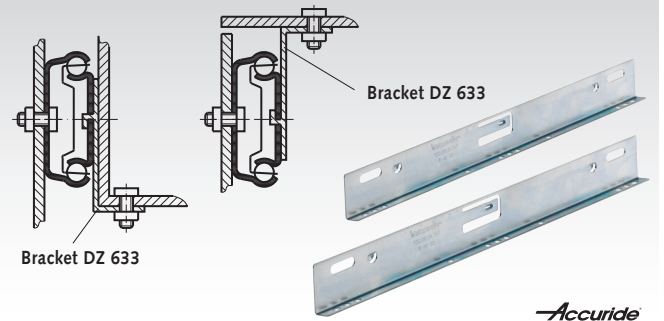
Per pair of slides, one pair of clip-on brackets is required.

Recommended mounts: M4 screw.

Temperature range: -20°C to +110°C.

Ordering details: e.g.: Prod. No. 649 020 35, 1 Pair of Clip-On Brackets DZ 633, Zinc-plated, 346.7 mm long

Monting Examples



Product No. Pair of Brackets DZ-zinc bright	can be used for Type 2109/2132 with slide length	can be used for Types 3732/3832 with slide length	A mm	B mm	C mm	D mm	E mm	Weight per Pair kg
649 020 35	-	350	346,7	236,5	300	150	114,4	0,34
649 020 40	400	400	396,7	286,6	350	175	139,4	0,38
649 020 45	450/600/650/700	450	446,8	336,6	400	200	164,4	0,42
649 020 50	500	500	496,8	386,6	450	225	189,4	0,48
649 020 55	550	550/600/650/700	546,8	436,6	500	250	214,4	0,52

Bracket Accessory Kits DZ 634 for Slides DZ 9301 E and DZ 9308

Material: Steel, bright zinc-plated.

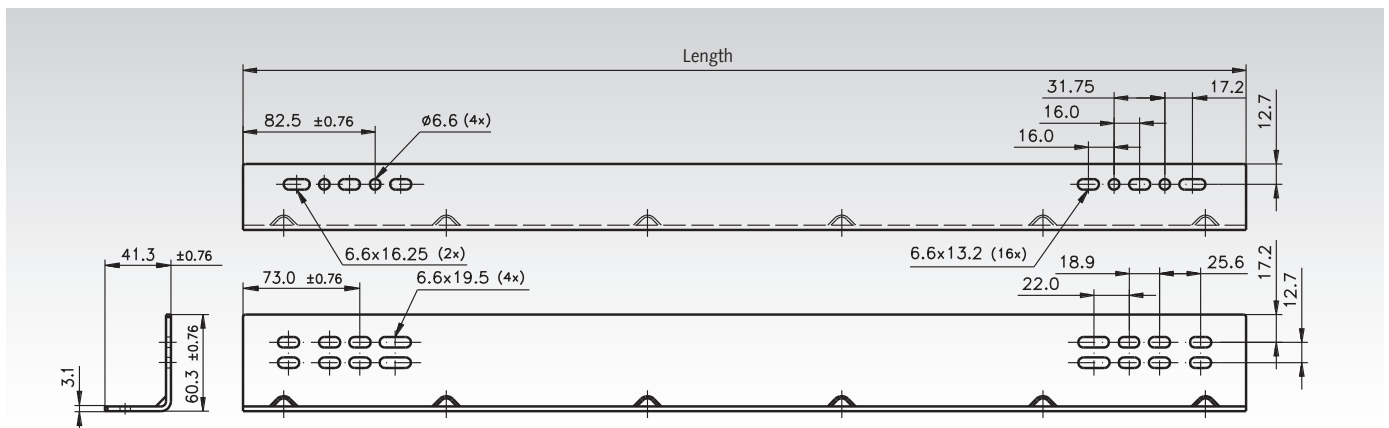
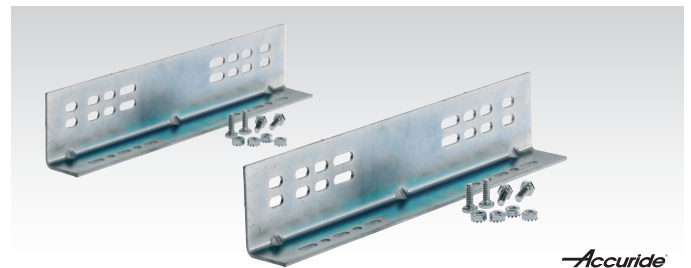
Each kit comprises: 2 brackets and 4 hexagon screws 6.35 mm with washers and nuts.

Bracket accessory kits for side or bottom mounting (examples and amount of bracket accessory kits required see selection table page 631).

Can be used for: Type DZ 9301 E (page 626) and Type DZ 9308 (page 624).

Temperature range: -20°C to +110°C.

Ordering details: e.g.: Prod. No. 649 056 12, Bracket Kit DZ 634, 305 mm long



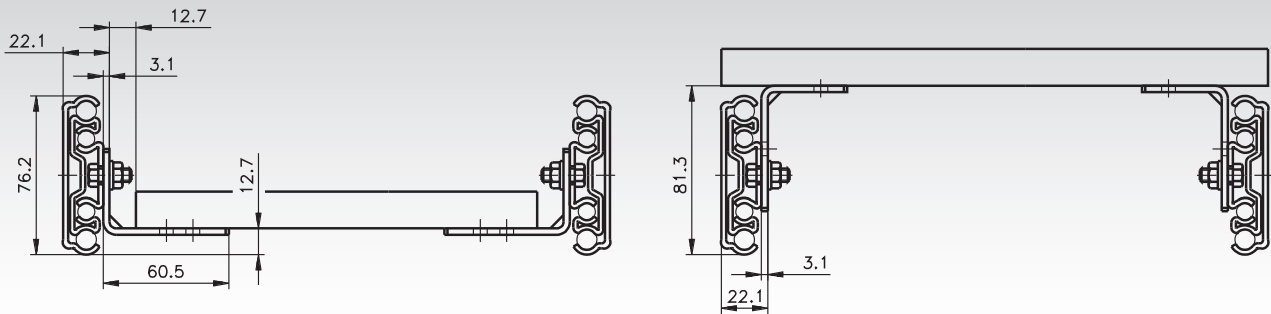
Product No. Kit*	Length mm	Width mm	Height mm	Weight kg	Product No. Kit*	Length mm	Width mm	Height mm	Weight kg
649 056 12	305	41,3	60,3	1,3	649 056 22	559	41,3	60,3	2,4
649 056 16	406	41,3	60,3	1,7	649 056 28	711	41,3	60,3	3,1

* Amount of kits required for each pair of slides see selection table page 631.

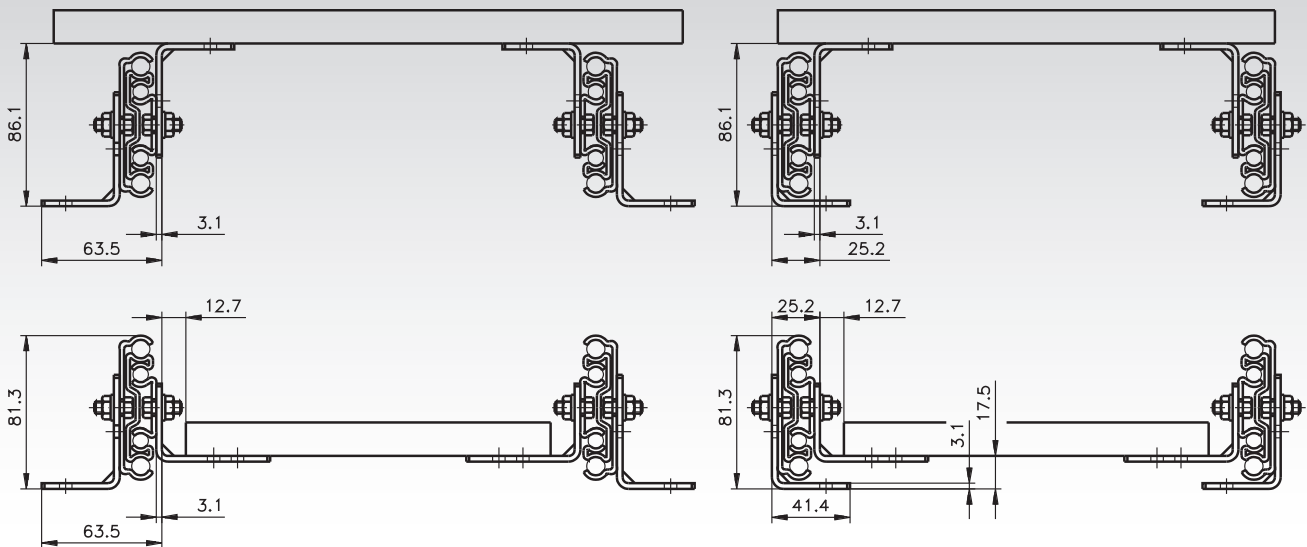
Bracket Accessory Kits DZ 634: Mounting Examples and Selection Table

For bracket accessory kits DZ 634 (page 630) with slides DZ 9301 E (page 626) or DZ 9308 (page 624).

Examples Side Mounting



Examples Bottom Mounting



Selection Table

Pair of Slides DZ 9301 E	Pair of Slides DZ 9308 left / right	Slide Length mm	Side Mounting Required Bracket Kits, Amount and Product No.	Bottom Mounting Required Bracket Kits, Amount and Product No.
649 050 12	649 052 12 / 649 054 12	304,8	1 x 649 056 12	2 x 649 056 12
649 050 14	649 052 14 / 649 054 14	355,6	1 x 649 056 12	2 x 649 056 12
649 050 16	649 052 16 / 649 054 16	406,4	1 x 649 056 16	2 x 649 056 16
649 050 18	649 052 18 / 649 054 18	457,2	1 x 649 056 16	2 x 649 056 16
649 050 20	649 052 20 / 649 054 20	508,0	1 x 649 056 16	2 x 649 056 16
649 050 22	649 052 22 / 649 054 22	558,8	1 x 649 056 22	2 x 649 056 22
649 050 24	649 052 24 / 649 054 24	609,6	1 x 649 056 22	2 x 649 056 22
649 050 26	649 052 26 / 649 054 26	660,4	1 x 649 056 22	2 x 649 056 22
649 050 28	649 052 28 / 649 054 28	711,2	1 x 649 056 28	2 x 649 056 28
649 050 30	649 052 30 / 649 054 30	762,0	1 x 649 056 28	2 x 649 056 28
649 050 32	649 052 32 / 649 054 32	812,8	1 x 649 056 28	2 x 649 056 28
649 050 34	649 052 34 / 649 054 34	863,6	2 x 649 056 12	4 x 649 056 12
649 050 36	649 052 36 / 649 054 36	914,4	2 x 649 056 12	4 x 649 056 12
649 050 40	649 052 40 / 649 054 40	1016,0	1 x 649 056 12 & 1 x 649 056 22	2 x 649 056 12 & 2 x 649 056 22
649 050 42	649 052 42 / 649 054 42	1066,8	1 x 649 056 12 & 1 x 649 056 22	2 x 649 056 12 & 2 x 649 056 22
649 050 48	649 052 48 / 649 054 48	1219,2	1 x 649 056 12 & 1 x 649 056 28	2 x 649 056 12 & 2 x 649 056 28
649 050 60	649 052 60 / 649 054 60	1524,0	1 x 649 056 22 & 1 x 649 056 28	2 x 649 056 22 & 2 x 649 056 28