

## Slides DZ 5321, width 19.1 mm, up to 160 kg, Over-Extension

### Material:

Slide elements: Cold-rolled, bright zinc-plated steel.

Ball retainers: Cold rolled steel, zinc-plated.

Balls: Hardened steel.

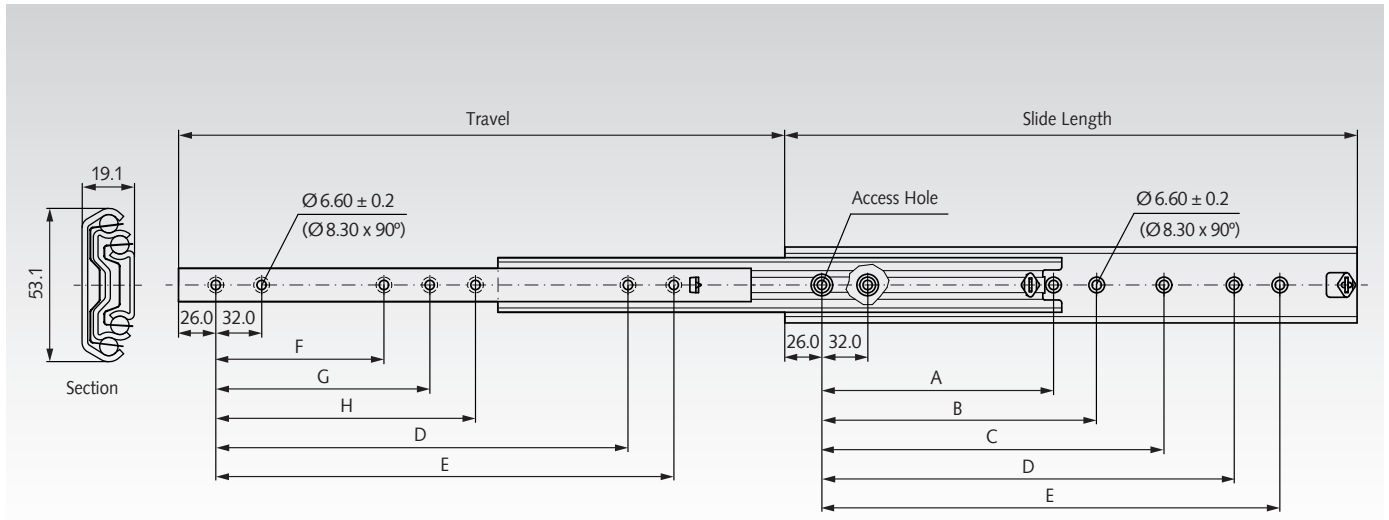
Telescopic precision ball bearing slides for applications in the industrial and electronics sector.

- Hold-in in the closed position.
- Mounting bracket for electronic cabinets on request.
- Service life 10,000 / 80,000 cycles.
- Temperature range: -20°C to +70°C.



Accuride

Ordering Details: e.g.: Product No. 649 040 30, Slides DZ 5321



Product No. per Pair DZ 5321	Slide Length mm	Travel +/-3,2 mm	A mm	B mm	C mm	D mm	E mm	F mm	G mm	H mm	Load Rating <sup>1)</sup> per pair kg	Weight per pair kg
649 040 30	300	323,5	-	-	-	192	224	-	-	-	130 / 120	1,73
649 040 35	350	373,5	-	-	-	224	256	-	-	-	140 / 120	2,04
649 040 40	400	423,5	-	160	192	288	320	128	160	-	150 / 130	2,34
649 040 45	450	473,5	-	160	192	320	352	128	160	-	160 / 140	2,64
649 040 50	500	523,5	-	192	224	384	416	160	192	-	160 / 140	2,94
649 040 55	550	573,5	-	192	224	416	448	160	192	-	160 / 140	3,25
649 040 60	600	623,5	-	256	288	480	512	192	256	-	150 / 120	3,55
649 040 70	700	723,5	288	320	544	576	608	256	288	544	130 / 110	4,16
649 040 80	790	803,5	-	352	384	672	704	320	352	384	100 / 100	4,72
649 040 90	900	923,5	-	448	480	768	800	384	384	416	90 / 80	5,33
649 040 99	1000	1023,5	448	480	512	864	896	448	480	-	80 / 70	5,87
649 040 11	1100	1123,5	448	544	576	992	1024	480	480	512	70 / 60	6,39

<sup>1)</sup> At 10,000 / 80,000 cycles.

### Note

Recommended mount: M5 countersunk / 6mm countersunk euro screw.

Use all mounting positions to achieve the max. load rating.

Attention: Vertical mounting only.