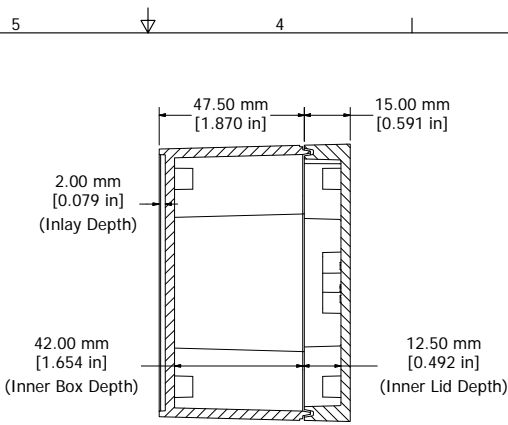
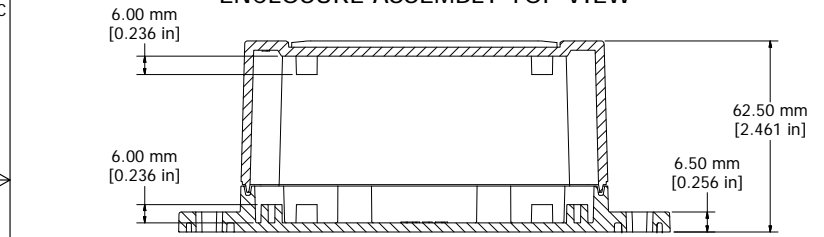
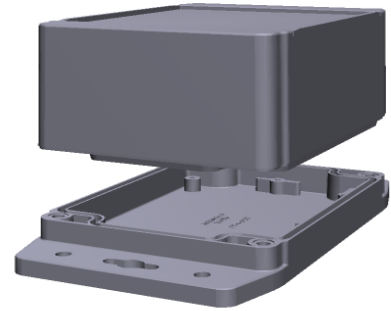


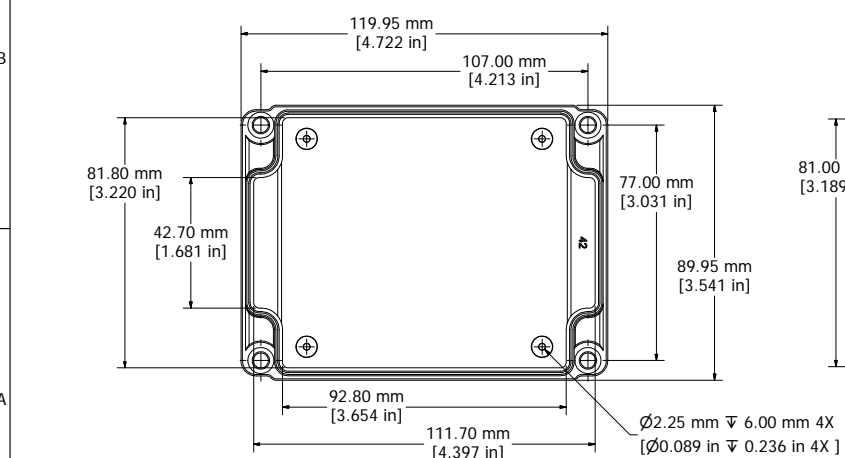
ENCLOSURE ASSEMBLY TOP VIEW



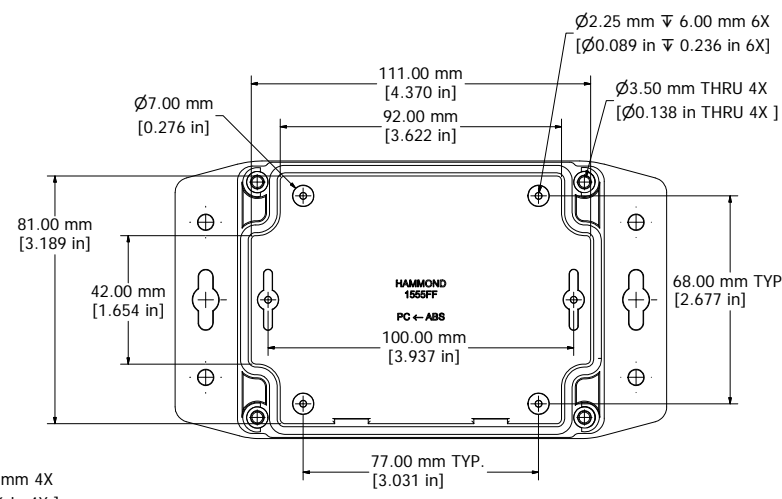
SECTION A-A
END VIEW OF ASSEMBLY



SECTION B-B (SIDE VIEW OF ASSEMBLY)



BOX INSIDE VIEW



FLANGED LID INSIDE VIEW

Polycarbonate Version Only
UL US LISTED
 File #E65324
 NEMA 4, 4X

Enclosures can be Factory Modified (Milling, Drilling, Printing etc.)
 Solid models of this enclosure available in STEP or IGES.
 Contact Factory mjm@hammondmfg.com

NOTE	
Purchased assembly includes styled box, flanged lid, 4 cover screws, and preformed silicone gasket.	
General Purpose ABS version is not UL approved. (Matl UL94 - HB)	
Polycarbonate version is UL 508 approved. (Matl UL94 - VO)	
Recommended Cover screw torque -- 2.5 lbf-in (30 cN-m)	

1555FF	
1555FF Regular Enclosure	
General Purpose ABS RAL-7035	1555FF42GY
Polycarbonate RAL-7035	1555F2F42GY
ACCESSORIES	
Steel Inner Panels	1555FFPL
Steel Panel / P.C. Board Self Tapping Screw [#6 X 1/4" (6.4mm) Plated]	1598ATS100
Cover Screws (Pkg 4) [M4 X 20mm Stainless Steel]	SC1554

