

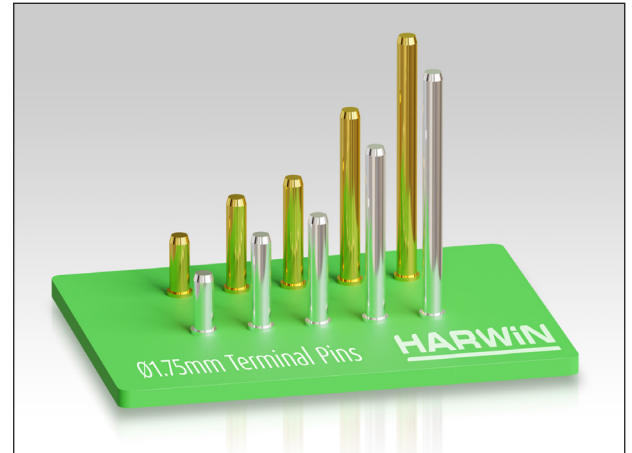
# Ø1.75mm Terminal Pins

Durable single contact connections for board-to-board applications

These terminal pins are ideal for strong and durable single point connections for ultra-low profile and offset height board-to-board connections. Robust Ø1.75mm pin thickness resists accidental damage. Five lengths of terminal pin for varying the distance between mating PCBs, allowing for wider tolerance gaps than many multi-pin connections. Also suitable as PCB location pegs or grounding connections for stacked board configurations. Available with finish choices in hard gold or tin over nickel.

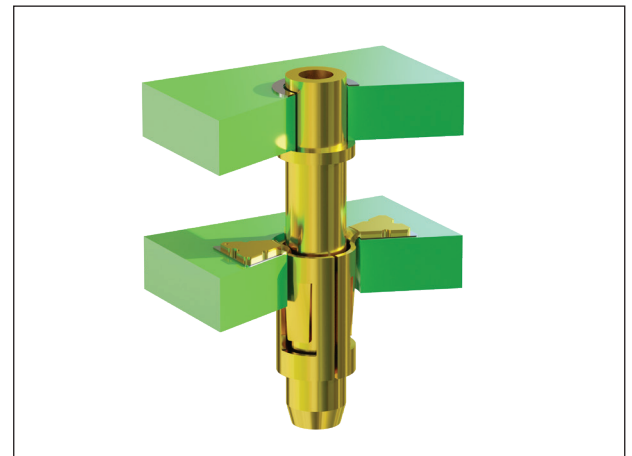
**Compatible With:**

- S9101-46R – Twin Beam top entry SMT PCB Socket with 2 contact points, tin finish
- S9111-45R – SYCAMORE Contact, gold finish, Top entry SMT PCB Socket with 3 contact points
- S9121-45R – SYCAMORE Contact, gold finish, Bottom entry SMT PCB Socket with 3 contact points



Five different mating lengths in Gold and Tin finishes

Features and Benefits	
Ø1.75mm mating pin diameter	Compatible with existing Harwin sockets and other industry PCB connections
Chamfered mating edge	Minimize impact and wear on mating surfaces
Rear drilled hole, can be used for swaging	For added mechanical retention if required before soldering
Designed for 1.6mm PCB thickness	Suitable for common PCB types and wave soldering techniques



Compatible with SYCAMORE contacts

Key Applications	
Fire and Security	Gas and smoke detectors, CCTV systems, handheld IR cameras
Industrial	Factory robotics, Remote operating modules, PCB stacking and grounding
Space	Satellites & CubeSats, launch peripherals, remote sensors and detection equipment
Defense & Security	UAVs, UUV and other ROV, handheld portable equipment, rugged vehicle electronics

**How to Order**

**H218 X - XX**

<b>SERIES CODE</b>					<b>FINISH</b>		
					<b>01</b>	Tin	
<b>MATING LENGTH</b>					<b>05</b>		Gold
<b>1</b>	5.00mm (0.197")	<b>4</b>	15.30mm (0.602")				
<b>2</b>	8.10mm (0.319")	<b>5</b>	21.65mm (0.852")				
<b>3</b>	9.50mm (0.374")						



**Harwin Europe (Global Headquarters)**

Portsmouth, Hampshire, UK

E: [mis@harwin.co.uk](mailto:mis@harwin.co.uk)

T: +44 (0)23 9231 4545

**Harwin Inc (Americas)**

New Albany, Indiana, USA

E: [mis@harwin.com](mailto:mis@harwin.com)

T: +1 603 893 5376

**Harwin Asia Pte Ltd (Asia, Australasia)**

Singapore

E: [mis@harwinasia.com](mailto:mis@harwinasia.com)

T: +65 6 779 4909