

91067-2 ✓ ACTIVE

TE Internal #: 91067-2

TE Internal Description: INSERTION/EXTRACTION TOOL

Mil-Spec: [M81969/1-02]

[View on TE.com >](#)



## Product Compliance

[For compliance documentation, visit the product page on TE.com>](#)

EU RoHS Directive 2011/65/EU	Not Compliant
EU ELV Directive 2000/53/EC	Not Compliant
China RoHS 2 Directive MIIT Order No 32, 2016	Restricted Materials Above Threshold
EU REACH Regulation (EC) No. 1907/2006	Current ECHA Candidate List: JUL 2021 (219) Candidate List Declared Against: JAN 2021 (211) SVHC > Threshold: Not Yet Reviewed
Halogen Content	Low Halogen - Br, Cl, F, I < 900 ppm per homogenous material. Also BFR/CFR/PVC Free
Solder Process Capability	Not applicable for solder process capability

### Product Compliance Disclaimer

This information is provided based on reasonable inquiry of our suppliers and represents our current actual knowledge based on the information they provided. This information is subject to change. The part numbers that TE has identified as EU RoHS compliant have a maximum concentration of 0.1% by weight in homogenous materials for lead, hexavalent chromium, mercury, PBB, PBDE, DBP, BBP, DEHP, DIBP, and 0.01% for cadmium, or qualify for an exemption to these limits as defined in the Annexes of Directive 2011/65/EU (RoHS2). Finished electrical and electronic equipment products will be CE marked as required by Directive 2011/65/EU. Components may not be CE marked. Additionally, the part numbers that TE has identified as EU ELV compliant have a maximum concentration of 0.1% by weight in homogenous materials for lead, hexavalent chromium, and mercury, and 0.01% for cadmium, or qualify for an exemption to these limits as defined in the Annexes of Directive 2000/53/EC (ELV). Regarding the REACH Regulation, the information TE provides on SVHC in articles for this part number is based on the latest European Chemicals Agency (ECHA) 'Guidance on requirements for substances in articles' posted at this URL: <https://echa.europa.eu/guidance-documents/guidance-on-reach>

## Compatible Parts



TE Part # 212561-2  
CONN SAVER,SZ 3,AMPLIMITE



TE Part # 206801-2  
AMPLIMITE RECEPT ASSY,25 POS



TE Part # 207253-2  
RECEPT ASSY,9 POSN,AMPLIMITE



TE Part # 206800-2  
PLG ASSY,25 POS,AMPLIMITE



TE Part # 1-208778-0  
AMPLIMITE,SKT CONT,SZ 20



TE Part # 206802-1  
PLUG ASSY,37 POSN,AMPLIMITE



TE Part # 212559-2  
CONN SAVER, 9 POSN,AMPLIMITE



TE Part # 212560-2  
CONN SAVER,15 POSN,AMPLIMITE



TE Part # 212562-2  
AMPLIMITE CONN SVR,37 POS,TRW



TE Part # 211638-4  
HD109 9 POS GMT ASSY PLUG



TE Part # 448815-1  
AMPLIMITE,ASSY,PLUG,109,NM,CS,1



TE Part # 448816-2  
AMPLIMITE,ASSY,RCPT,109,NM,CS,2



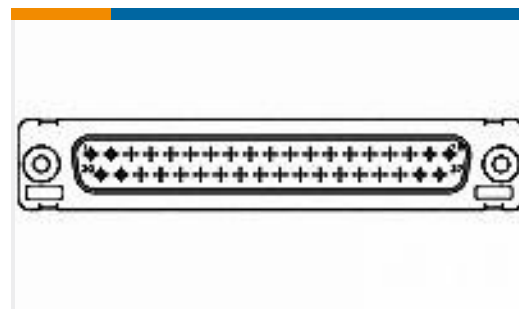
TE Part # 211634-4  
GMT ASSY,RCPT 15 POSN,AMPLIMITE



TE Part # 448816-1  
AMPLIMITE,ASSY,RCPT,109,NM,CS,1



TE Part # 206803-1  
AMPLIMITE RECEPT ASSY,37 POS,



TE Part # 1484949-1  
AMPLIMITE RPT ASSY,37P,SZ4,SER109



TE Part # 206801-1  
AMPLIMITE RECEPT ASSY,25 POS



TE Part # 211633-4  
HD109 9 POS GMT ASSY RCPT

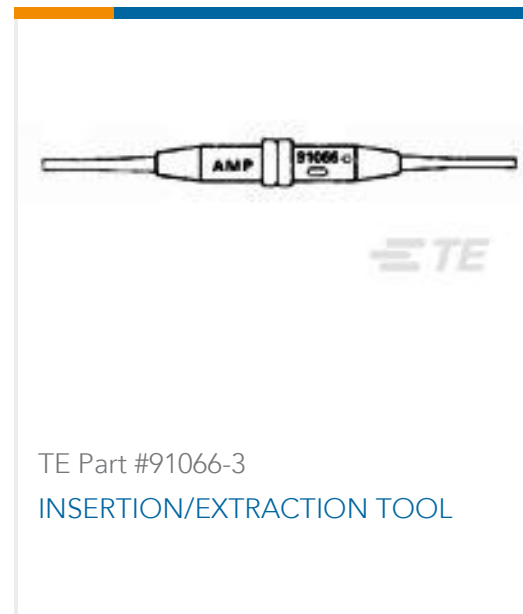
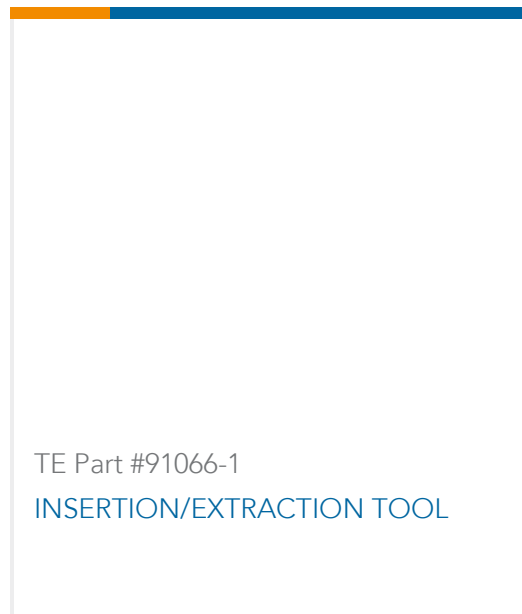
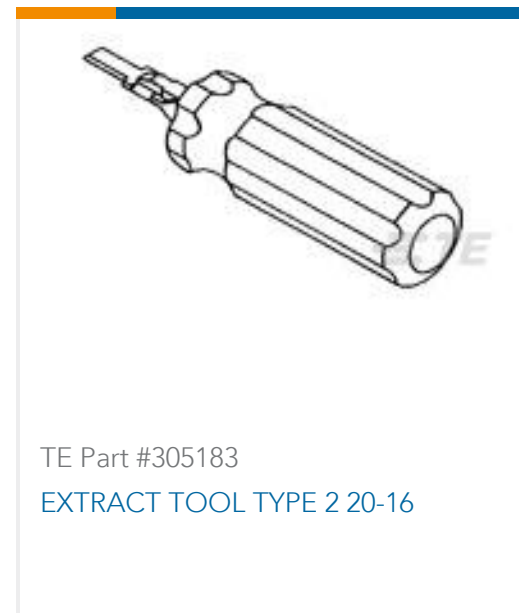


TE Part # 211635-4  
HD109 25 POS GMT ASSY RCPT



TE Part # 211637-4  
HD109 50 POS GMT ASSY RCPT

## Customers Also Bought



## Documents

### Product Drawings

[INSERTION/EXTRACTION TOOL](#)

English

### Instruction Sheets

[Instruction Sheet \(U.S.\)](#)

English

[Instruction Sheet \(U.S.\)](#)

English