

Float Sensor Switch

multicomp PRO

**RoHS
Compliant**



Features

- Polypropylene housing
- Mains voltage variant
- FDA test passed
- Covers a wide range of applications
- Customized types available

Electrical Characteristics @ 25°C

Contact form		B
Contact rating max.	W / VA	50
Switching voltage max.	V DC	200
	V AC	250
Switching current max.	A	1.5
Carry current max.	A	2
Breakdown voltage min.	V DC	400
Total resistance max.	mΩ	150

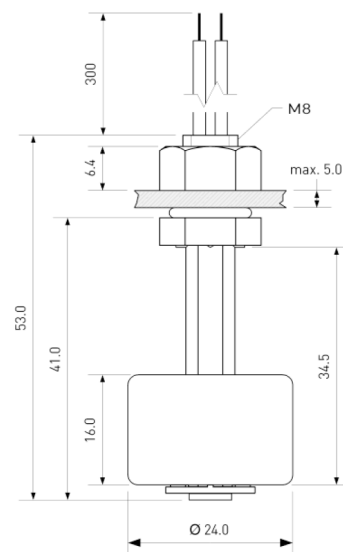
Environmental Characteristics

Operating temperature	°C	-20 to +80
Storage temperature	°C	-20 to + 80

Mechanical Characteristics

Density of float typ.*	g / cm ³	0.7
Recommended minimum gravity of medium	g / cm ³	Density of float + 20%

Diagram



Dimensions : Millimetres

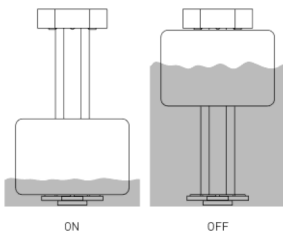
Newark.com/multicomp-pro
Farnell.com/multicomp-pro
sg.element14.com/b/multicomp-pro

multicomp PRO

Float Sensor Switch

Material Information		
	Material	Colour
HOUSING	PP	white
Cable	UL 1007, AWG 22, 4 mm stripped and tinned	white
Nuts	PA66, M8, 1 pc preassembled	white
Float	PP foam	white
Potting	PU / Epoxy	black
Sealing ring	Silicone	white

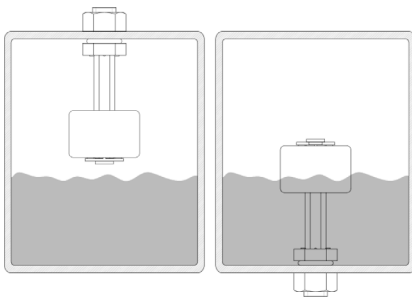
Operation View



Remarks

When mounted near ferromagnetic parts switching distance of MP011264 may vary. Electromagnetical influences and magnetic fields may change the switching behaviour of the Level Sensor. MP011264

Mounting



When mounted stem up, operating functions are reversed.

Part Number Table

Description	Part Number
Sensor, Float Switch, Vertical, Normally Closed, 250V	MP011264

Important Notice : This data sheet and its contents (the "Information") belong to the members of the AVNET group of companies (the "Group") or are licensed to it. No licence is granted for the use of it other than for information purposes in connection with the products to which it relates. No licence of any intellectual property rights is granted. The Information is subject to change without notice and replaces all data sheets previously supplied. The Information supplied is believed to be accurate but the Group assumes no responsibility for its accuracy or completeness, any error in or omission from it or for any use made of it. Users of this data sheet should check for themselves the Information and the suitability of the products for their purpose and not make any assumptions based on information included or omitted. Liability for loss or damage resulting from any reliance on the Information or use of it (including liability resulting from negligence or where the Group was aware of the possibility of such loss or damage arising) is excluded. This will not operate to limit or restrict the Group's liability for death or personal injury resulting from its negligence. Multicomp Pro is the registered trademark of Premier Farnell Limited 2019.