



STRUT NUT WITH SPRING, CHANNEL TYPE A, STEEL, HOT-DIP GALVANIZED

CATALOG NUMBER

SPRAM6HD



FEATURES

Used to create metal frames with nVent CADDY Eristrut channels

Spring allows for easy installation

PRODUCT ATTRIBUTES

Article Number: 315080

Material: Steel

Finish: Hot-Dip Galvanized

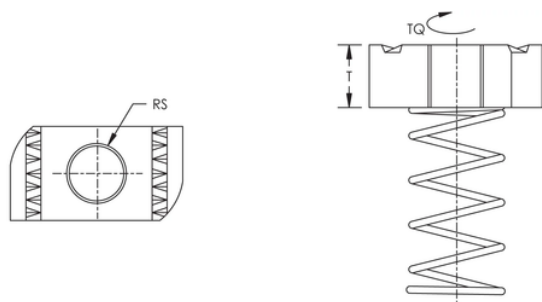
Static Load Safety Factor: 3:1

Rod Size: M6

Thickness: 6 mm

Torque: 12 N-m

DIAGRAMS



Pull-Out Strength			
Part Number	Channel Thickness		
	2,5 mm	2 mm	1,5 mm
SPRAM6xx	2000 N	2000 N	2000 N
SPRAM8xx	3330 N	3330 N	3330 N
SPRAM10xx	4890 N	4440 N	4440 N
SPRAM12xx	4890 N	4660 N	4440 N
SPRAM12Txx	5670 N	5050 N	4440 N

WARNING

nVent products shall be installed and used only as indicated in nVent's product instruction sheets and training materials. Instruction sheets are available at www.nvent.com and from your nVent customer service representative. Improper installation, misuse, misapplication or other failure to completely follow nVent's instructions and warnings may cause product malfunction, property damage, serious bodily injury and death and/or void your warranty.

Noord-Amerika

+1.800.753.9221

Optie 1 - de Zorg van de Klant

Optie 2 - Technische Steun

Europa

Nederland:

+31 800-0200135

Frankrijk:

+33 800 901 793

Europa

Duitsland:

800 1890272

Andere Landen:

+31 13 5835404

APAC

Shanghai:

+ 86 21 2412 1618/19

Sydney:

+61 2 9751 8500



Onze krachtige portefeuille van merken:

nVent.com CADDY ERICO HOFFMAN RAYCHEM SCHROFF TRACER

© nVent 2022. Alle nVent tekens en emblemen worden bezeten of door de nVent Diensten GmbH of zijn filialen vergunning gegeven. Alle andere handelsmerken zijn het bezit van hun respectieve eigenaars.

nVent reserves het recht specificaties zonder bericht te veranderen.