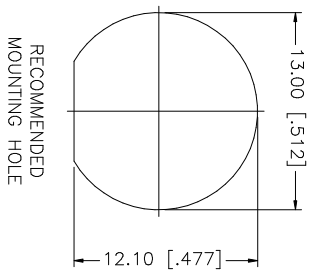
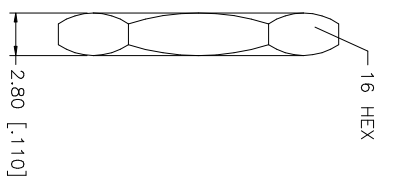
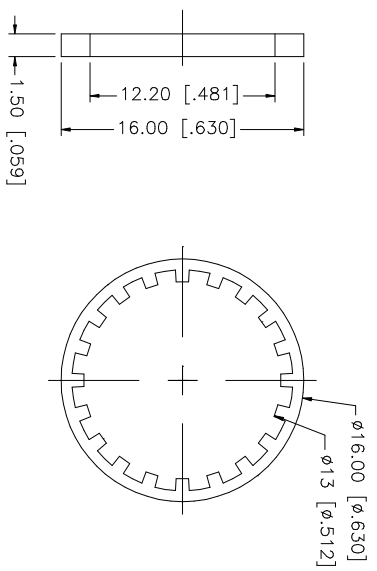
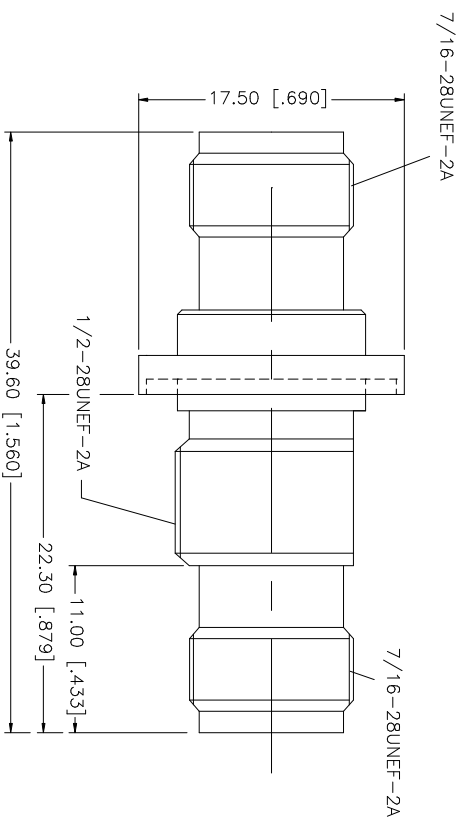


REV.	DATE	DESCRIPTION
NC	05/25/04	INITIAL RELEASE



QTY	DESCRIPTION	MATERIAL	FINISH	FINISH	QTY	DO NOT SCALE DRAWING	UNLESS OTHERWISE SPECIFIED DIMENSIONS ARE IN MILLIMETERS. DIMENSIONS IN [] ARE IN INCHES AND FOR CUSTOMER REFERENCE ONLY. UNLESS OTHERWISE SPECIFIED TOLERANCES FOR MILLIMETERS ARE: 0.5 - 8mm ± 0.20mm 8 - 30mm ± 0.40mm 30 - 120mm ± 0.50mm UNLESS OTHERWISE SPECIFIED TOLERANCES FOR INCHES ARE: .020 - .315 = ± 0.007" .315 - 1.180 = ± 0.015" 1.180 - 4.724 = ± 0.020"
1	HEX NUT	BRASS	NICKEL	NICKEL	1		
1	LOCK WASHER	BRASS	NICKEL	NICKEL	1		
1	GASKET	RUBBER	RED	RED	1		
1	CONTACT PIN	PHOS. BRONZE	GOLD	GOLD	1		
1	INSULATOR	DELFIN	NATURAL	NATURAL	1		
1	BODY	BRASS	NICKEL	NICKEL	1		
	DESCRIPTION	MATERIAL	FINISH	FINISH	QTY	DO NOT SCALE DRAWING	

Amphenol Connex

PART DESCRIPTION
TNC FEMALE TO FEMALE BULKHEAD ADAPTOR

PART NO. 122340

APPROVALS	DATE
DRAWN G.R.S.	05/25/04
CHECKED	
ISSUED	
SHEET 1 OF 1	

CAD FILE C:/122/122340.DWG

DWG. NO. 122340.DWG REV. NC SIZE A SCALE NA