

103682-5 ✓ ACTIVE

AMPMODU | AMPMODU MTE

TE Internal #: 103682-5

AMPMODU MTE, PCB Connector Shrouds, Shroud, Mating

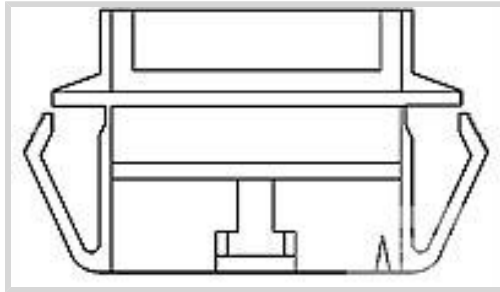
Alignment, 6 Position, 1 Row, 6 Columns, Product Length 28.83 mm

[1.135 in]

[View on TE.com >](#)



Connectors > PCB Connectors > PCB Connector Accessories > Protection & Strain Relief > PCB Connector Shrouds



Connector Mounting Accessory Type: **Shroud**

Mating Alignment: **With**

Number of Positions: **6**

Number of Rows: **1**

Number of Columns: **6**

Features

Product Type Features

Connector Mounting Accessory Type	Shroud
Sealable	No

Configuration Features

Number of Positions	6
Number of Rows	1
Number of Columns	6

Electrical Characteristics

Termination Resistance	15 m Ω
Insulation Resistance	5000 M Ω
Dielectric Withstanding Voltage (Max)	600 V

Body Features

Shroud Color	Black
Shroud Material	Thermoplastic

Contact Features

CompactPCI	No
------------	----

Mechanical Attachment

Mating Alignment Type	Latched
PCB Mount Retention	Without



Mating Alignment	With
------------------	------

Dimensions

Product Length	28.83 mm[1.135 in]
Product Height	6.35 mm[.25 in]
Product Width	25.15 mm[.99 in]

Usage Conditions

Operating Temperature Range	-65 – 105 °C[-85 – 221 °F]
-----------------------------	----------------------------

Industry Standards

UL Flammability Rating	UL 94V-0
------------------------	----------

Packaging Features

Packaging Method	Package
------------------	---------

Other

Comment	Insert Pin Receptacle Assembly w/Guide Ribs (only) into shroud.
---------	---

Product Compliance

[For compliance documentation, visit the product page on TE.com>](#)

EU RoHS Directive 2011/65/EU	Compliant
EU ELV Directive 2000/53/EC	Compliant
China RoHS 2 Directive MIIT Order No 32, 2016	No Restricted Materials Above Threshold
EU REACH Regulation (EC) No. 1907/2006	Current ECHA Candidate List: JAN 2021 (211) Candidate List Declared Against: JAN 2021 (211) Does not contain REACH SVHC
Halogen Content	BFR/CFR/PVC Free, but Br/Cl >900 ppm in other sources.
Solder Process Capability	Not applicable for solder process capability

Product Compliance Disclaimer

This information is provided based on reasonable inquiry of our suppliers and represents our current actual knowledge based on the information they provided. This information is subject to change. The part numbers that TE has identified as EU RoHS compliant have a maximum concentration of 0.1% by weight in homogenous materials for lead, hexavalent chromium, mercury, PBB, PBDE, DBP, BBP, DEHP, DIBP, and 0.01% for cadmium, or qualify for an exemption to these limits as defined in the Annexes of Directive 2011/65/EU (RoHS2). Finished electrical and electronic equipment products will be CE marked as required by Directive 2011/65/EU. Components may not be CE marked. Additionally, the part numbers that TE has identified as EU ELV compliant have a maximum concentration of 0.1% by weight in homogenous materials for lead, hexavalent chromium, and mercury, and 0.01% for cadmium, or qualify for an exemption to these limits as defined in the Annexes of Directive 2000/53/EC (ELV). Regarding the REACH Regulation, the information TE provides

on SVHC in articles for this part number is based on the latest European Chemicals Agency (ECHA) 'Guidance on requirements for substances in articles' posted at this URL: <https://echa.europa.eu/guidance-documents/guidance-on-reach>

Compatible Parts



TE Part # 103648-5
06 MTE RCPT HSG SR RIB .100CL



TE Part # 104503-5
06 MTE PIN HSG SR RIB .100CL

Also in the Series | AMPMODU MTE



Board-to-Board Headers & Receptacles(23)



Insertion & Extraction Tools(2)



PCB Connector Shrouds(40)



Ribbon Connector Accessories(1)



Standard Rectangular Connectors(2)



Wire-to-Board Connector Assemblies & Housings(585)



Wire-to-Board Connector Contacts(32)

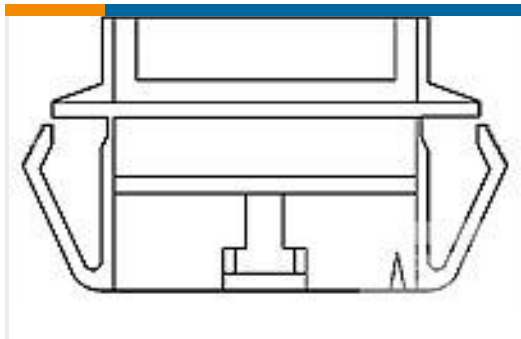


Wire-to-Board Headers & Receptacles (740)

Customers Also Bought



TE Part #9-1879213-6
CPF 0402 294R 0.1% 25PPM 1K RL



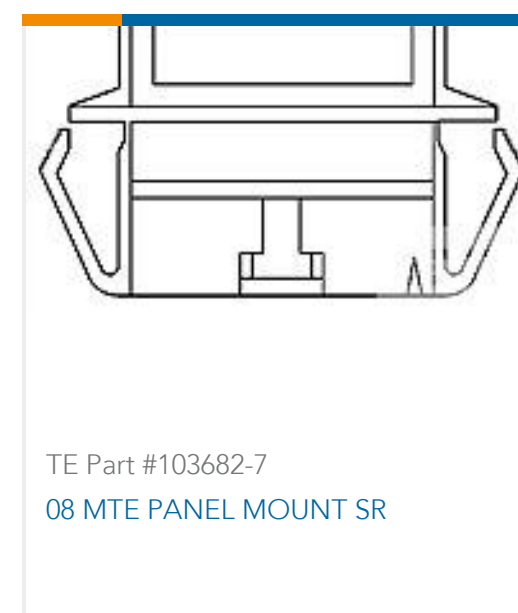
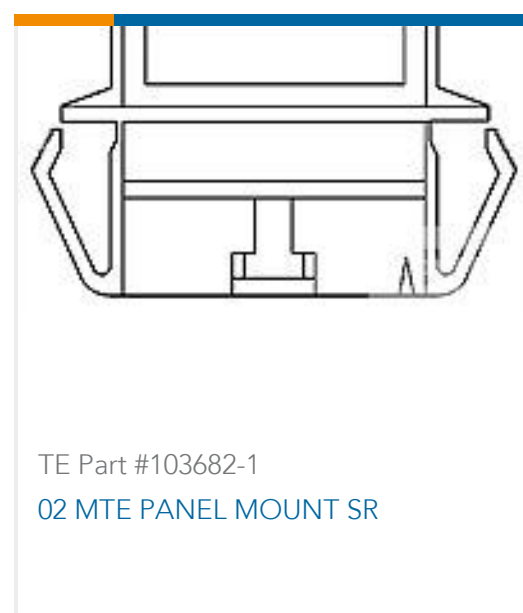
TE Part #103682-2
03 MTE PANEL MOUNT SR



TE Part #104503-5
06 MTE PIN HSG SR RIB .100CL



TE Part #1-745266-1
D-Sub Connector Contacts: Pin, Phosphor Bronze, Signal, Size 20



Documents

Product Drawings

06 MTE PANEL MOUNT SR

English

CAD Files

3D PDF

3D

Customer View Model

[ENG_CVM_CVM_103682-5_N.2d_dxf.zip](#)

English

Customer View Model

[ENG_CVM_CVM_103682-5_N.3d_igs.zip](#)

English

Customer View Model

[ENG_CVM_CVM_103682-5_N.3d_stp.zip](#)

English

By downloading the CAD file I accept and agree to the [Terms and Conditions](#) of use.

Datasheets & Catalog Pages

AMP MODU INTERCONNECTION SYSTEM_SECTION5_CONT

English

AMP MODU MTE Section of Catalog 1307819

English

AMP MODU MTE INTERCONNECT SYSTEM

English

Product Specifications



Application Specification

English

Instruction Sheets

Instruction Sheet (U.S.)

English