

# DTS24F13-04PN [V001] ✓ ACTIVE

DEUTSCH | DEUTSCH 38999 Series III

TE Internal #: YDTS24F13-04PNV001

Standard Circular Connectors, Cable-to-Panel, 4 Position, Sealable, Wire & Cable, Signal, Panel Mount, Electroless Nickel, Aluminum

[View on TE.com >](#)



Connectors > Circular Connectors > Standard Circular Connectors > D38999: Jam Nut, 13-04 Insert



Connector System: **Cable-to-Panel**

Number of Positions: **4**

Sealable: **Yes**

Connector & Contact Terminates To: **Wire & Cable**

Contact Current Rating (Max): **13 A**

[All D38999: Jam Nut, 13-04 Insert \(65\)](#)

## Features

### Product Type Features

Product Type	Connector
Connector System	Cable-to-Panel
Sealable	Yes
Connector & Contact Terminates To	Wire & Cable
Circular Connector Type	Receptacle
Shell Type	Jam Nut Receptacle

### Configuration Features

Number of Positions	4
Number of Power Positions	0
Number of Signal Positions	4
Contacts Preloaded	No

### Body Features

Shell Plating Material	Electroless Nickel
Shell Base Material	Aluminum
Circular Connector Insulation Material Type	Hard Dielectric/Silicone
Hermetically Sealed	No



### Contact Features

Contact Current Rating (Max)	13 A
Contact Layout Arrangement	13 – 4
Circular Connector Contact Type	Pin

### Mechanical Attachment

Connector Mounting Type	Panel Mount
Polarization Code	N
Mating Alignment Type	Keyed
Mating Retention	With

### Housing Features

Circular Connector Shell Size	13
Alignment Keyed	Clocking

### Dimensions

Wire Size	.52 – 1.31 mm <sup>2</sup>
-----------	----------------------------

### Usage Conditions

Operating Temperature Range	-65 – 200 °C[-85 – 392 °F]
-----------------------------	----------------------------

### Operation/Application

Circuit Application	Signal
Shielded	No

### Product Compliance

[For compliance documentation, visit the product page on TE.com>](#)

EU RoHS Directive 2011/65/EU	Compliant with Exemptions
EU ELV Directive 2000/53/EC	Compliant with Exemptions
China RoHS 2 Directive MIIT Order No 32, 2016	Restricted Materials Above Threshold
EU REACH Regulation (EC) No. 1907/2006	Current ECHA Candidate List: JUNE 2022 (224) Candidate List Declared Against: JAN 2022 (223) SVHC > Threshold: Pb (1.2% in Contact's Copper Alloy) Decamethylcyclopentasiloxane (D5) (5% in Insert Assembly)

#### Article Safe Usage Statements:

Do not eat, drink or smoke when using this product. Wash thoroughly after handling. Recycle if possible and dispose of the article by following all applicable governmental regulations relevant to your geographic location.

Halogen Content

Not Yet Reviewed for halogen content

Solder Process Capability

Not reviewed for solder process capability

Product Compliance Disclaimer

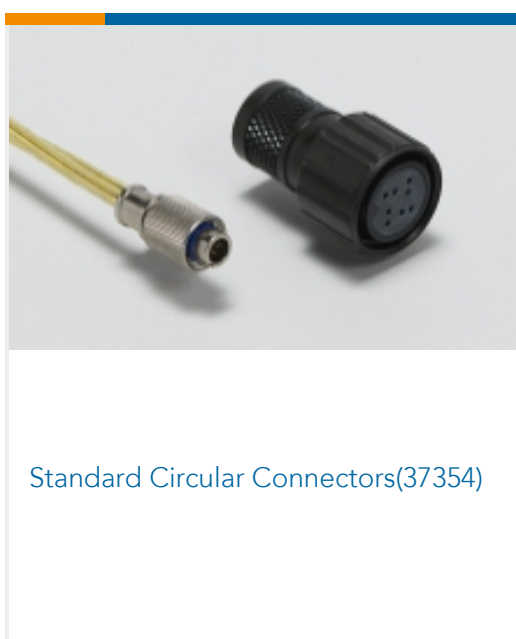
This information is provided based on reasonable inquiry of our suppliers and represents our current actual knowledge based on the information they provided. This information is subject to change. The part numbers that TE has identified as EU RoHS compliant have a maximum concentration of 0.1% by weight in homogenous materials for lead, hexavalent chromium, mercury, PBB, PBDE, DBP, BBP, DEHP, DIBP, and 0.01% for cadmium, or qualify for an exemption to these limits as defined in the Annexes of Directive 2011/65/EU (RoHS2). Finished electrical and electronic equipment products will be CE marked as required by Directive 2011/65/EU. Components may not be CE marked. Additionally, the part numbers that TE has identified as EU ELV compliant have a maximum concentration of 0.1% by weight in homogenous materials for lead, hexavalent chromium, and mercury, and 0.01% for cadmium, or qualify for an exemption to these limits as defined in the Annexes of Directive 2000/53/EC (ELV). Regarding the REACH Regulation, the information TE provides on SVHC in articles for this part number is based on the latest European Chemicals Agency (ECHA) 'Guidance on requirements for substances in articles' posted at this URL: <https://echa.europa.eu/guidance-documents/guidance-on-reach>

### Compatible Parts



TE Part # YDTS26F13-04SNV001  
PLUG ASSY

### Also in the Series | DEUTSCH 38999 Series III

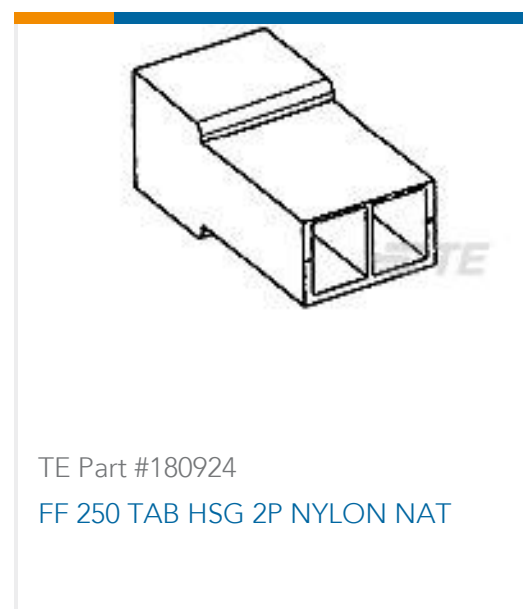


Standard Circular Connectors(37354)

### Customers Also Bought



TE Part #1757819-6  
AMPLIMITE,ASY,PLUG,STD,109,ZN,1,CT



TE Part #180924  
FF 250 TAB HSG 2P NYLON NAT



TE Part #YDTS24F13-04PBV001  
RECP ASSY



TE Part #YDTS24F13-35PNV001  
D38999: Jam Nut, 13-35 Insert



TE Part #YDTS24F21-16SAV001  
RECP ASSY



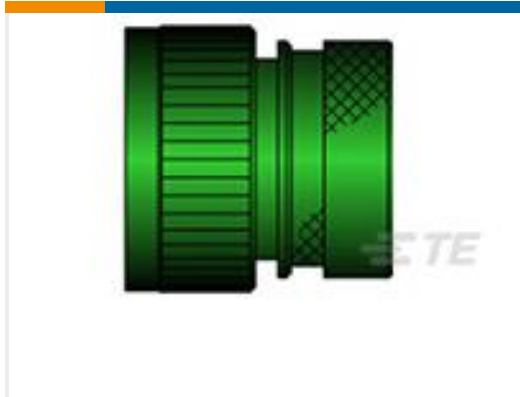
TE Part #YDTS26F13-04PNV001  
PLUG ASSY



TE Part #NB16104001  
RT-375-3/8-X-SP



TE Part #20006406-00  
XP5-S120-300PA



TE Part #022763-000  
209M412-19C

## Documents

### Product Drawings

[RECP ASSY](#)

English

### Datasheets & Catalog Pages

[DEUTSCH MIL-DTL-38999 CIRCULAR CONNECTORS](#)

English