

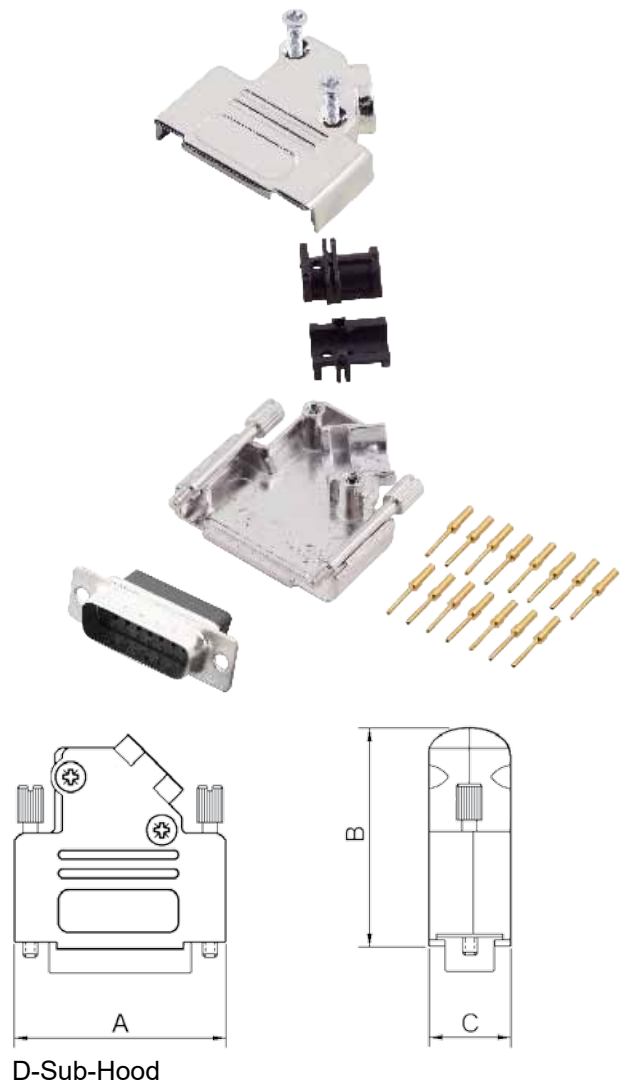
TECHNICAL SPECIFICATIONS

D-Sub Hood:

Material:	Zinc, Nickel Plated
Operating Temperature:	-40°C to +120°C
Cable Entry:	45° Side Entry
Thumbscrews:	UNC 4-40 (Standard)
Cable O.D.:	Up to 11,5mm (Size 9-37) Up to 17mm (Size 50)

D-Sub Crimp:

Insulator:	PBT, Black, UL94 V-0
Shell:	Stamped Steel, Tin Plated
Contact pins:	Copper Alloy
Machined pins Class 2:	200 inserts min
Contacts Plating:	Hard Gold over Nickel
Operating Temperature:	-55°C to +125°C
Test voltage:	1000V
Insulator resistance:	<5GΩ
Crimp Area (AWG):	AWG 24-20 0.2 - 0.6mm ²



D-Sub-Hood

Features:

- Available in sizes 9-15-25-37
- Excellent EMI Shielding
- Re-openable
- Strain relief inserts ensure a secure termination

Size D45ZK	Dim A	Dim B	Dim C
9-way	31,0	36,3	14,5
15-way	39,5	40,3	14,5
25-way	53,2	40,3	14,5
37-way	69,7	40,3	14,5

Ordering information:**D-Sub Connector Kits (100 inserts min.)**

Size:	P/N - Kitted:	Product Code - MALE Conn. Kit
9-way	6355-0051-01	D45ZK09-DBCP-K
15-way	6355-0051-02	D45ZK15-DBCP-K
25-way	6355-0051-03	D45ZK25-DBCP-K
37-way	6355-0051-04	D45ZK37-DBCP-K

Size:	P/N - Kitted:	Product Code - FEMALE Conn. Kit
9-way	6355-0051-11	D45ZK09-DBCS-K
15-way	6355-0051-12	D45ZK15-DBCS-K
25-way	6355-0051-13	D45ZK25-DBCS-K
37-way	6355-0051-14	D45ZK37-DBCS-K

