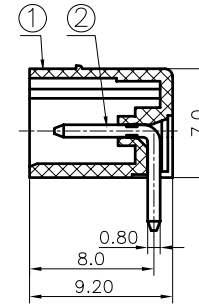
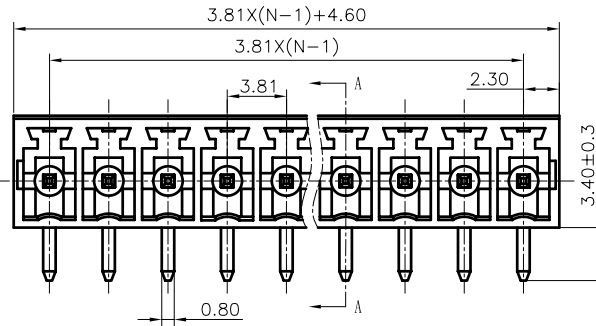
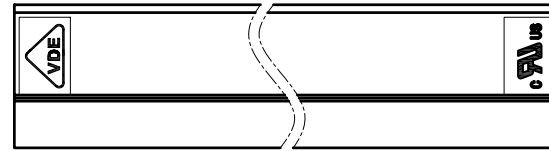


REVISION RECORD				
REV	ECN	DESCRIPTION	DRFT	DATE



SECTION A-A

NOTES:

1. PITCH:3.81MM , POLES:2-24P
2. RATED VOLTAGE/CURRENT:UL 300V/8A
VDE 250V/7A
3. OPERATION TEMPERATURES:-40°C~+105°C
4. WITHSTANDING VOLTAGE:AC2000V/1MIN
5. INSULATION RESISTANCE:5000MΩ/DC1000V
6. THE STANDARD DEFORMATION SIZE :
02P-07P≤0.15MM 08P-12P≤0.30MM
13P-17P≤0.35MM 18P-24P≤0.45MM
7. UNDIMENSIONED TOLERANCES:

Pitch range in mm		Nominal dimension range in mm			
to	over	to	over	over	over
6	6 to 10	10 to 24	30 to 60	60 to 100	100 to 150
±0.10	±0.15	±0.25	±0.2	±0.3	±0.5±0.7±1.0

3	15EDGRC-Pin header	1003B00040(H)	XX	Brass	Automatic assembly
2	15EDGRC-Pin header	1003B00010(H)	XX	Brass	Manual assembly

1	15EDGRC-3.81-Housing	1003A0YXXA(H)	1	PA66	UL94V-0
ITEM	NAME OF PART	NO. OF PART	QTY	MATERIAL	NOTES

DETACHED LISTS	MM (INCH)		MATERIAL:		DEGSON®	
	TOLERANCES EXCEPT AS NOTED		FINISH:			
	.X ±	.X' ±	PART NO.:		NAME:	
	.XX ±	.XX' ±	APPD:		TITLE: ASSEMBLY DRAWING	
	.XXX ±	.XXX' ±			DRAWING NO.: 15EDGRC-3.81-E02	
ANGLES ± 1°		CHKD:		REV	T8	
THIRD ANGLE PROJECTION		DRFT: LIN 05/19/06"		DO NOT SCALE DRAWING	SCALE N/A	SHEET 1/1