

NOTES:

RATED VOLTAGE: MAX. 63V AC/DC
 RATED CURRENT: MAX. 12A at 40°C (derating has to be considered)
 IP RATING: IP67 (mated and locked condition)
 TEMPERATURE RANGE: -25°C TO +85°C

CABLE PRINTING (sequence as shown below):
 - MOLEX part number
 - "Made in " COUNTRY OF ORIGIN
 - MOLEX AND DATE OF MANUFACTURING (YY=YEAR; WW=WEEK): MXYWW
 - Not for current interrupting

PART ACCORDING PRODUCT SPEC: 1205010169
 PACKAGING ACCORDING PACKAGING SPEC: 1201202000

TABLE 1

POS	DESCRIPTION	MATERIAL	FINISH
1	NUT M12 MA	BRASS	Ni
2	CONTACT 15 MA	BRASS	Au
3	CONTACT 15 FE	BRASS	Au
4	INSERT	PA	GREY
5	OVERMOLD	TPE	BLACK
6	CABLE 5x1.5 D8.6 WSOR	PUR	GREY
OPTIONAL 7	ID CARRIER	-	-

FUNCTIONAL SYMBOLS $\nabla_A = 0$ $\nabla_E = 0$ $\nabla_F = 0$	THIS DRAWING CONTAINS INFORMATION THAT IS PROPRIETARY TO MOLEX ELECTRONIC TECHNOLOGIES, LLC AND SHOULD NOT BE USED WITHOUT WRITTEN PERMISSION	CURRENT REV DESC: UPDATED ATTRIBUTE TO GENERAL MARKET IN ECTR						
	DIMENSION UNITS	SCALE	EC NO: 735577					CSE M12 5P LC MA STR WSOR GY XM UNSH 1.5
	mm	2:1	DRWN: NIKHIS3 2023/01/12		PRODUCT CUSTOMER DRAWING			
	GENERAL TOLERANCES (UNLESS SPECIFIED)		CHK'D: RSILLER 2023/01/19		DOCUMENT NUMBER		DOC TYPE	DOC PART
ANGULAR TOL ± 1.0°		APPR: RSILLER 2023/01/19		1205000314		PSD	000	A1
4 PLACES ±		INITIAL REVISION:		MATERIAL NUMBER		CUSTOMER		
3 PLACES ±		DRWN: FDAFERNER 2020/08/18		SEE TABLE 2		GENERAL MARKET		
2 PLACES ± 0.05		APPR: RSILLER 2022/12/05		SERIES		SHEET NUMBER		
1 PLACE ± 0.3		DRAFT WHERE APPLICABLE MUST REMAIN WITHIN DIMENSIONS		A3-SIZE		1 OF 2		
0 PLACES ± 0.5		THIRD ANGLE PROJECTION		120500				

ENGINEERING NO - NUMERICAL CODE (Available parts see PART LIST table. Other parts available upon request).

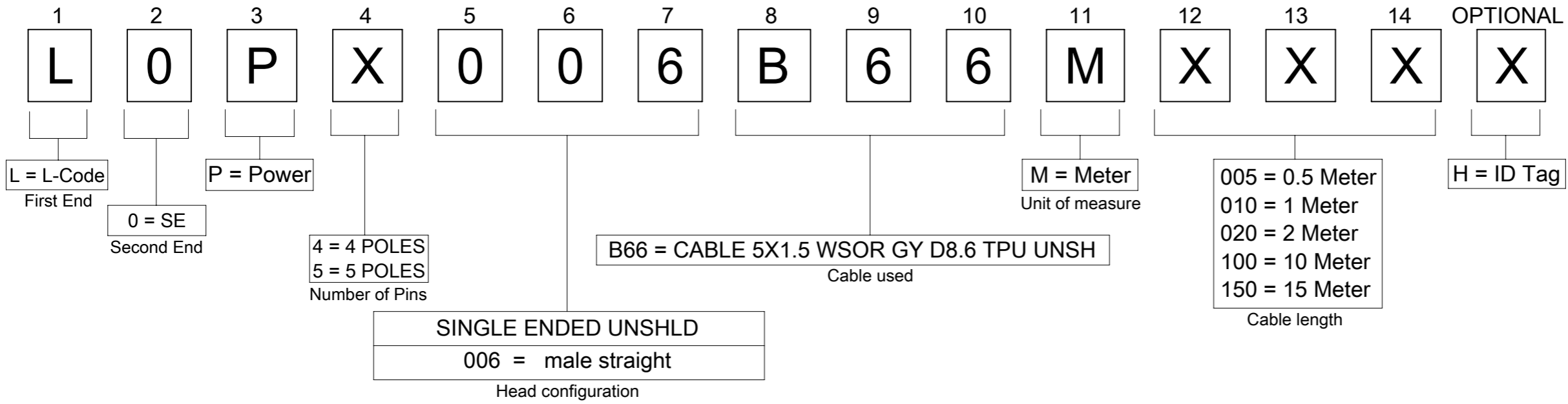


TABLE 2

NOMINAL SECTION 1,5mm ²			
MATERIAL NO.	ENGINEERING NO.	L [mm]	TOLERANCE [mm]
1205000314	L0P5006B66M010	1000	+40
1205000315	L0P5006B66M020	2000	+60
1205000316	L0P5006B66M030	3000	+60
1205000317	L0P5006B66M050	5000	+60
1205000318	L0P5006B66M100	10000	+80
1205000319	L0P5006B66M150	15000	+140
1205000320	L0P5006B66M200	20000	+140

FUNCTIONAL SYMBOLS	THIS DRAWING CONTAINS INFORMATION THAT IS PROPRIETARY TO MOLEX ELECTRONIC TECHNOLOGIES, LLC AND SHOULD NOT BE USED WITHOUT WRITTEN PERMISSION		
	DIMENSION UNITS mm	SCALE 1:1	CURRENT REV DESC: UPDATED ATTRIBUTE TO GENERAL MARKET IN ECTR
DIVISIONAL SYMBOLS	GENERAL TOLERANCES (UNLESS SPECIFIED)		
	ANGULAR TOL ± 1.0°		
DIVISIONAL SYMBOLS	4 PLACES ±	EC NO: 735577	
	3 PLACES ±	DRWN: NIKHIS3	2023/01/12
	2 PLACES ± 0.05	CHK'D: RSILLER	2023/01/19
	1 PLACE ± 0.3	APPR: RSILLER	2023/01/19
0 PLACES ± 0.5	INITIAL REVISION:		
DRAFT WHERE APPLICABLE MUST REMAIN WITHIN DIMENSIONS	THIRD ANGLE PROJECTION	DRAWING	SERIES
		A3-SIZE	120500
MATERIAL NUMBER		CUSTOMER	SHEET NUMBER
SEE TABLE 2		GENERAL MARKET	2 OF 2