

FEATURES

- Cable flex has copper wire conductors and drain wire
- Length of 1m
- The connectors are nickel and have a strain relief
- USB 3.1 supports 20 volt, 3 amp power delivery, this cable has a 56K Ω resistor

RS PRO Male USB C to Male USB A USB Cable, 1m

RS Stock No.: 182-8847



RS Professionally Approved Products bring to you professional quality parts across all product categories. Our product range has been tested by engineers and provides a comparable quality to the leading brands without paying a premium price.

Product Description

From RS PRO, comes a high-quality male USB A to male mini USB B USB cable. Constructed to industry standards, this USB has been designed to link devices such as tablets and mobile phones to computers making it a fantastic solution

General Specifications

USB Type	USB 3.0
Connector A	Male USB C
Connector A Type	USB C
Connector A Gender	Male
Connector B	Male USB A
Connector B Type	USB A
Connector B Gender	Male
Outer Sheath Material	PVC
Sheath Colour	Black
Connector Plating	Nickel
Applications	Mobile phones, Cameras, External hard drives, Tablets, Smart watches, Portable speakers

Electrical Specifications

Voltage Rating	20Volts
Maximum Power	3A

Mechanical Specifications

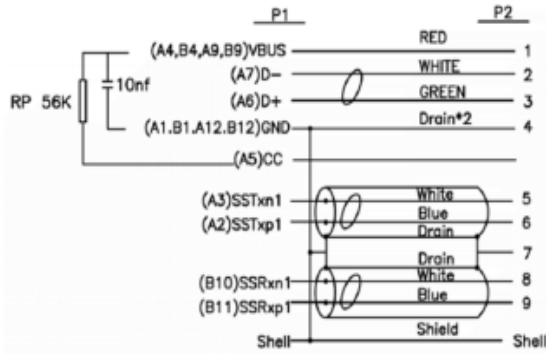
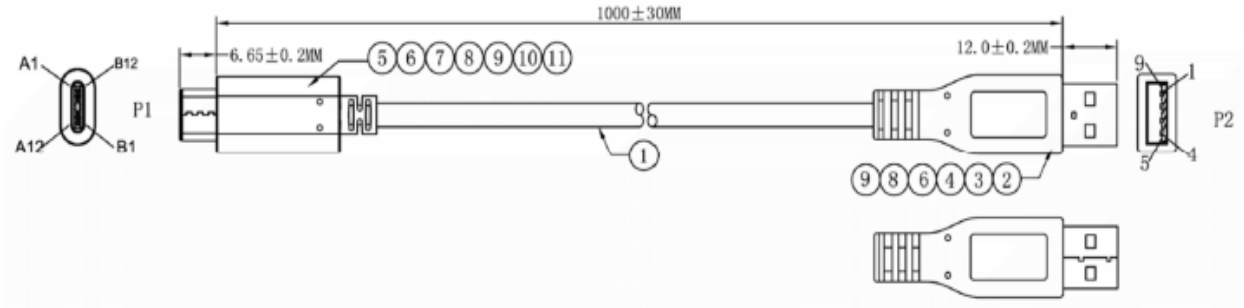
Length	1m
---------------	----

Approvals

Standards Met

RoHS, CE, REACH





9	USB TYPE C~UP Tinplate Nickel Plated~
8	USB TYPE C~Below Tinplate Nickel Plated~
7	Inside Molding:Low pressure material
6	USB 3.1 C Type Connector Nickel Plated Shell With PCB(Resistance:56KΩ)
5	Outside Molding 45P PVC Color:Black
4	USB 3.0 A(M) Rear Shell Nickel plated
3	USB 3.0 A(M) Front Shell Nickel plated
2	USB 3.0 A(M) 9P /Insulation:BLUE,PIN. Gold Plated 3U*
1	USB3.1-(30AWG+EAW)-2P+(30AWG+A)-1P+24AWG+1C+A2EB(16/8/0.10TC 85NTC)OD:4.5MM-Black-NO-MARKING