

FEATURES

- PVC insulated flat pair construction
- Conductors laid flat PVC insulated with overall PVC sheath
- All round general purpose cable, both waterproof and very flexible
- Tolerance Class 2

Thermocouple Wire Type K, - 10 → +105 °C 2 Core Unscreened PVC Sheath 100m

RS Stock No.: 219-4573



RS Professionally Approved Products bring to you professional quality parts across all product categories. Our product range has been tested by engineers and provides a comparable quality to the leading brands without paying a premium price.

Product Description

From the trusted brand RS PRO, comes a range of high quality and great value thermocouple extension cables. Manufactured to industry standards, these thermocouple extension wires are an excellent solution for extending the distance between a temperature probe and the instrument that providing the reading.

General Specifications

Thermocouple Type	K
Number Of Cores	2
Screened/Unscreened	Unscreened
Insulation Material	PVC
Cable Shape	Multicore
Number Of Strands	7
Standards Met	IEC584
Applications	Medical - research into DNA and hypodermic insertion to detecting a tumour; Vehicle diagnostics - used to monitor and adjust factors such as battery health, exhaust readings, spark plug function and brake performance; Temperature readings in boilers, heating sensors, and ovens; Food thermometers, industrial probes, and sensors

Electrical Specifications

Power Consumption Max	170VA dropping to 20VA during charging
------------------------------	--

Mechanical Specifications

Length	100m
Core Strands	7/0.2mm
Size Of Strands	0.2mm
Energy Output	0-60 Joules
Welding Capacity Wires	Up to 1.1mm Diameter
Duty Cycle Minimum	5-10 welds/min
Physical Dimensions	220mm wide x 120mm high x 250mm depth
Weight	4kg

Operation Environment Specifications

Minimum Operating Temperature	-10°C
Maximum Operating Temperature	105°C

Approvals

Compliance/Certifications	RoHS Certificate Of Compliance
----------------------------------	--------------------------------

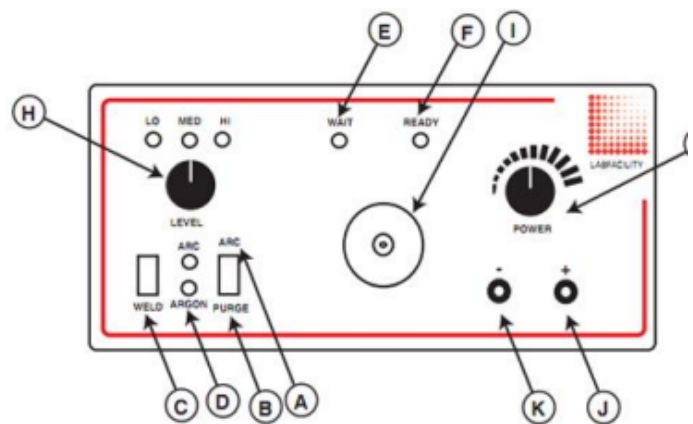




(Rear View)



Thermocouple Welder Controls



- | | | |
|---|------------------|--|
| A | Arc | Argon gas and weld current controlled by the "Weld" switch. LED indication |
| B | Purge | Allows the gas line and electrode shield to be purged of air prior to a new welding period |
| C | Weld Switch | Initiates a welding operation (in "arc" mode also opens the Argon valve) |
| D | Argon LED | Indicates when the Argon control valve is open and gas is flowing |
| E | Wait LED | Glow when weld charge is building |
| F | Ready LED | "Ready to Weld" indication |
| G | Power | Rotary control of the capacitor charge voltage |
| H | Level Selector | Selects the total capacitance available giving the following values with LED indication

"LO" = 0 to 6 Joules
"MED" = 0 to 28 Joules
"HI" = 0 to 64 Joules |
| I | Electrode Holder | Holds the replaceable carbon electrode which is accessible by removing the outer Argon Shield |
| J | Red Socket | Output socket for using the pliers supplied |
| K | Black Socket | Output socket, this provides an additional earth |

	Conductors	Cores	Jacket	Reel Length	Allied Code	RS order code
Extension:						
KX	7/0.2mm	+Green/-White	Green	10 metres	70657084	827-5615
KX	7/0.2mm	+Green/-White	Green	25 metres	70641729	236-3820
KX	7/0.2mm	+Green/-White	Green	50 metres	70657085	827-5619
KX	7/0.2mm	+Green/-White	Green	100 metres	70646156	611-7889
KX	7/0.2mm	+Green/-White	Green	200 metres	70657088	827-5628
KX	13/0.2mm	+Green/-White	Green	25 metres		827-5883
KX	13/0.2mm	+Green/-White	Green	50 metres		827-5892
KX	23/0.2mm	+Green/-White	Green	25 metres		827-5895
EX	7/0.2mm	+Purple/-White	Purple	10 metres		136-5863
EX	7/0.2mm	+Purple/-White	Purple	25 metres		136-5864
JX	7/0.2mm	+Black/-White	Black	10 metres	70641640	219-4753
JX	7/0.2mm	+Black/-White	Black	25 metres	70657078	827-5592
JX	7/0.2mm	+Black/-White	Black	50 metres	70657079	827-5596
JX	7/0.2mm	+Black/-White	Black	100 metres	70641737	236-3915
JX	7/0.2mm	+Black/-White	Black	200 metres	70657081	827-5606
TX	7/0.2mm	+Brown/-White	Brown	10 metres	70641637	219-4703
TX	7/0.2mm	+Brown/-White	Brown	25 metres	70641734	236-3870
TX	7/0.2mm	+Brown/-White	Brown	50 metres	70657095	827-5653
TX	7/0.2mm	+Brown/-White	Brown	100 metres	70651749	762-1146
TX	7/0.2mm	+Brown/-White	Brown	200 metres	70657098	827-5662
TX	13/0.2mm	+Brown/-White	Brown	25 metres		827-5899
NX	7/0.2mm	+Pink/-White	Pink	10 metres	70641635	219-4668
NX	7/0.2mm	+Pink/-White	Pink	25 metres	70657091	827-5637
NX	7/0.2mm	+Pink/-White	Pink	50 metres	70657089	827-5631
NX	7/0.2mm	+Pink/-White	Pink	100 metres	70657092	827-5640

	Conductors	Cores	Jacket	Reel Length	Allied Code	RS order code
Compensating:						
VX (KCB)	7/0.2mm	+Green/-White	Green	10 metres	70657082	827-5609
VX (KCB)	7/0.2mm	+Green/-White	Green	25 metres	70641629	219-4551
VX (KCB)	7/0.2mm	+Green/-White	Green	50 metres	70657080	827-5603
VX (KCB)	7/0.2mm	+Green/-White	Green	100 metres	70641630	219-4573
VX (KCB)	7/0.2mm	+Green/-White	Green	200 metres	70657083	827-5612
VX (KCB)	13/0.2mm	+Green/-White	Green	10 metres	70657086	827-5621
VX (KCB)	13/0.2mm	+Green/-White	Green	25 metres	70657087	827-5625
VX (KCB)	13/0.2mm	+Green/-White	Green	50 metres	70657090	827-5634
VX (KCB)	13/0.2mm	+Green/-White	Green	100 metres	70651750	762-1152
U (RCA)	7/0.2mm	+Orange/-White	Orange	10 metres	70657096	827-5656
U (RCA)	7/0.2mm	+Orange/-White	Orange	25 metres	70646158	611-7902
U (RCA)	7/0.2mm	+Orange/-White	Orange	50 metres	70657097	827-5659
U (RCA)	13/0.2mm	+Orange/-White	Orange	10 metres	70641641	219-4769
U (RCA)	13/0.2mm	+Orange/-White	Orange	25 metres	70657093	827-5643
U (RCA)	13/0.2mm	+Orange/-White	Orange	50 metres	70657094	827-5647

