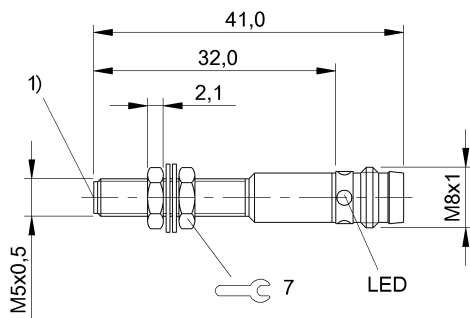


BES 516-3005-G-E5-C-S49
Ordering code: BES00HF

Inductive sensor
M05x41 mm
Small housing

DC, direct current
PNP/Normally open (NO)
Sn = 1,5 mm
Flush (shielded)

BALLUFF
sensors worldwide



Characteristic data

Eff. switching distance Sr	1,50 mm
Tolerance Sr	±10 %
Assured operating distance Sa	1,20 mm
Hysteresis H max. (in % of Sr)	15 %
Repeat accur. R max. (% of Sr)	5 %
Ambient temperature	-25...70 °C
Temp. drift max. (% of Sr)	10 %
Switching freq. f max.	3000 Hz
Ready delay tv max.	25 ms
Utilisation category	DC 13
Function indicator	Yes
Power-on indicator	No
Short-circuit protected	Yes
Degree of protection as per IEC 60529	IP67
Protected against polarity reversal	Yes
Protected against reverse connection	Yes

Electrical data

Operating voltage	
Rated operating voltage Ue DC	24,0 V
Ripple max. (% of Ue)	10 %
Voltage drop static max.	3 V
Rated insulation voltage Ui	75 DC V
Effective operating current Ie	100 mA
No-load current Io damped	10 mA
No-load current Io undamped	3 mA
Off-state current Ir max.	80 µA
Minimum operating current Im	0 mA

Rated short circuit current	100 A
Output resistance Ra	Open collector
Load capacitance max. (at Ue)	0,2 µF
Principle of operation	Inductive

Mechanical data

Housing material	Stainless steel
Sensing surface material	PBT
Tightening torque max.	1 Nm
Connection type	Connector
Connector type	M08x1-S49
Shock rating	Shock, half-sinus, 30 gn, 11ms
Vibration rating	55 Hz, 1 mm ampl., 3x30 min
Degree of contamination	3

Basic data

Basic standard	IEC 60947-5-2
----------------	---------------

Remarks

When using an AC bridge, an electrolytic capacitor $\geq 10\mu\text{F}/40\text{V}$ parallel to Ub is recommended.

The sensor is functional again after the overload has been eliminated.

With connector, e.g. BKS-S 49-... total length = switch length +12 mm.

Embeddable: See installation notes for inductive sensors with extended switching distance 825357.

EMC: Surge immunity; external protection circuit required. Document 825345, Section 2.



Definitions see main catalog

BES 516-3005-G-E5-C-S49
Ordering code: BES00HF

Inductive sensor
M05x41 mm
Small housing

DC, direct current
PNP/Normally open (NO)
Sn = 1,5 mm
Flush (shielded)

BALLUFF
sensors worldwide

subject to change

