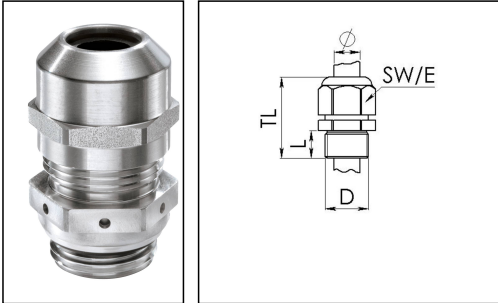


ESSVG 20

Pressure compensation cable gland, stainless steel



Product illustrations are exemplary and may differ from the chosen product. Further variants and individual customization, we will gladly provide you on request.



Material cable gland	Edelstahl A2 (1.4305)
Material membrane	ePTFE
Material sealing gasket	EPDM
Airflow at 70mbar	55 LH
Temp. range min	-40 °C
Temp. range max	100 °C
Protection class	IP68, IP69
Thread type	M
Ø Connection thread D	20
Lead	1,5
Length screw-in thread L	6 mm
Ø cable diameter min	6 mm
Ø cable diameter max	13 mm
Ø cable diameter UL	7,5 mm - 11,3 mm
Key width SW	24 mm
Collar diameter (E)	27 mm
Install. torques fitting	8 N/m
Install. torques cap nut	8 N/m
Total length TL	41 mm - 50 mm
WISKA-Order no.	10069400
Type	ESSVG 20
Packing unit	1
ETIM-Classification	EC000441

Your Contact:

WISKA UK Ltd.

Unit 7, Hurling Way · St. Columb Major Business Park · TR9 6SX, St. Columb Major, Cornwall · Great Britain

☎ +44-12-08816062 · 📠 +44-12-08816708

info@wiska.co.uk · www.wiska.co.uk

Recommended accessories



MFD 20/02/065	10060953
RDE 20	10062185
BS 13	10064010
ESMU 20	10064190
MFD 20/03/040	10064341
MFD 20/02/060	10064395
MFD 20/02/050	10101015
MFD 20/03/045	10102306

19.03.2019

Your Contact:

WISKA UK Ltd.

Unit 7, Hurling Way · St. Columb Major Business Park · TR9 6SX, St. Columb Major, Cornwall · Great Britain

 +44-12-08816062 ·  +44-12-08816708

info@wiska.co.uk · www.wiska.co.uk



Your Contact:

WISKA UK Ltd.

Unit 7, Hurling Way · St. Columb Major Business Park · TR9 6SX, St. Columb Major, Cornwall · Great Britain

☎ +44-12-08816062 · 📠 +44-12-08816708

info@wiska.co.uk · www.wiska.co.uk