



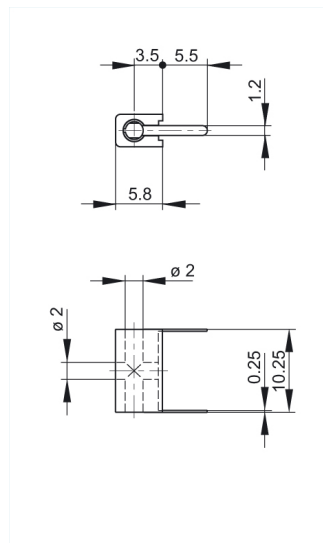
MPB 1 schwarz/black

Industrial Connectors:Measuring and Testing Equipment:Sockets:2 mm system

Product description

Description	2 mm diameter miniature test socket, dimensions complying with DIN 41 649. Suitable for measuring and testing printed circuits during operation. Tin-plated sprung bronze contact spring. Test socket with horizontal and vertical connections.
Type	MPB 1 schwarz/black
Order No.	930 224-100
System	2 mm system
Housing Color	black
Other standard types	red color, order no. 930 224-101

Drawing



Technical data

Type of contact	socket (spring-loaded)
Type of termination	solder
Rated voltage	DC 60 V
Rated current	6 A
Contact resistance	6 mOhm
Mounting	screw

Material

Contact material	bronze
Contact surface material	tin-plated
Housing material	PC

Environmental conditions

Temperature range	-20 °C to +60 °C
-------------------	------------------

Inflammability class

Housing	94 HB
---------	-------