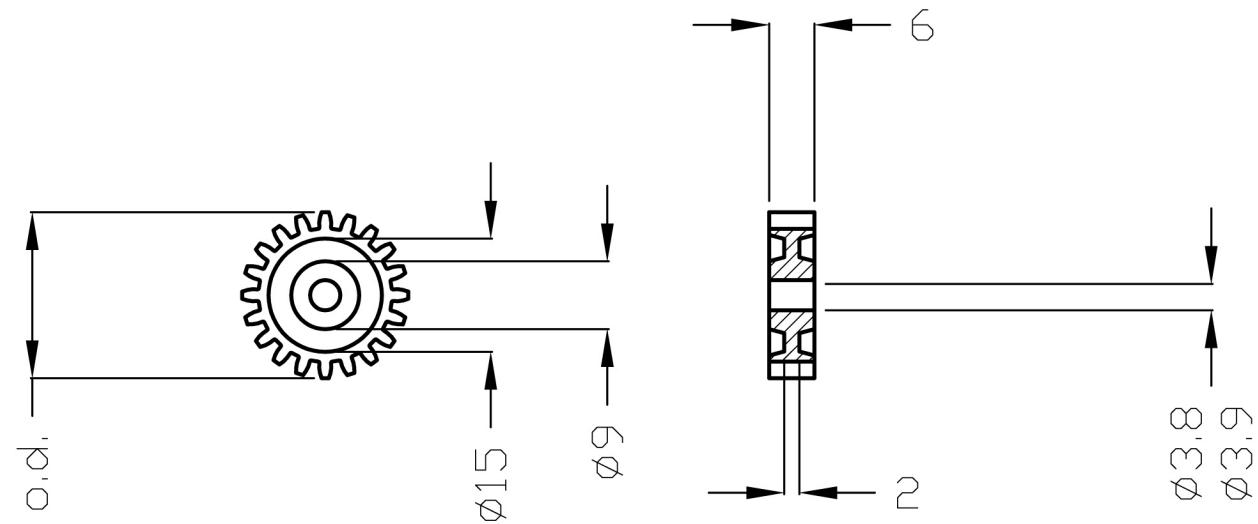


THIRD ANGLE PROJECTION

ALL DIMENSIONS IN MM.

IF IN DOUBT ASK

TOLERANCE UNLESS OTHERWISE STATED	
GENERAL TOLERANCE	
NO DECIMAL PLACE	± 0.5mm
ONE DECIMAL PLACE	± 0.3mm
TWO DECIMAL PLACES	± 0.1mm
ANGLES	± 1°



$\varnothing 20$  PCD  
1 module

11/10/02	1
Date	Issue

DESCRIPTION : 20T GEAR  
 PROD Code: 4020

MATERIAL : Polypropelene	drawn	checked	date	PART No.: 4020
SCALE :	FINISH : Red		11/10/02	DRAWING No. :