

FICHA TÉCNICA – *TECHNICAL DATA SHEET: RE-REL*

VENTAJAS – BENEFITS

- Abrazadera con doble nervio que proporciona gran resistencia para tubos de grandes diámetros (acero, cobre, PVC, PPR,...) – **Clamp with double ribs that give it high resistance for big pipes (steel, cooper, PVC, PPR,...)**
- Tuerca con soldadura en cruz con una resistencia garantizada de 6 mkg – **Nut with a cross welding that guarantee a resistance torque of 6mkg.**
- Dispone de arandelas de PVC para evitar la caída de los tornillos durante la abertura de la abrazadera – **It has two PVC washers to avoid the screw fall during the opening of the clamp.**
- Abrazadera acorde directive ROHS – **Clamp accomplish ROHS Directive.**

Foto Producto /
product photo



APLICACIONES – APPLICATIONS.

Fijación de tuberías de desagüe, bajantes en PVC, baterías de tubos de plástico, ... - **For draining pipes, PVC pipes, plastic parallel pipes, ...**



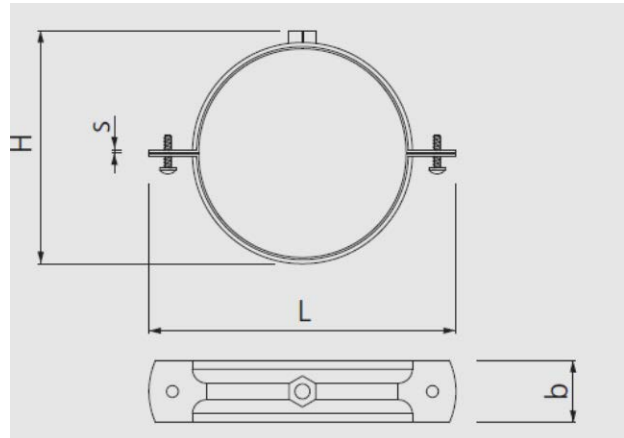
CARACTERÍSTICAS – FEATURES

Material / *material*

- Abrazadera cincada mínimo 5 micras – **White zinc plated clamp, minimum 5 microns**
- Tornillo métrico cincado mínimo 5 micras, con cabeza alomada y mortaja combi (PH + ranura) – **Metric screw white zinc plated minimum 5 microns, with pan-head and combi recess (PH + slot).**
- **hardness 50, FIRE behavior B2 according to DIN 4102, noise insulation according to DIN 4109.**
- Tuerca M8+M10 para RE y M8 para REL – **Nut M8+M10 for RIE and M8 for RIEL**
- Arandela de PVC – **PVC washer**

Cotas principales (mm) - **Main dimensions (mm)**

Ref apolo	ØD	Altura H	Longitud L	Grosor E	Anchura A	Tornillo
		Height H	Length L	Thickness S	Width b	Screw
REL 18	18	29,0	60,0	1,5	20	M6x18
REL 22	22	33,5	62,0	1,5	20	M6x18
REL 28	28	39,0	70,5	1,5	20	M6x18
REL 35	35	49,5	79,0	1,5	20	M6x18
REL 40	40	53,5	88,0	1,5	20	M6x18
REL 50	50	59,0	94,0	1,5	20	M6x18
REL 55	55	67,5	102,0	1,5	20	M6x18
REL 60	60	76,0	109,0	1,5	20	M6x18
RE 75	75	102,5	133,0	2	25	M6x25
RE 90	90	111,5	145,0	2	25	M6x25
RE 100	100	122,0	155,0	2	25	M6x25
RE 110	110	136,5	169,0	2	25	M6x25
RE 125	125	145,5	178,0	2	25	M6x25
RE 140	140	161,5	198,5	2	25	M6x25
RE 160	160	189,5	229,0	2	25	M6x25
RE 200	200	220,5	262,0	2	25	M6x25
RE 210	210	230,0	275,0	2	25	M6x25



Rango de sujeción de tubos – **Range of pipes to be fixed by every size.**

Ref apolo	Ø	Cobre	Acero	Plástico
		Cooper	Steel	Plastic
REL 18	15-19	18	3/8"	16
REL 22	20-24	22	1/2"	20
REL 28	23-28	28	3/4"	25
REL 35	31-36	35	1"	32
REL 40	38-44	42	1-1/4"	40
REL 50	44-50	-	1-1/2"	50
REL 55	54-58	54	-	-
REL 60	59-65	63	2"	63
RE 75	74-80	76	2-1/2"	75
RE 90	83-93	89	3"	90
RE 100	95-103	-	3-1/2"	100
RE 110	108-118	108	4"	110
RE 125	121-127	-	4-1/2"	125
RE 140	132-143	-	5"	140
RE 160	159-169	-	6"	160
RE 200	198-202	-	-	200
RE 210	210-215	-	-	-

Este documento es propiedad de Apolo. Cualquier copia total o parcial está prohibida excepto autorización escrita de Apolo /*This document is intellectual property of apolo. Copy is forbidden and will be prosecuted. Copy, total or partial, must have the written agreement of apolo.*

TDS-2

PROCEDIMIENTO DE INSTALACIÓN / INSTALLATION PROCEDURE

Instalación en 4 pasos / *Installation in 4 steps*

- Fijar abrazadera a la pared / *Fix the clamp to the wall*
- Abrir la abrazadera / *Open the clamp*
- Insertar el tubo / *Insert the pipe*
- Cerrar la abrazadera / *Close the clamp*

CARGAS RECOMENDADAS / RECOMMENDED LOADS.

Valores en kg <i>Values on kg</i>	Bajo techo <i>Under the ceiling</i>
REL 18 – REL 28	100
REL 35 – REL 60	130
RE 75 – RE 220	150