



Figure can vary

Part no.: 50135458
A7-V1-DS-O-T
Signaling column element



Contents

- Technical data
- Dimensioned drawings
- Notes
- Accessories

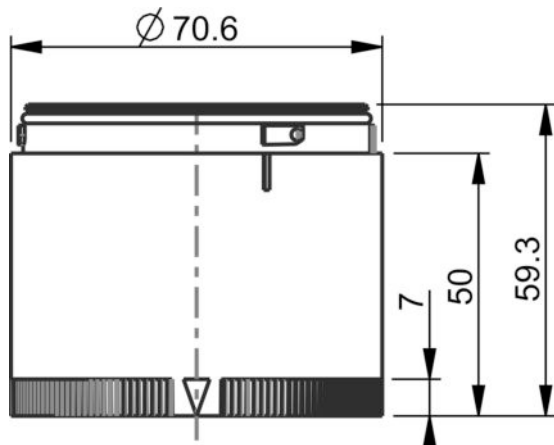
Part no.: 50135458 – A7-V1-DS-O-T – Signaling column element

Technical data

Basic data	
Series	A7
Suitable for	Signaling column elements of the A7 – Advanced Series
Type of signaling	Optical
Electrical data	
Life expectancy	> 100,000 h
Performance data	
Supply voltage U_B	24 V , DC , 10 %
Current consumption, max.	50 mA
Connection	
Notes	Protected against accidental interchanges: Actuation of the colors is performed via PINs, thus, the calotte position can be freely selected.
Mechanical data	
Design	Cylindrical
Dimension (\varnothing x L)	70 mm x 50 mm
Housing material	Plastic
Net weight	109 g
Type of fastening	Bayonet system
Type of illuminant	LED/24V
Signal image	Continuous light
Lens color	Orange
Angle of radiation	360°
Environmental data	
Ambient temperature, operation	-10 ... 60 °C
Certifications	
Degree of protection	IP 66
Certifications	CE CSA
Classification	
Customs tariff number	85318070
eCl@ss 8.0	27371220
eCl@ss 9.0	27371220
ETIM 5.0	EC000232
ETIM 6.0	EC000232

Dimensioned drawings

All dimensions in millimeters




Notes

Observe intended use!

- This product is not a safety sensor and is not intended as personnel protection.
- The product may only be put into operation by competent persons.
- Only use the product in accordance with its intended use.

Accessories

Mounting

	Part no.	Designation	Article	Description
	50135463	A7-MP1-100	Signaling column element	Connection: Terminal, Tension spring technology Diameter: 70 mm Design: Base mounting Cylindrical Fastening, at system: Screw type / horizontal Module holder: One side Ambient temperature: -10 ... 60 °C Degree of protection: IP 66

Note

A list with all available accessories can be found on the Leuze electronic website in the Download tab of the article detailed page.