

MIRO SAFE+ T 2 24

24 VAC/DC - 3 N/O contact / 2 N/O contact delayed

6 A (STOP1); 8 A (STOP0)

Protection-door and emergency-stop control

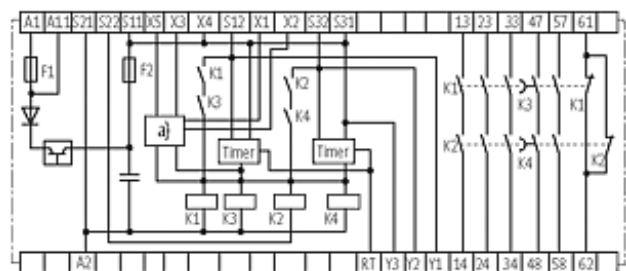
Light curtain control

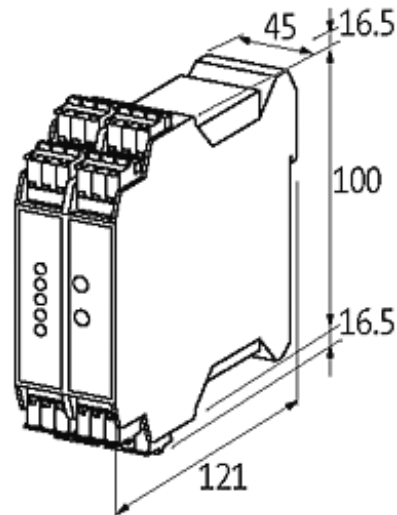
Safety magnetic switch control

Automatic/manual/manual monitored reset/start

[Link to Product](#)

Illustration





Product may differ from Image

Approvals



Utilization category

Safety contacts (STOP 0)	max. 250 V AC/8 A; min. 10 V AC/10 mA (ohm./ind.), at suitable suppression
Safety contacts (STOP 1)	max. 250 V AC/6 A; min. 10 V AC/10 mA (ohm./ind.), at suitable suppression
AC-15	6 A (230 V AC) STOP0; 3 A (230 V AC) STOP1
DC-13	6 A (24 V DC) STOP0; 2 A (24 V DC) STOP1

Input

Input voltage	24 V DC (-15/+20 %), 24 V AC (-15/+10 %)
Input current	max. 7.1 VA/3.2 W (with monitoring output)

Safety Indicators

PL	up to e (STOP0); up to d (STOP1)
Category	up to 4 (STOP0); up to 3 (STOP1)
DC	99 % (STOP0); min. 60 % (STOP1)
SIL	up to 3 (STOP0); up to 2 (STOP1)
Service life	20 years

General data

Mech./ elect. life	10.000.000 switching cycles/load dependent
Connection	Spring clamp plug-in terminals
Mounting method	DIN-rail mountable (EN 60715)
Dimensions H x W x D	100x45x121 mm
Temperature range	-25...+60 °C (storage temperature -40...+85 °C)

Output

The information in this brochure has been compiled with the utmost care.

Liability for the correctness completeness and topicality of the information is restricted to gross negligence. Version: 05/15

Switching voltage	max. 250 V AC/DC
Switching current per output	max. 6 A
Total current (STOP 0)	18 A (45 °C); 15 A (55 °C); 12 A (60 °C)
Total current (STOP 1)	12 A (45 °C); 10 A (55 °C); 8 A (60 °C)
Number of auxiliary contacts	1 - (31-32)
Number of alarm outputs	3 - (13-14); (23-24); (33-34)
Number of safety contacts	3 - (13-14), (23-24), (33-34), STOP0; 2 - (47-48), (57-58), STOP1
Contact material	AgSnO, self cleaning, positively driven

Commercial data

country of origin	DE
customs tariff number	85364900
minimum order quantity	1