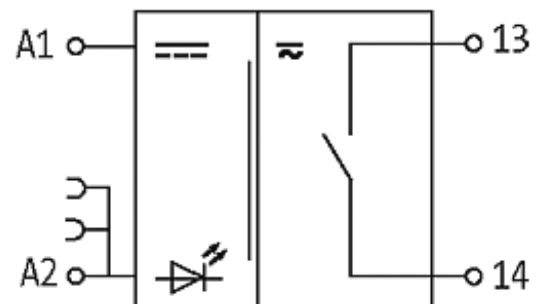
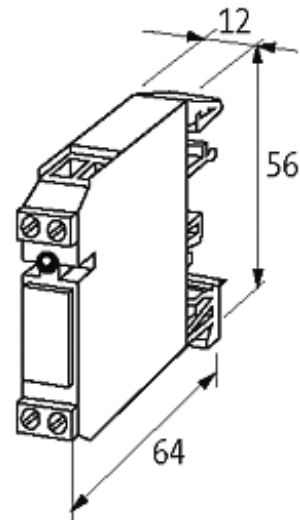


RMME 11/24 WITH GROUND BRIDGE INPUT RELAY

IN: 24 VAC/DC - OUT: 125 VAC/DC / 1 A

1 relay; 1 NO contact
24 V AC/DC
with minus plug link
Screw terminals

[Link to Product](#)**Illustration**



Product may differ from Image

Utilization category

AC-15	1 A (24 V AC); 0.5 A (125 V AC)
DC-13	1 A (24 V DC); 0.5 A (125 V DC)

Input

Connection voltage - current	24 VAC/DC (21.6...26.4 VAC/DC) - 6mA
Plug link (supplied)	Art.-Nr. 90960
LED display	LED (yellow)

General data

Mech./ elect. life	100.000.000 switching cycles/load dependent
Test isolation voltage	1.5 kV
Mounting method	DIN-rail mountable TH35 or G32 (EN 60715)
Temperature range	-20...+60 °C
Dimensions H × W × D	56×12×65 mm

Output

Switching voltage	max. 125 V AC/DC
Switching current per output	max. 1 A
Min. load current	1 mA
Power rating (voltage dependent)	max. 60 VA/30 W
Switching frequency	max. 15 Hz
Contact material	Pd Ni-Au Rh
Energize/release/contact bounce time	10/10/1 ms

Commercial data

country of origin	CZ
customs tariff number	85364900
minimum order quantity	1