

## M12 FEMALE 90° SHIELDED

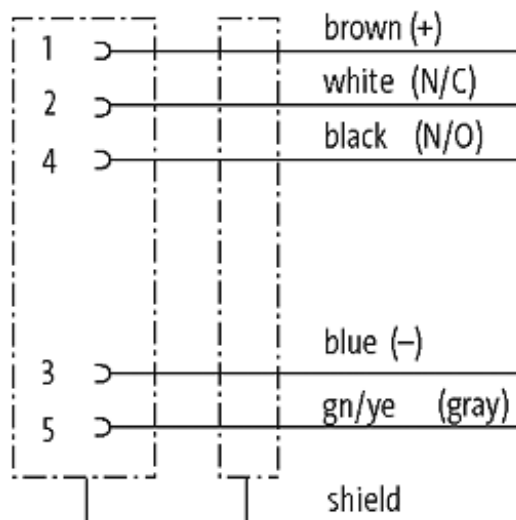
PUR 5X0.34 shielded bk UL/CSA, drag ch 3m

M12  
Female 90°  
5-pole, shielded

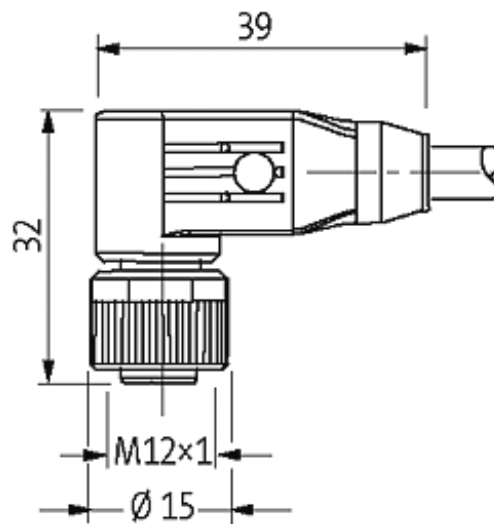
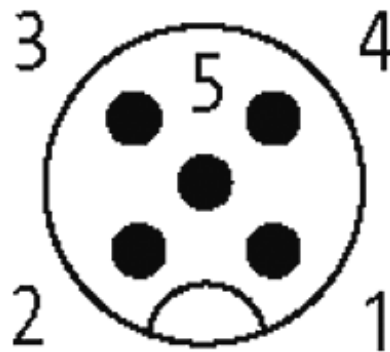
Plastic housings with good resistance against chemicals and oils. The resistance to aggressive media should be individually tested for your application. Further details on request. Further cable lengths on request.

### [Link to Product](#)

#### Illustration



# Female



Product may differ from Image