



BENT, LENGTH-ADJUSTABLE TWIST LEVER FOR POSITION SWITCH 3SE51 WITH PLASTIC ROLLER 22MM INCL. ADAPTER AND SCREW

|   |  |                                 |
|---|--|---------------------------------|
| Product designation   |  | actuator for part-turn actuator |
| <b>Manufacturer article number</b>  |  |                                 |
| <ul style="list-style-type: none"> <li>of the supplied operating lever</li> </ul> |  | <a href="#">3SE5000-0AA56</a>   |

#### General technical data:

|  |  |              |
|--|--|--------------|
| <b>Product function</b>  |  |              |
| <ul style="list-style-type: none"> <li>positive opening</li> </ul>                                       |  | No           |
| <b>Shock resistance</b>  |  | 30g / 11 ms  |
| <b>Vibration resistance</b>  |  | 0.35 mm / 5g |
| <b>Mechanical service life (switching cycles)</b>  |  |              |
| <ul style="list-style-type: none"> <li>typical</li> </ul>  |  | 15 000 000   |
| <b>Equipment marking</b>   |  |              |
| <ul style="list-style-type: none"> <li>acc. to DIN EN 61346-2</li> <li>acc. to DIN EN 81346-2</li> </ul> |  | T<br>T       |
| <b>Active principle</b>  |  | mechanical   |
| Explosion protection category for dust   |  | none         |
| Explosion protection category for gas  |  | none         |

#### Enclosure:

|                                 |  |             |
|---------------------------------|--|-------------|
| <b>Coating of the enclosure</b> |  | Other types |
|---------------------------------|--|-------------|

#### Drive Head:

|  |    |   |
|--|----|---|
| <b>Design of the operating mechanism</b> |    | Metal lever adjustable length, bent, plastic roller 22 mm |
| <b>Shape of the switch head</b>          |    | roller  |
| <b>Outer diameter of the switch head</b> | mm | 22  |

#### Communication/ Protocol:

|                         |  |         |
|-------------------------|--|---------|
| Design of the interface |  | without |
|-------------------------|--|---------|

#### Ambient conditions:

|                            |    |             |
|----------------------------|----|-------------|
| <b>Ambient temperature</b> |    |             |
| • during operation         | °C | -25 ... +85 |
| • during storage           | °C | -40 ... +90 |

#### Installation/ mounting/ dimensions:

|                   |  |              |
|-------------------|--|--------------|
| mounting position |  | any          |
| Mounting type     |  | screw fixing |

#### Certificates/ approvals:

| General Product Approval | Declaration of Conformity | other |
|--------------------------|---------------------------|-------|
|--------------------------|---------------------------|-------|



[Confirmation](#)

#### Further information

**Information- and Downloadcenter (Catalogs, Brochures,...)**

<http://www.siemens.com/industrial-controls/catalogs>

**Industry Mall (Online ordering system)**

<http://www.siemens.com/industrymall>

**Cax online generator**

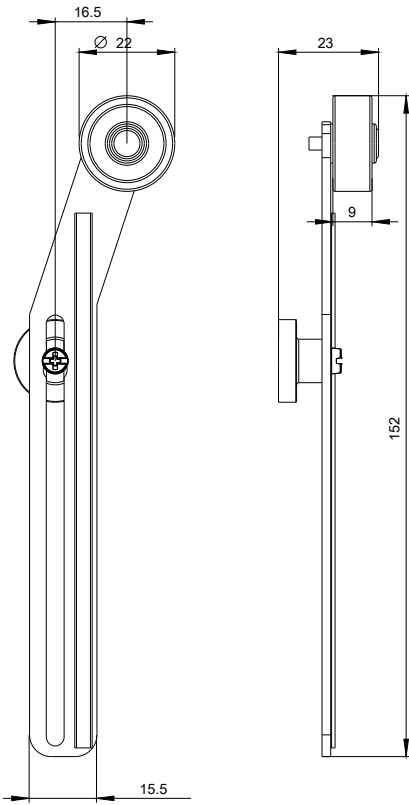
<http://support.automation.siemens.com/WW/CAXorder/default.aspx?lang=en&mlfb=3SE5000AA56>

**Service&Support (Manuals, Certificates, Characteristics, FAQs,...)**

<http://support.automation.siemens.com/WW/view/en/3SE5000AA56/all>

**Image database (product images, 2D dimension drawings, 3D models, device circuit diagrams, EPLAN macros, ...)**

[http://www.automation.siemens.com/bilddb/cax\\_de.aspx?mlfb=3SE5000AA56&lang=en](http://www.automation.siemens.com/bilddb/cax_de.aspx?mlfb=3SE5000AA56&lang=en)



last modified:

09.03.2015