

ROTARY OPERATOR WITH SHAFT STUB WITHOUT HANDLE FOR RETROFIT 8UC ACCESSORY FOR: 3VA2 400/630



Figure similar

Model

product brand name	SENTRON
--------------------	---------

Product details

Product component / axis extension	No
Product property / lockable	Yes

Accessories

accessories	Direct rotary operating mechanism without handle
Height	mm 93.5

General Product Approval	EMC	Declaration of Conformity	other
--------------------------	-----	---------------------------	-------



[other](#)



EG-Konf.

[other](#)

Further information

Information- and Downloadcenter (Catalogs, Brochures,...)

<http://www.siemens.com/lowvoltage/catalogs>

Industry Mall (Online ordering system)

<https://eb.automation.siemens.com/mall/en/WW/Catalog/Product/3VA94670GK00>

Service&Support (Manuals, Certificates, Characteristics, FAQs,...)

<http://support.automation.siemens.com/WW/view/en/3VA94670GK00/all>

Image database (product images, 2D dimension drawings, 3D models, device circuit diagrams, ...)

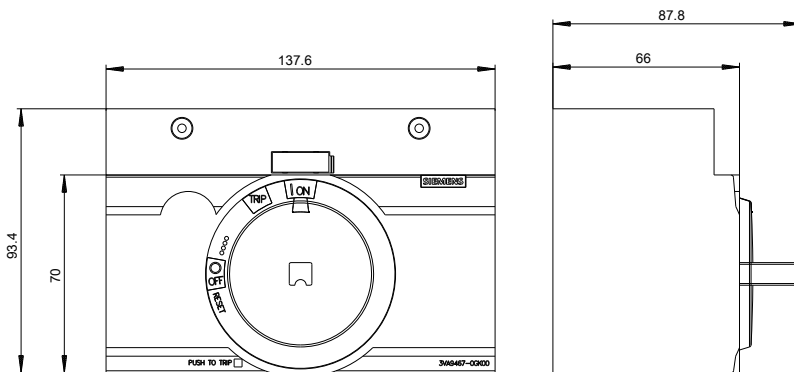
http://www.automation.siemens.com/bilddb/cax_en.aspx?mlfb=3VA94670GK00

CAX-Online-Generator

<http://www.siemens.com/cax>

Tender specifications

<http://ausschreibungstexte.siemens.com/tiplv>



last modified:

16.03.2015