

Compact 2.4 GHz WiFi/Bluetooth/BLE Patch Antenna



APARN1204-S2450



12.0 x 12.0 x 4.0 mm
RoHS/RoHS II Compliant
MSL = N/A

Features

- Compact 12.0 x 12.0 mm patch
- Peak gain of 2 dBi
- Linear polarization
- Surface mount
- 2.4 GHz WiFi/Bluetooth support

Applications

- WiFi/Bluetooth/BLE/Zigbee/ISM
- IoT
- Drones, robotics
- AR/VR applications
- Industrial controls

Electrical Characteristics

Item	Spec
Working Frequency	2400~2500MHz
Bandwidth	100MHz @ -7dB Return Loss
Dimension	12.0 x 12.0 x 4.0mm
VSWR	3.0 max @ Center Frequency
Peak Gain	+2 dBi typ.
Polarization	Linear
Impedance	50 Ω
Operating Temperature	-40°C to +105°C
Termination	Ag (Environmentally-Friendly Pb Free)

* Above values are measured on 50.0 x 50.0 mm² Evaluation Board

Compact 2.4 GHz WiFi/Bluetooth/BLE Patch Antenna

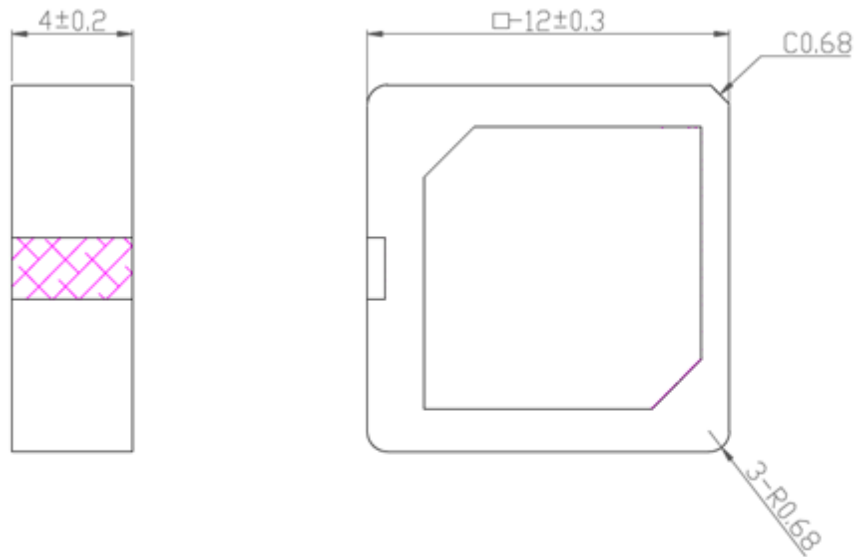


APARN1204-S2450



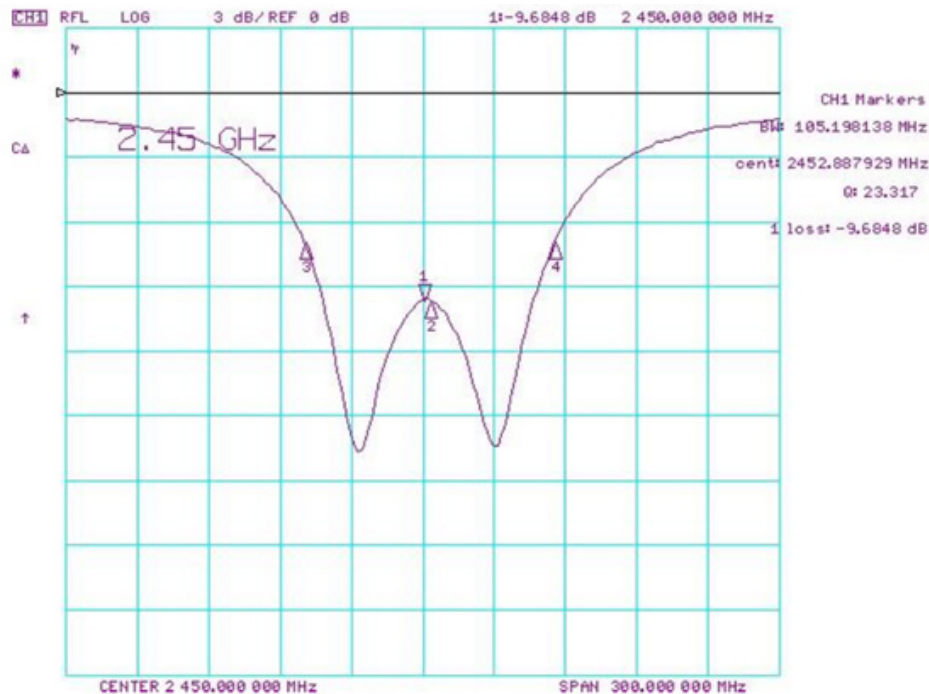
12.0 x 12.0 x 4.0 mm
RoHS/RoHS II Compliant
MSL = N/A

Dimensions



Unit: mm

Typical Electrical Characteristics



With a 50.0 x 50.0 mm² Evaluation Board



5101 Hidden Creek Ln Spicewood TX 78669
Phone: 512-371-6159 | Fax: 512-351-8858
For terms and conditions of sales, please visit:
www.abracon.com

REVISED: 11.12.2018

ABRACON IS
ISO9001-2015
CERTIFIED

Compact 2.4 GHz WiFi/Bluetooth/BLE Patch Antenna

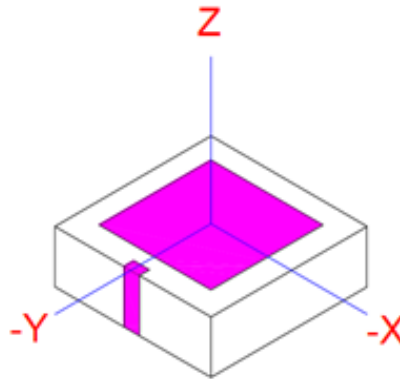


APARN1204-S2450

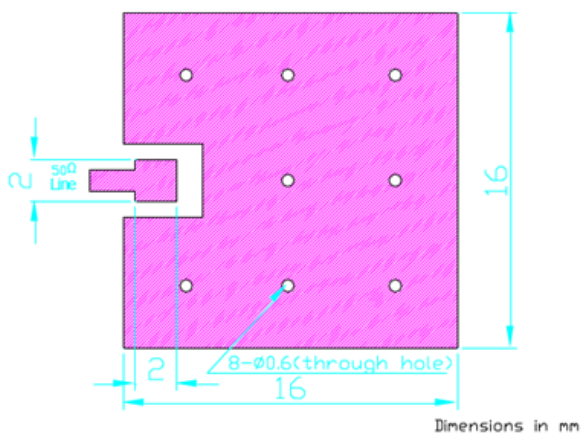


12.0 x 12.0 x 4.0 mm
RoHS/RoHS II Compliant
MSL = N/A

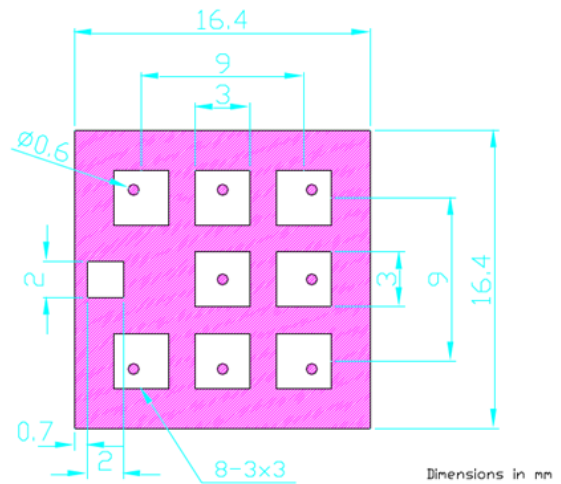
Definition of X-Y-Z Plane



Recommended PC Board Patterns



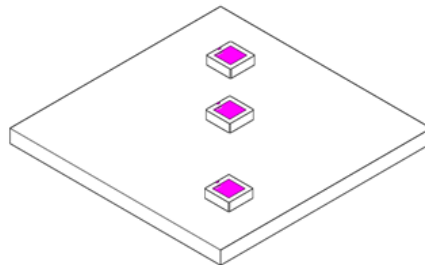
Electrode



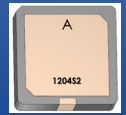
Solder Resist

Antenna Mounting Method

This antenna can be mounted in any position on a main board.



Compact 2.4 GHz WiFi/Bluetooth/BLE Patch Antenna



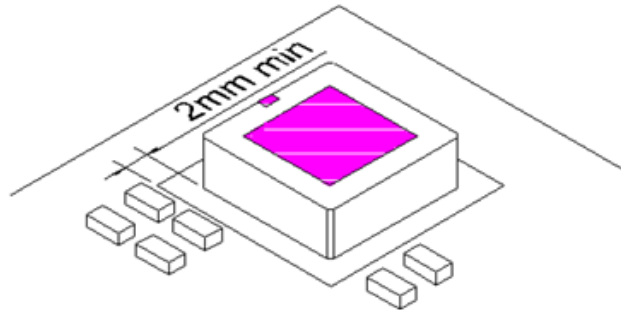
APARN1204-S2450



12.0 x 12.0 x 4.0 mm
RoHS/RoHS II Compliant
MSL = N/A

Antenna Mounting Method

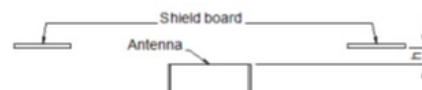
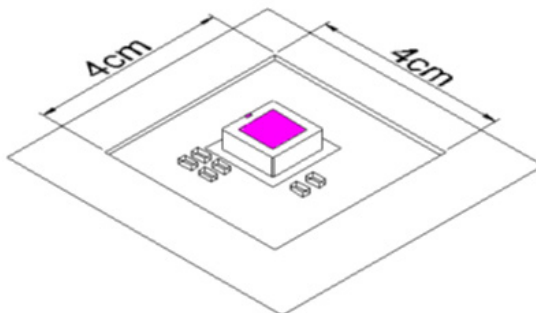
Other components should be mounted about 2mm apart from the antenna (16x16mm land pattern recommended).



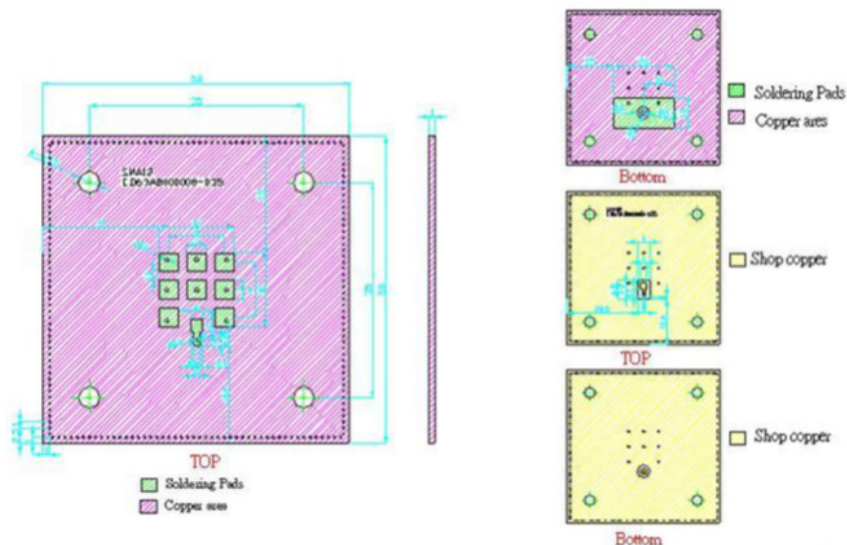
Surroundings Around Mounted Antenna

The surroundings around the mounted antenna should be preferably free from any metal piece, because the gain and directivity are affected by a metal piece.

If the antenna is incorporated in equipment with electromagnetic shielding, open a 4x4cm or larger window through the shielding (h=0mm). Then its gain is hardly lower. (If h is high, make the window larger).



Evaluation Board Dimensions



Compact 2.4 GHz WiFi/Bluetooth/BLE Patch Antenna



APARN1204-S2450



12.0 x 12.0 x 4.0 mm
RoHS/RoHS II Compliant
MSL = N/A

Environmental Conditions

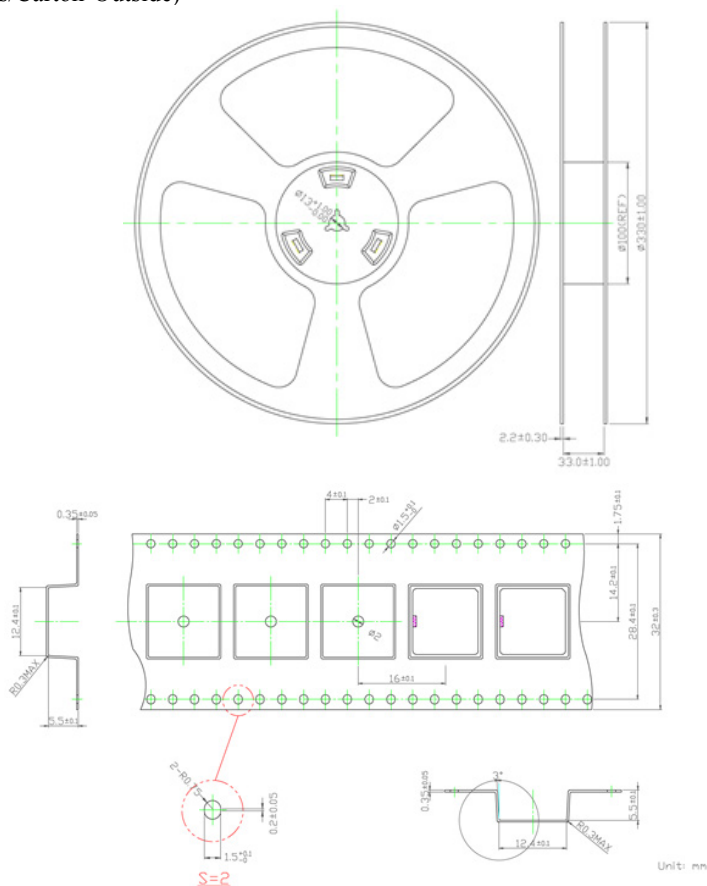
Item	Spec
Operational Temperature	-40°C to + 105°C
Relative Humidity	0% to 95% @ +40°C
Maximum Temperature for Soldering of Feed Pin	+290°C for 3 seconds

Precautions

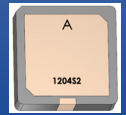
- Antenna pattern use an silver electrode.
- Please don't use the corrosion gas (sulfur gas, chlorine gas) in the atmosphere.
- Please don't direct solder onto the silver electrode of Antenna pattern.

Packaging

1. 500pcs/reel
2. 350 x 340 x 67mm(500pcs/Carton-Inside)
3. 370 x 360 x 305mm(2000pcs/Carton-Outside)
4. GW - 10.46KG



Compact 2.4 GHz WiFi/Bluetooth/BLE Patch Antenna



APARN1204-S2450



12.0 x 12.0 x 4.0 mm
RoHS/RoHS II Compliant
MSL = N/A

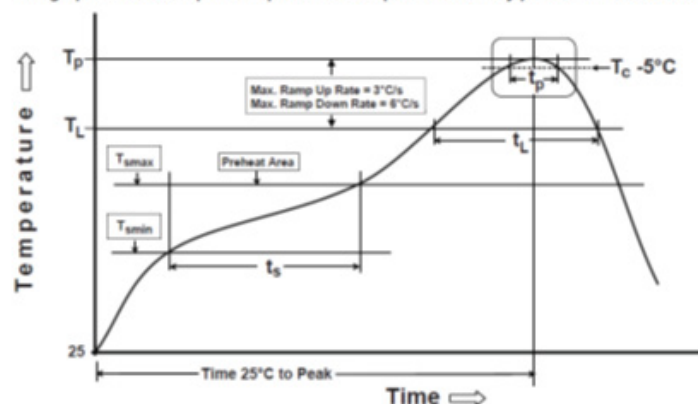
Recommended Reflow Soldering Profile

Abrakon Products can be assembled following Pb-free assembly. According to the standard **IPC/JDEC J-STD-020C**, the temperature profile suggested is as follows:

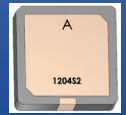
Phase	Profile features	Pb-Free Assembly (SnAgCu)
PREHEAT	-Temperature Min(T_{smin})	150°C
	-Temperature Max(T_{smax})	200°C
	-Time(t_s) form (T_{smin} to T_{smax})	60-120 seconds
RAMP-UP	Avg. Ramp-up Rate (T_{smax} to T_P)	3°C/second(max)
REFLOW	-Temperature(T_L)	217°C
	-Total Time above T_L (t_L)	30-100 seconds
PEAK	-Temperature(T_P)	260°C
	-Time(t_p)	20-30 second
RAMP-DOWN	Rate	6°C / second max.
Time from 25°C to Peak Temperature		8 minutes max.
Composition of solder paste		96.5Sn/3Ag/0.5Cu
Solder Paste Model		SHENMAO PF606-P26

Note: All the temperature measure points are on the top surface of the component. If the temperature is over recommended, it will make the component surface peel or damage.

The graphic shows temperature profile for component assembly process in reflow ovens



Compact 2.4 GHz WiFi/Bluetooth/BLE Patch Antenna



APARN1204-S2450



12.0 x 12.0 x 4.0 mm
RoHS/RoHS II Compliant
MSL = N/A

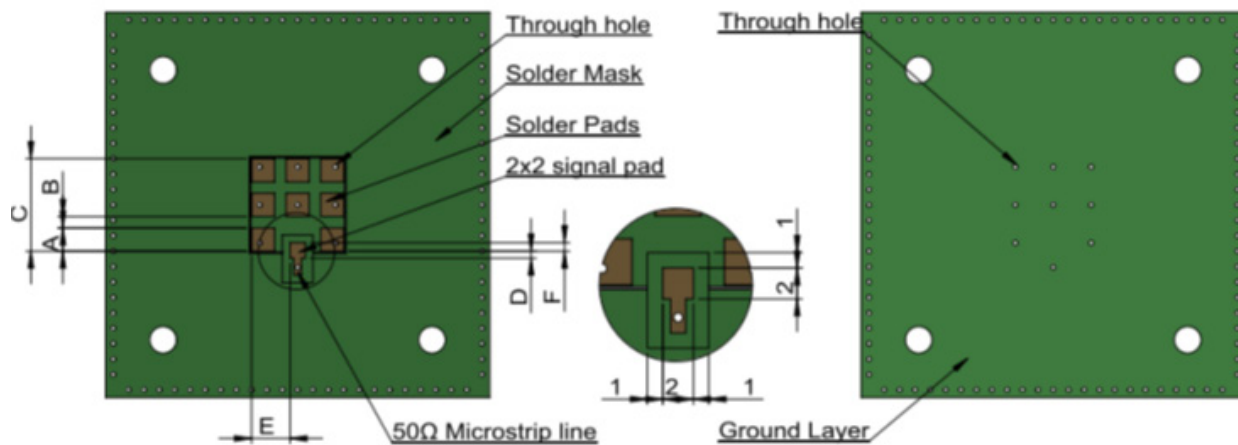
Soldering With Iron:

Soldering condition:

Soldering iron temperature 270 ± 10 °C.

Apply preheating at 120 °C for 2-3 minutes. Finish soldering for each terminal within 3 seconds. If soldering iron is over the temperature 270 ± 10 °C or held longer than 3 seconds, it will make the component surface peel or damage.

Recommendations of the Antenna Foot Print Tables:

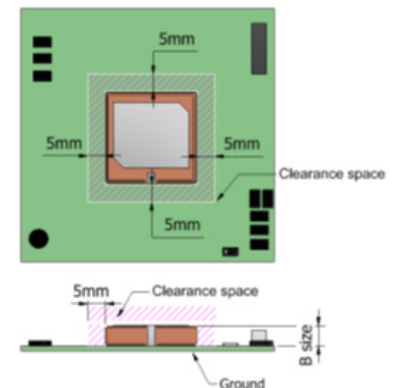


Type/Size	A	B	C	D	E	F
12x12x4	3±0.2	1.5±0.2	12±0.2	0.9±0.2	5.0±0.2	1.1±0.2

Unit: mm

Recommendations of The PCB Layout:

- It needs at least 5mm clearance between LCD panel/shielding and around antenna.
- Keep ground area around antenna as symmetrical as possible.
- It's can't be obscured metal in top of antenna space.



ATTENTION: Abracon LLC's products are COTS – Commercial-Off-The-Shelf products; suitable for Commercial, Industrial and, where designated, Automotive Applications. Abracon's products are not specifically designed for Military, Aviation, Aerospace, Life-dependent Medical applications or any application requiring high reliability where component failure could result in loss of life and/or property. For applications requiring high reliability and/or presenting an extreme operating environment, written consent and authorization from Abracon LLC is required. Please contact Abracon LLC for more information.



5101 Hidden Creek Ln Spicewood TX 78669
Phone: 512-371-6159 | Fax: 512-351-8858
For terms and conditions of sales, please visit:
www.abracon.com

REVISED: 11.12.2018

ABRACON IS
ISO9001-2015
CERTIFIED