

Product information

31 21 160

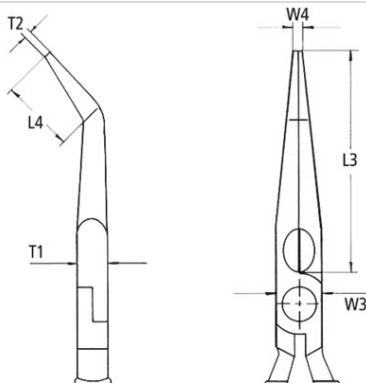
Flat Nose Pliers (Needle-Nose Pliers)

- Precision pliers for very exact assembly, bending and adjusting work
- With extra long jaws: length of jaws 55.0 mm
- Smooth ground gripping surfaces
- Edges carefully deburred
- Chrome vanadium electric steel, forged, oil-hardened



General	
Article No.	31 21 160
EAN	4003773046790
Pliers	black atramentized
Head	polished
Handles	plastic coated
Weight	97 g
Dimensions	160 x 55 x 15 mm
REACH compliant	does not contain SVHC
RoHS compliant	not applicable

Technical details	
Jaw thickness (joint) (T1)	7.5 mm
Tips width (W4)	1.8 mm
Tips thickness (T2)	2.5 mm
Gripping surface length (L4)	27.0 mm
Jaw length (L3)	55.0 mm
Head width (W3)	16.0 mm
Head angle	45 °



technical change and errors excepted