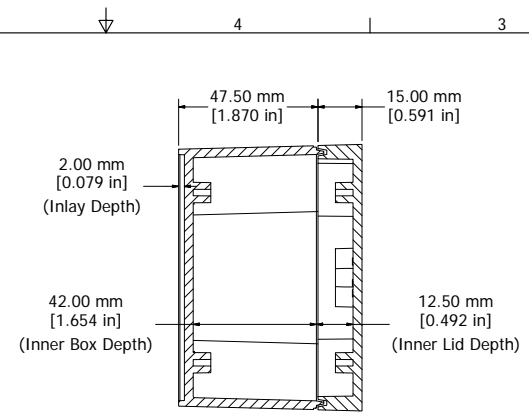
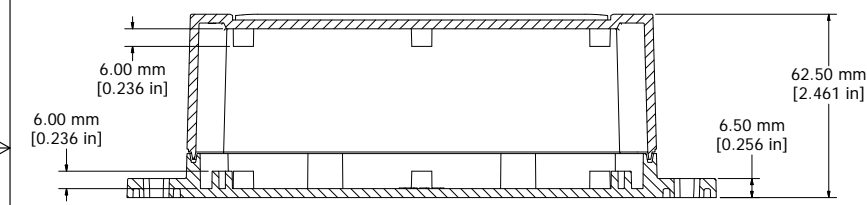
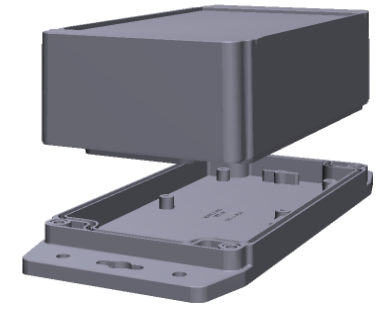


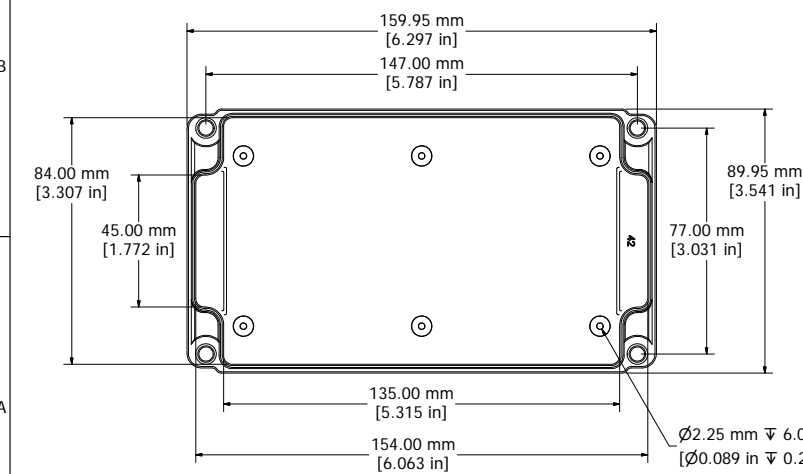
ENCLOSURE ASSEMBLY TOP VIEW



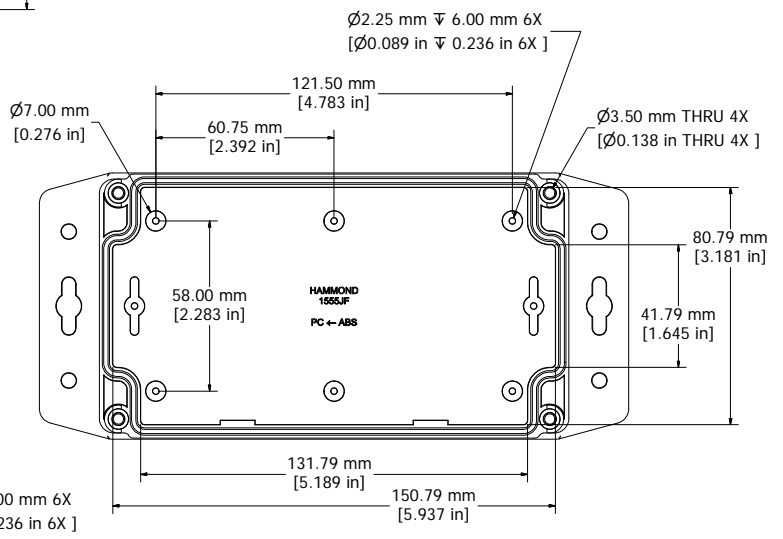
SECTION A-A  
END VIEW OF ASSEMBLY



SECTION B-B (SIDE VIEW OF ASSEMBLY)



BOX INSIDE VIEW



FLANGED LID INSIDE VIEW

Polycarbonate Version Only  
**UL US LISTED**  
 File #E65324  
 NEMA 4, 4X

Enclosures can be Factory Modified (Milling, Drilling, Printing etc.)  
 Solid models of this enclosure available in STEP or IGES.  
 Contact Factory [mjm@hammondmfg.com](mailto:mjm@hammondmfg.com)

NOTE	
Purchased assembly includes styled box, flanged lid, 4 cover screws, and preformed silicone gasket.	
General Purpose ABS version is not UL approved. (Matl UL94 - HB)	
Polycarbonate version is UL 508 approved. (Matl UL94 - V0)	
<b>Recommended Cover screw torque – 2.5 lbf-in (30 cN-m)</b>	

1555JF	
1555JF Regular Enclosure	
General Purpose ABS RAL-7035	1555JF42GY
Polycarbonate RAL-7035	1555J2F42GY
ACCESSORIES	
Steel Inner Panels	1555JFPL
Steel Panel / P.C. Board Self Tapping Screw [#6 X 1/4" (6.4mm) Plated]	1598ATS100
Cover Screws (Pkg 4) [M4 X 20mm Stainless Steel]	SC1554

**HAMMOND MANUFACTURING™**  
 1555JF42  
[www.hammondmfg.com](http://www.hammondmfg.com)