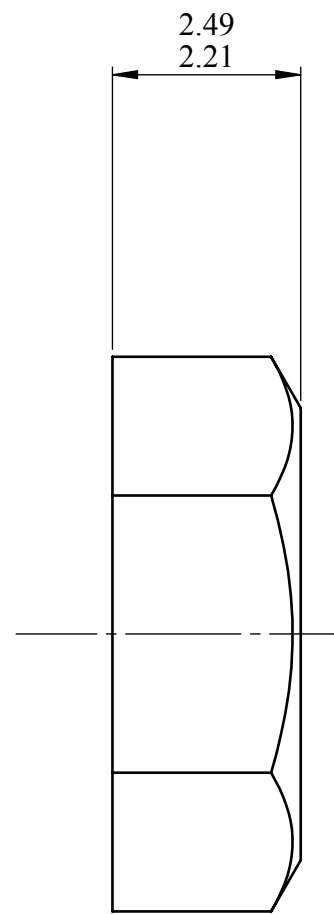
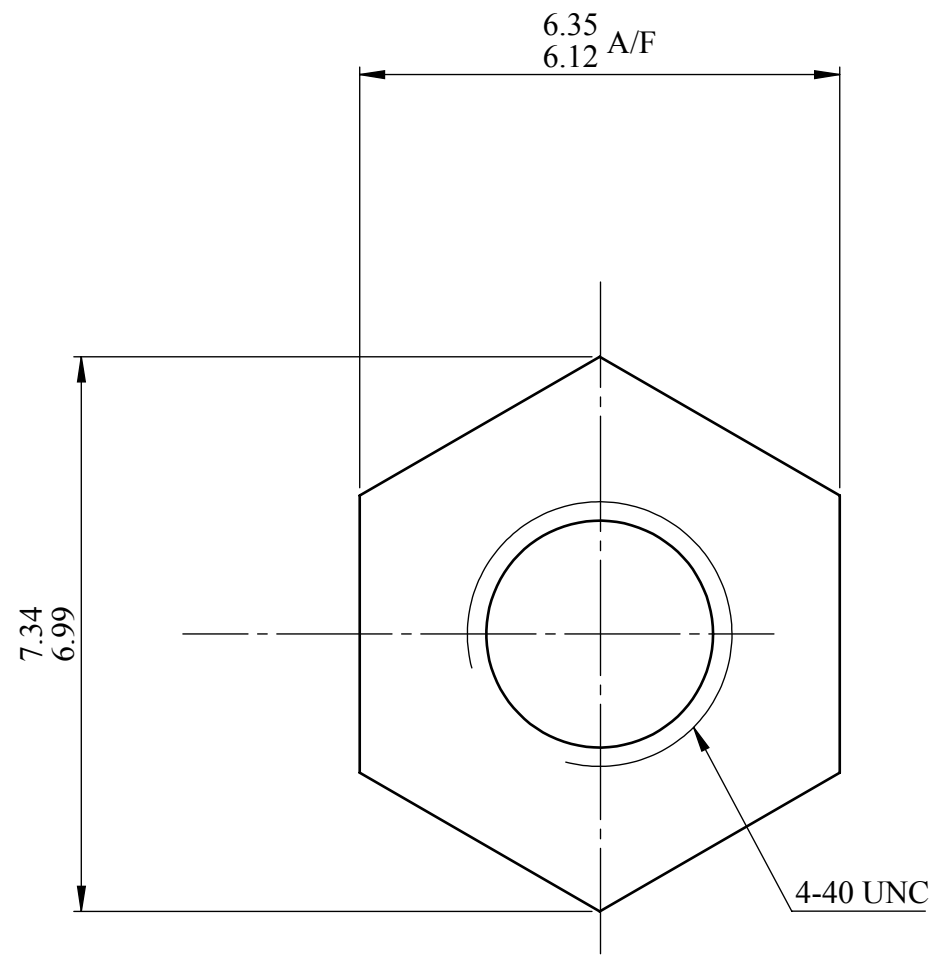


DEBUR AND BREAK SHARP EDGES

DO NOT SCALE DRAWING

REVISION



A DRAWN 16/07/14

NOTES



DESIGN RIGHT. TR FASTENINGS LTD, 2003  
 UNDER NO CIRCUMSTANCES MUST THIS  
 DRAWING BE COPIED OR DISCLOSED,  
 WITHOUT FIRST OBTAINING WRITTEN  
 AUTHORITY.

UNLESS OTHERWISE SPECIFIED:  
 DIMENSIONS ARE IN MILLIMETERS  
 SURFACE FINISH:  
 TOLERANCES:

	NAME	DATE
DRAWN	MARTIN ELLIOTT	16/07/14
CHK'D		
APPV'D		

CUSTOMER PART No

MATERIAL:  
 NYLON 66 UL94 V2  
 NATURAL

HEAT TREATMENT

N/A

FINISH:

N/A

TITLE:

4-40 UNC HEXAGON FULL NUT

DWG NO.

TRNH-440

A3

PROJECTION

