

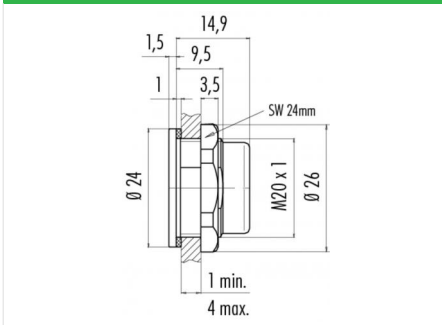
Product description **Contacts: 3, male panel mount connector, black, dip-solder**

Area **Snap-in IP67, miniature Series 720 MED**
 Order number **08 2433 400 001**

Illustration



Scale drawing



You can find the component part drawing and assembly instructions on the next page.

Technical data

General values

Connector design adapter
 Connector locking system snap
 Termination plugable

Electrical values

Pollution degree 2
 Overvoltage category II
 EMC compliance not shielded
 Degree of protection IP67

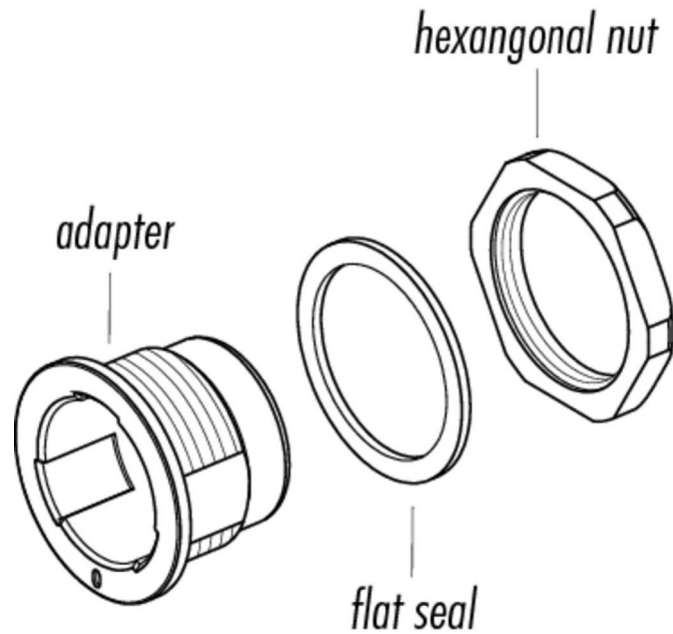
Material

Contact plating Au (gold)
 Housing material PA

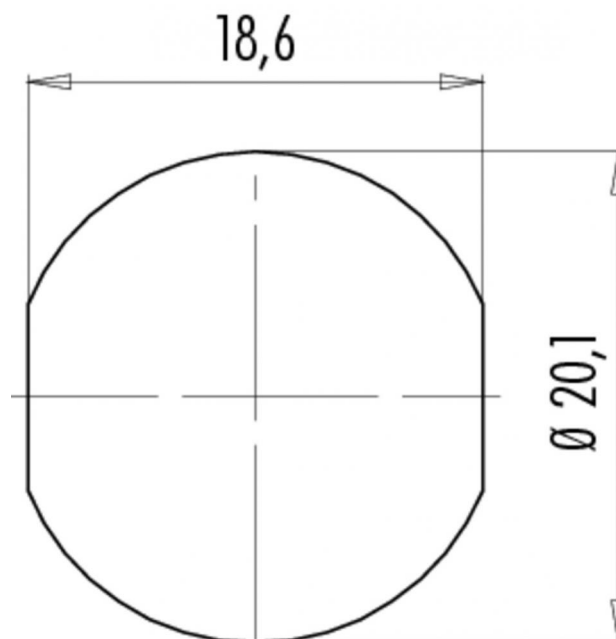
Product description **Contacts: 3, male panel mount connector, black, dip-solder**

Area **Snap-in IP67, miniature Series 720 MED**
Order number **08 2433 400 001**

Component part drawing



Assembly instructions / Panel cut-out



Product description	Contacts: 3, male panel mount connector, black, dip-solder
Area	Snap-in IP67, miniature Series 720 MED
Order number	08 2433 400 001

Security notices

The connector must not be connected or separated under load. Non-observance and incorrect use can result in personal injury.

The connectors are designed for use in plant, control system and electrical equipment. The end user is responsible for checking whether the connectors are suitable for use in other applications.

Connectors with degree of protection IP 67 and IP 68 are not suitable for use under water. When used outdoors, the connectors must be separately protected against corrosion. For further information about IP degrees of protection refer to 'Technical support' in the Download Centre.