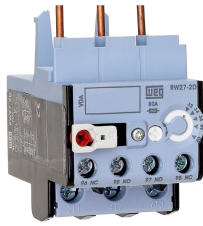


DATASHEET

Thermal Overload Relay



Main Features

| | |
|---------------|--------------|
| Reference | : RW27 |
| Product code | : 12140444 |
| Compatibility | : See note 1 |
| Current range | : 0,8-1,2 A |

Basic data

| | |
|---------------------------------------|--------------|
| Rated voltage Ue | |
| - IEC | : 690 V |
| - UL | : 600 V |
| - IEC | : 690 V |
| - UL | : 600 V |
| Rated impulse withstand voltage Uimp | : 6 kV |
| Number of poles | : 3 poles |
| Trip class | : 10 |
| Operation frequency | : 25...400Hz |
| Suitable for use with DC loads | : Yes |
| Maximum operating frequency | : 15 ops./h |
| Resistance to impact (IEC 60068-2-27) | : 10/11 g/ms |

Installation

| | |
|----------------------------------|--------|
| Degree of protection (IEC 60529) | |
| - Main terminals | : IP10 |
| - Auxiliary terminals | : IP20 |

Main contacts

| | |
|------------------------------------|----------|
| Rated voltage Ue | |
| - IEC | : 690 V |
| - UL | : 600 V |
| Max. Fuse (type 2 coordination) | : 4gL/gG |
| Average power dissipation per pole | : 3 W |

Auxiliary contacts

| | |
|---|----------|
| Insulation voltage Ui | |
| - IEC | : 690 V |
| - UL | : 600 V |
| Rated operational voltage Ue (acc. to UL) | : 600 V |
| Rated thermal current Ith ($\theta = 55^{\circ}\text{C}$) | : 6 A |
| Rated current Ie AC-14/AC-15 (IEC 60947-5-1) | |
| - 24 V | : 4 A |
| - 60 V | : 3,5 A |
| - 125 V | : 3 A |
| - 230 V | : 2 A |
| - 400 V | : 1,5 A |
| - 500 V | : 0,5 A |
| - 690 V | : 0,3 A |
| Rated current Ie - DC-DC-13/14 (IEC 60947-5-1) | |
| - 24V | : 1 A |
| - 60V | : 0,5 A |
| - 110V | : 0,25 A |
| - 220V | : 0,1 A |
| Short circuit protection with fuses (gL/gG) | : 6gL/gG |
| Rated current Ie - UL, CSA | |
| - Rated operational current | : C600 |
| - DC Rated operational current | : R300 |

Connection

Power circuit

| | |
|---|---|
| Type of screw | : M4x10 Phillips |
| Terminal capacity: | |
| Flex (IEC) | : 6 mm ² ... 10 mm ² |
| Conductors with wire/terminal drive (IEC) | : 1,5 mm ² ... 6 mm ² |
| Wire/cable AWG (UL) | : 18 AWG ... 2 AWG |
| Tightening torque | |
| - IEC | : 2,3 N.m |
| - UL | : 20 lb.in |

Auxiliary contacts

| | |
|--------------------|--|
| Screw type | : M3,5x10 Phillips |
| Terminal capacity: | |
| Flex cable (IEC) | : 1 mm ² 2,5 mm ² |

DATASHEET

Thermal Overload Relay



Wire/cable AWG (UL) : 16 AWG ... 12 AWG
Tightening torque : 1,5 N.m
- IEC : 13 lb.in
- UL

Ambient conditions

Temperature
- Operating : -20 °C (-4 °F) ... +70 °C (158 °F)
- Temperature for transport and storage : -50 °C (-58 °F) ... +80 °C (176 °F)
Temperature compensation (IEC 60947-4-1) : -20 °C (-4 °F) ... +60 °C (140 °F)
Normal conditions : 2000 m (6562 ft)

Current reduction factor:

| Altitude (h) | Operational voltage | Current correction factor |
|----------------------------|---------------------|---------------------------|
| $h \leq 2000$ m | 690 V | 1 x I _n |
| 2000 m < $h \leq 3000$ m | 550 V | 0,96 x I _n |
| 3000 m < $h \leq 4000$ m | 480 V | 0,93 x I _n |
| 4000 m < $h \leq 5000$ m | 420 V | 0,9 x I _n |

Dimensions

Height : 72 mm / 2.83 in
Width : 45 mm / 1.77 in
Depth : 82 mm / 3.23 in
Gross weight : 0,165 kg / 0.36 lb

Standards

- IEC 60947-4-1
- CSA C.22.2/14
- UL 60947-4-1 (UL 508)

Certifications

- Certification: CE
- Certification: IRAM
- Certification: UL

Notes

- 1) Mounting: Direct on the contactor or by screw and rail DIN 35 mm (EN 50022) using accessory;
- 2) Image merely illustrative.

1

2

3

4

5

6

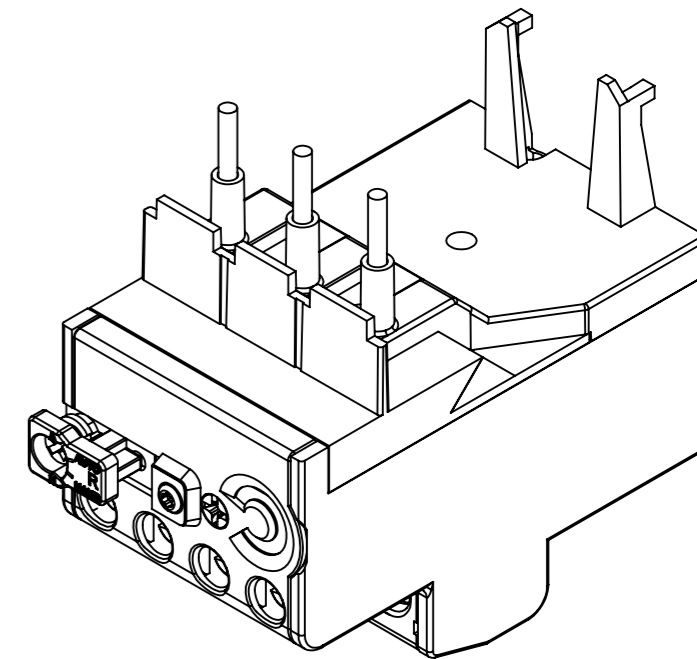
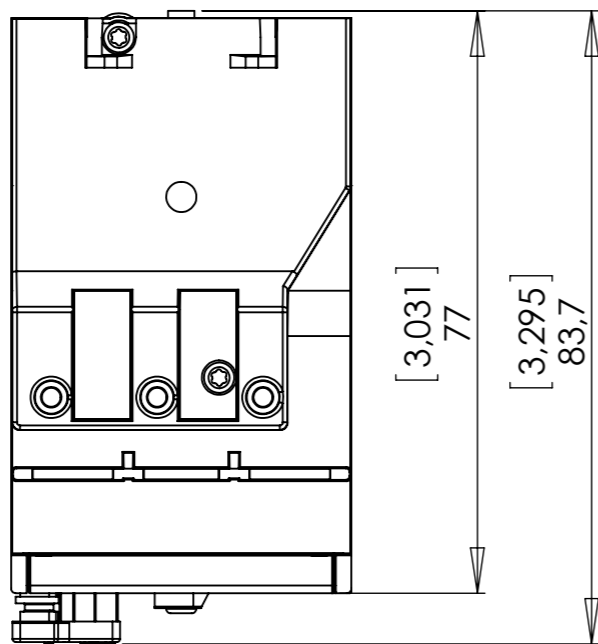
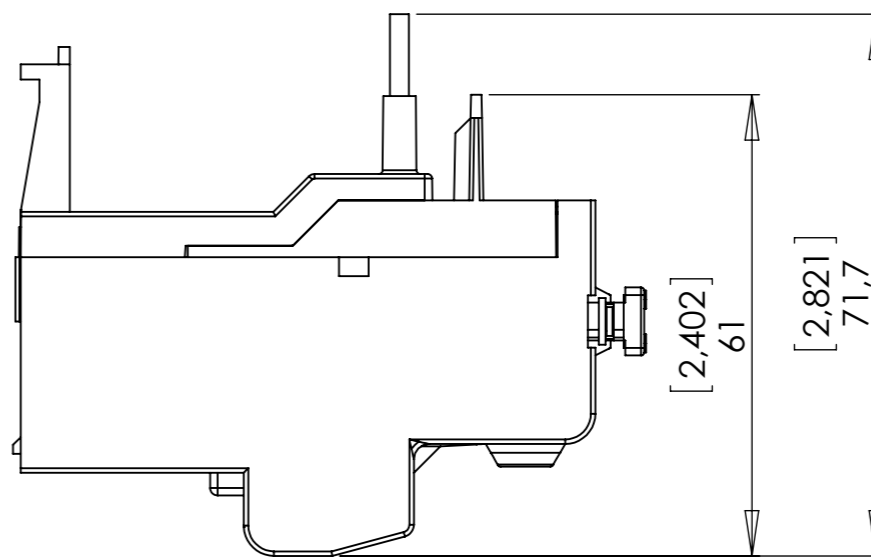
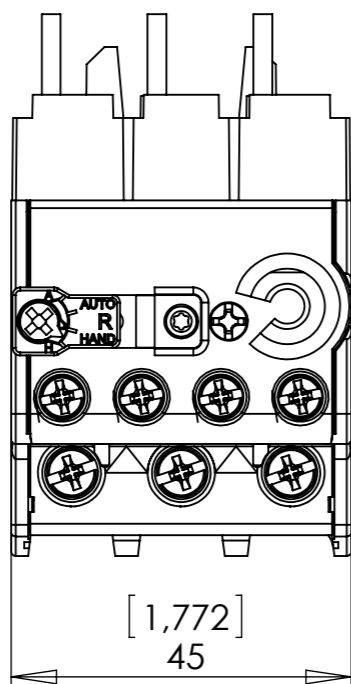
A

B

C

D

E



RW27-2D3

30/08/2012

1:1

mm [inches]



Los valores demostrados pueden ser cambiados sin aviso previo. La información es de referencia solamente.

Sujeito a alteração sem aviso prévio. As informações contidas são valores de referência. The values shown are subject to change without prior notice. The information is for reference only.

A3