

aluNORM



Modulare Aluminium-Gehäuse

Modular aluminium enclosures

Modulaire aluminiumbehuizingen

TECHNISCHEDATEN **aluNORM**

Gehäuse

Aluminiumguss Legierung:
GD Al Si 12 / DIN 1725.
Entformungsschräge 1° ⇒ Lichte
Innenmaße reduzieren sich bis
zum Gehäuseboden um 1° um-
laufend.

Schrauben

Deckelschrauben aus Edelstahl,
unverlierbar.

Schutzart

IP 66 / EN 60529

Dichtung

Nut-Feder-System mit Nut im
Gehäusedeckel, mit öl- und
benzinbeständiger Neopren-
Rundschnur-Dichtung. (-30°C bis
+ 100°C), auf Wunsch: Silicon-
Dichtung (-50°C bis + 140°C).

Temperaturbeständigkeit

- 30°C bis + 100°C

Befestigung

Einkanaldeckel- und Montage-
befestigung außerhalb des
Dichtraums. Durch symme-
trische Anordnung auch bei qua-
dratischen Gehäusen in jeder
Lage problemlos verschraubbar.

Außenbefestigung

Speziell entwickelte Außenbe-
festigungslaschen aus Alumi-
nium-Druckguss. Lieferbar ab
AS 080.

Einbauten

Befestigungspunkte im Deckel
und in seitlichen Stegen mit Ge-
winde-Sacklöchern am Gehäu-
seboden.
Montageplatte aus verzinktem
Stahlblech als Zubehör.

Lackierung

Standard-Pulverlackierung
Kieselgrau RAL 7032, silber-
grau RAL 7001 ohne Mehrpreis.
Strukturlack eingebrannt und
Sonderfarben auf Wunsch.

Anwendungsbereiche:

Maschinenbau
Anlagenbau
Regeltechnik
im Freien

- 1 4 verschiedene Varianten
AS, AD, AF, AH
- 2 Kompatible Einbaumaße mit der
Serie polyTOP (Polyestergehäuse)
- 3 Platzsparende Einkanalbefesti-
gung, dadurch entsteht ein vergröß-
erter Innenraum
- 4 Schutzart IP 66 oder wahlweise mit
Sonderdichtung IP 67 möglich
- 5 Große Auswahl von Gehäuseab-
messungen

TECHNICAL DATA **aluNORM**

Enclosure

Die-cast aluminium:
GD Al Si 12 / DIN 1725.
1° mould slope for casting
ejection ⇒ Internal measures
diminishing circulatory towards
enclosure bottom by 1°.

Lid-screws

Captive screws made of stain-
less steel.

Ingress protection

IP 66 / EN 60529

Gasket

Oil and petrol resistant neop-
rene string gasket in the enclou-
sure lid (- 30°C up to + 100°C),
Silicon-gasket (- 50° C up to +
140° C) on request.

Temperature range

- 30°C up to + 100°C

Fastening

Single-channel lid and screw-
fastening outside the enclosure
interior. Trouble free screwing
also with square enclosures due
to symmetric arrangement of
channels.

External mounting

Specially developed external
mounting brackets made of
die-cast aluminium. Available
from AS 080.

Internal mounting

Mounting points in the lid and
attached to lateral placed brid-
ges placed sideways with blind
holes in the enclosure bottom.
Zinc galvanised steel-plate
mounting plates available on
request.

Coating

Standard powder coated silky
grey RAL 7032, silver grey
RAL 7001 possible without
additional cost. Stove-finished
structure paint, special colours
on request.

Area of application:

Mechanical engineering
Installation engineering
Control engineering
outside

- 1 4 different sizes: AS, AD, AF, AH
- 2 Compatible with series polyTOP
(polyester enclosures)
- 3 Space-saving single-channel moun-
ting providing a larger interior
- 4 Ingress protection class IP 66 or,
on request IP 67 with special gas-
ket
- 5 Wide variety of sizes

TECHNISCHE GEGEVENS **aluNORM**

Behuizing

Gietaluminiumlegering:
GD Al Si 12 / DIN 1725
Afschuining 1° ⇒ binnenwerkse
maten reduceren zich rondom tot
de behuizingsbodem met 1°.

Dekselbouten

Dekselbouten van roestvrij staal,
niet verliesbaar.

Beschermklasse

IP 66 / EN 60529

Afdichting

Messing- en groefsystem met groef
in het deksel van de behuizing,
met olie- en benzineresistente O-
ringafdichting van neopreen. (-30°C
tot +100°C). Op aanvraag silicone
afdichting (-50° tot +140°C).

Temperatuurbestendigheid

-30°C tot +100°C

Bevestiging

Eenkanaldecksel- en montage-
bevestiging buiten de afgedichte
ruimte. Door de symmetrische
opstelling ook bij vierkante
behuizingen in iedere positie zonder
problemen vast te schroeven.

Buitenbevestiging

Speciaal ontwikkelde buite
nbevestigingsstrippen van
persgietaluminium. Beschikbaar
vanaf AS 080.

Inbouw

Befestigingpunten in zijdelingse
bruggen met schroefdraadzakgaten
op de behuizingsbodem.
Montageplaat van verzinkt
plaatstaal als toebehoren.

Lakken

Als standaard gemoffeld.
Kieselgrijs RAL 7032, zilvergrijs RAL
7001 zonder meerprijs.
Gemoffelde structuurlak en speciale
kleuren op aanvraag.

Toepassingsgebieden:

Machinbouw
Installatiebouw
Regeltechnik
In openlucht

- 1 4 Verschillende varianten AS, AD,
AF AH
- 2 Compatibele inbouwafmetingen-
met de serie polyTOP (behuizing
van polyester)
- 3 Plaatsbesparende eenkanaalbeves-
tiging, waardoor een grotere
binnenruimte ontstaat
- 4 Beschermklasse IP 66 of indien
gewenst met speciale afdichting IP
67 mogelijk
- 5 Grote keuze aan afmetingen voor
de behuizingen

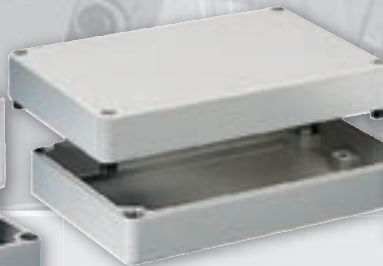


aluNORM

Modulare Aluminium-Gehäuse
 Modular aluminium enclosures
 Modulaire behuizingen van aluminium

ROLEC

..protects..



AD

AF

AH

AS



M Montageplatten
 Mounting plates
 Montageplaten



T Tragschienen für Reihen-
 klemmen
 Supporting rail for series
 terminals
 Draagrail voor
 serieklemmen



IS Verdeckte Innenscharniere
 Internal hinges
 Verdoeken binnenscharnieren



EMV Abschirmung
 Shielding
 Afscherming



D Silicon Deckeldichtung
 Silicon enclosure gasket
 Silicone dekselafdichting



S Scharniere
 Hinges
 Scharnieren



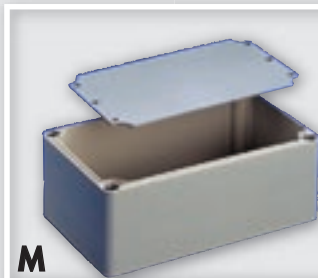
HS Haltescharniere
 Hold hinges
 Bevestigingsscharnieren



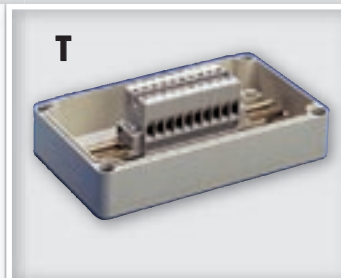
A Außenbefestigungslaschen
 External mounting brackets
 Buitenbevestigingsstrippen



PLUS Schutzart IP 67
 Protection class IP 67
 Beschermlasse IP 67



M



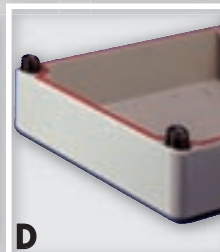
T



IS



EMV



D



S



HS



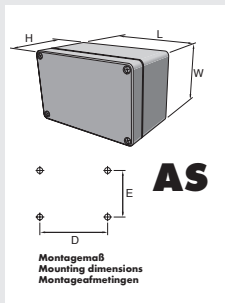
A



A

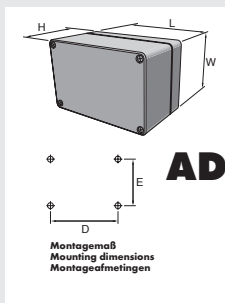


aluNORM



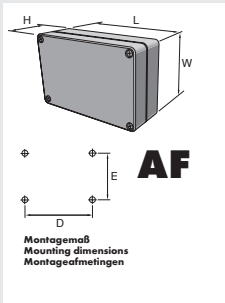
Type	MAT-NR.	L	W	H	D	E	g												
AS 060	100.060.000	50	65	40	38	53	130	●	●	○	●	●	●	○	○	○	●	●	
AS 062	100.062.000	65	65	40	53	53	310	●	●	○	●	●	●	○	○	○	●	●	
* AS 064	100.064.000	100	65	40	88	53	220	●	●	○	●	●	●	○	○	○	●	●	
AS 066	100.066.000	150	65	40	138	53	310	●	●	○	●	●	●	○	○	○	●	●	
* AS 080	100.080.000	80	80	60	67	67	320	●	●	●	●	●	●	○	○	○	●	●	
* AS 082	100.082.000	120	80	60	107	67	460	●	●	●	●	●	●	○	○	○	●	●	
* AS 084	100.084.000	160	80	60	147	67	610	●	●	●	●	●	●	○	○	○	●	●	
* AS 100	100.100.000	100	100	80	87	87	550	●	●	●	○	●	●	●	○	●	●	●	
* AS 102	100.102.000	150	100	80	137	87	730	●	●	●	○	●	●	●	○	●	●	●	
* AS 104	100.104.000	200	100	80	187	87	910	●	●	●	○	●	●	●	○	●	●	●	
AS 120	100.120.000	120	120	100	102	102	1.070	●	●	●	○	●	●	●	●	●	●	●	
AS 122	100.122.000	180	120	100	162	102	1.310	●	●	●	○	●	●	●	●	●	●	●	
AS 124	100.124.000	240	120	100	222	102	1.680	●	●	●	○	●	●	●	●	●	●	●	
* AS 160	100.160.000	160	160	100	142	142	1.520	●	●	●	○	●	●	●	●	●	●	●	
* AS 162	100.162.000	240	160	100	222	142	1.980	●	●	●	○	●	●	●	●	●	●	●	
AS 164	100.164.000	320	160	100	302	142	2.480	●	●	●	○	●	●	●	●	●	●	●	
AS 166	100.166.000	480	160	100	462	142	3.900	●	●	●	○	●	●	●	●	●	●	●	
AS 200	100.200.000	200	200	120	180	180	2.480	●	●	●	○	●	●	●	●	●	●	●	
AS 202	100.202.000	300	200	120	280	180	3.250	●	●	●	○	●	●	●	●	●	●	●	
AS 204	100.204.000	400	200	120	380	180	4.700	●	●	●	○	●	●	●	●	●	●	●	
AS 240	100.240.000	240	240	120	220	220	3.400	●	●	●	○	●	●	●	●	●	●	●	
AS 242	100.242.000	360	240	120	340	220	4.000	●	●	●	○	●	●	●	●	●	●	●	
AS 244	100.244.000	480	240	120	460	220	6.100	●	●	●	○	●	●	●	●	●	●	●	
AS 320	100.320.000	320	320	120	300	300	4.900	●	●	●	○	●	●	●	●	●	●	●	
AS 322	100.322.000	480	320	120	460	300	6.600	●	●	●	○	●	●	●	●	●	●	●	
AS 324	100.324.000	640	320	120	620	300	8.700	●	●	●	○	●	●	●	●	●	●	●	

* Thermoplastische Formdichtung
 Thermoplastic gasket
 Thermoplastische afdichting



Type	MAT-NR.	L	W	H	D	E	g													
* AD 080	101.080.000	80	80	60	67	67	320	●	●	●	●	●	●	●	○	○	○	●	●	
* AD 082	101.082.000	120	80	60	107	67	460	●	●	●	●	●	●	●	○	○	○	●	●	
* AD 084	101.084.000	160	80	60	147	67	610	●	●	●	●	●	●	●	○	○	○	●	●	
* AD 100	101.100.000	100	100	80	87	87	550	●	●	●	●	○	●	●	●	○	●	●	●	
* AD 102	101.102.000	150	100	80	137	87	730	●	●	●	●	○	●	●	●	○	●	●	●	
* AD 104	101.104.000	200	100	80	187	87	910	●	●	●	●	○	●	●	●	○	●	●	●	
AD 120	101.120.000	120	120	100	102	102	1.070	●	●	●	○	●	●	●	●	●	●	●	●	
AD 122	101.122.000	180	120	100	162	102	1.310	●	●	●	○	●	●	●	●	●	●	●	●	
AD 124	101.124.000	240	120	100	222	102	1.680	●	●	●	○	●	●	●	●	●	●	●	●	
* AD 160	101.160.000	160	160	100	142	142	1.520	●	●	●	○	●	●	●	●	●	●	●	●	
* AD 162	101.162.000	240	160	100	222	142	1.980	●	●	●	○	●	●	●	●	●	●	●	●	
AD 164	101.164.000	320	160	100	302	142	2.480	●	●	●	○	●	●	●	●	●	●	●	●	
AD 166	101.166.000	480	160	100	462	142	3.900	●	●	●	○	●	●	●	●	●	●	●	●	
AD 200	101.200.000	200	200	120	180	180	2.480	●	●	●	○	●	●	●	●	●	●	●	●	
AD 202	101.202.000	300	200	120	280	180	3.250	●	●	●	○	●	●	●	●	●	●	●	●	
AD 204	101.204.000	400	200	120	380	180	4.700	●	●	●	○	●	●	●	●	●	●	●	●	
AD 240	101.240.000	240	240	120	220	220	3.400	●	●	●	○	●	●	●	●	●	●	●	●	
AD 242	101.242.000	360	240	120	340	220	4.000	●	●	●	○	●	●	●	●	●	●	●	●	
AD 244	101.244.000	480	240	120	460	220	6.100	●	●	●	○	●	●	●	●	●	●	●	●	
AD 320	101.320.000	320	320	120	300	300	4.900	●	●	●	○	●	●	●	●	●	●	●	●	
AD 322	101.322.000	480	320	120	460	300	6.600	●	●	●	○	●	●	●	●	●	●	●	●	
AD 324	101.324.000	640	320	120	620	300	8.700	●	●	●	○	●	●	●	●	●	●	●	●	

aluNORM



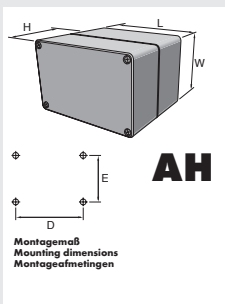
Type	MAT-NR.	L	W	H	D	E	g	M	D	A	Q	B	K	L	T	S	HS	EMV	Plus
* AF 080	102.080.000	80	80	40	67	67	240	●	●	●	●	●	●	○	○	○	○	●	●
* AF 082	102.082.000	120	80	40	107	67	330	●	●	●	●	●	●	○	○	○	○	●	●
AF 084	102.084.000	160	80	40	147	67	400	●	○	●	●	●	●	○	○	○	○	●	○
* AF 100	102.100.000	100	100	54	87	87	420	●	●	●	●	○	●	●	○	○	○	●	●
* AF 102	102.102.000	150	100	54	137	87	540	●	●	●	●	○	●	●	○	○	○	●	●
* AF 104	102.104.000	200	100	54	187	87	690	●	○	●	●	○	●	●	○	○	○	●	○
AF 120	102.120.000	120	120	66	102	102	780	●	○	●	●	○	●	●	●	●	●	●	○
AF 122	102.122.000	180	120	66	162	102	1.010	●	●	●	●	○	●	●	●	●	●	●	●
AF 124	102.124.000	240	120	66	222	102	1.260	●	●	●	●	○	●	●	●	●	●	●	●
AF 160	102.160.000	160	160	66	142	142	1.130	●	○	●	●	○	●	●	●	●	●	●	○
* AF 162	102.162.000	240	160	66	222	142	1.560	●	●	●	●	○	●	●	●	●	●	●	●
AF 164	102.164.000	320	160	66	302	142	1.910	●	○	●	●	○	●	●	●	●	●	●	○
AF 166	102.166.000	480	160	66	462	142	3.030	●	○	●	●	○	●	●	●	●	●	●	○
AF 200	102.200.000	200	200	80	180	180	1.780	●	○	●	●	○	●	●	●	●	●	●	○
AF 202	102.202.000	300	200	80	280	180	2.380	●	○	●	●	○	●	●	●	●	●	●	○
AF 204	102.204.000	400	200	80	380	180	3.560	●	○	●	●	○	●	●	●	●	●	●	○
AF 240	102.240.000	240	240	80	220	220	2.380	●	○	●	●	○	●	●	●	●	●	●	○
AF 242	102.242.000	360	240	80	340	220	3.630	●	○	●	●	○	●	●	●	●	●	●	○
AF 244	102.244.000	480	240	80	460	220	4.690	●	○	●	●	○	●	●	●	●	●	●	○
AF 320	102.320.000	320	320	80	300	300	4.000	●	○	●	●	○	●	●	●	●	●	●	○
AF 322	102.322.000	480	320	80	460	300	5.650	●	○	●	●	○	●	●	●	●	●	●	○
AF 324	102.324.000	640	320	80	620	300	7.350	●	○	●	●	○	●	●	●	●	●	●	○

- M** Montageplatten
Mounting plates
Montageplaten
- D** Silicon Deckeldichtung
Silicon enclosure gasket
Silicone dekselafdichting
- Q** Querträger
Cross rail
Dwarsligger
- A** Außenbefestigungslaschen
External mounting brackets
Buitenbevestigingsstrippen
- B** Blockklemmenträger
Block terminal support
Blokkelemhouder
- EMV** Abschirmung
Shielding
Afscherming
- K** Chromatierung
Chromatizing
Chromatiering
- L** Korrosionsschutzlackierung
Corrosion proof coating
Anticorrosielak

- T** Tragschienen für
Reihenklemmen
Supporting rail for
series terminals
Draagrail voor
serieklemmen
- S** Scharniere
Hinges
Scharnieren
- PLUS** Schutzart IP 67
Protection class IP 67
Beschermlasse IP 67
- IS** Verdeckte Innenscharniere
Internal hinges
Verdoken binnenscharnieren
- HS** Haltescharniere
Hold hinges
Bevestigingsscharnieren

Standard/Standard/standaard
 Lieferbar/available/leverbaar
 Nicht lieferbar/not available/niet-leverbaar

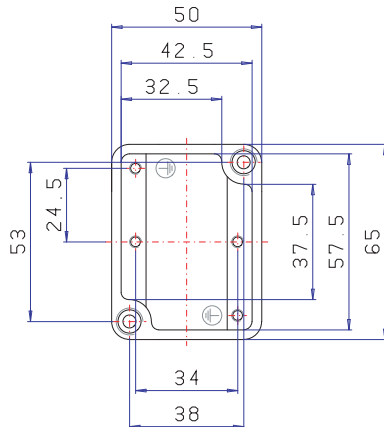
BESTELLBEISPIEL Type: AS 082 + M + A + etc.
ORDER EXAMPLE/BESTELVOORBEELD



Type	MAT-NR.	L	W	H	D	E	g	M	D	A	K	L	T	S	HS	EMV	Plus
* AH 100	103.100.000	100	100	106	87	87	630	●	●	●	●	●	●	●	●	●	●
AH 102	103.102.000	150	100	106	137	87	760	●	○	●	●	●	●	●	●	○	○
AH 104	103.104.000	200	100	106	187	87	940	●	○	●	●	●	●	●	●	○	○
AH 120	103.120.000	120	120	134	102	102	1.280	●	○	●	●	●	●	●	●	○	○
AH 122	103.122.000	180	120	134	162	102	1.560	●	○	●	●	●	●	●	●	○	○
AH 124	103.124.000	240	120	134	222	102	2.000	●	○	●	●	●	●	●	●	○	○
* AH 160	103.160.000	160	160	134	142	142	1.810	●	●	●	●	●	●	●	●	●	●
AH 162	103.162.000	240	160	134	222	142	2.300	●	○	●	●	●	●	●	●	○	○
AH 164	103.164.000	320	160	134	302	142	2.950	●	○	●	●	●	●	●	●	○	○
AH 166	103.166.000	480	160	134	462	142	4.640	●	○	●	●	●	●	●	●	○	○
AH 200	103.200.000	200	200	159	180	180	2.950	●	○	●	●	●	●	●	●	○	○
AH 202	103.202.000	300	200	159	280	180	3.880	●	○	●	●	●	●	●	●	○	○
AH 204	103.204.000	400	200	159	380	180	5.600	●	○	●	●	●	●	●	●	○	○
AH 240	103.240.000	240	240	159	220	220	4.050	●	○	●	●	●	●	●	●	○	○
AH 242	103.242.000	360	240	159	340	220	4.760	●	○	●	●	●	●	●	●	○	○
AH 244	103.244.000	480	240	159	460	220	7.260	●	○	●	●	●	●	●	●	○	○

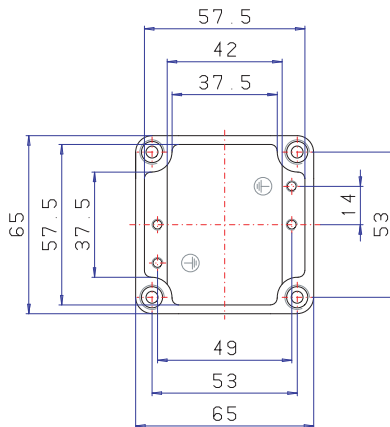


AS 060



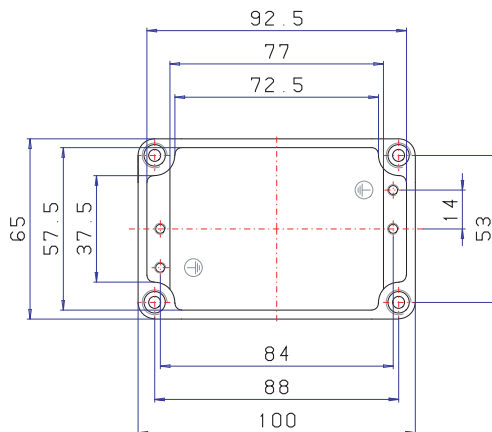
M Kabelverschraubungen a Cable glands x Kabelschroefkoppelingen			
A C D B		A/B C/D	
	PG 7	2	1
M 16	PG 9	1	1
	PG 11	1	
M 20	PG 13,5	1	
	PG 16		
M 25	PG 21		
M 32	PG 29		
M 40	PG 36		
M 50	PG 42		
M 63	PG 48		

AS 062



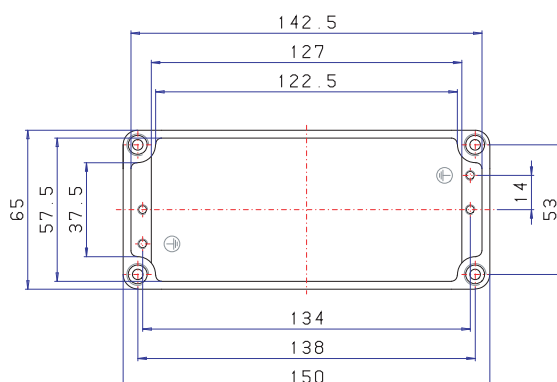
M Kabelverschraubungen a Cable glands x Kabelschroefkoppelingen			
A C D B		A/B C/D	
	PG 7	2	2
M 16	PG 9	1	1
	PG 11	1	
M 20	PG 13,5	1	
	PG 16		
M 25	PG 21		
M 32	PG 29		
M 40	PG 36		
M 50	PG 42		
M 63	PG 48		

AS 064



M Kabelverschraubungen a Cable glands x Kabelschroefkoppelingen			
A C D B		A/B C/D	
	PG 7	4	2
M 16	PG 9	3	1
	PG 11	3	
M 20	PG 13,5	2	
	PG 16		
M 25	PG 21		
M 32	PG 29		
M 40	PG 36		
M 50	PG 42		
M 63	PG 48		

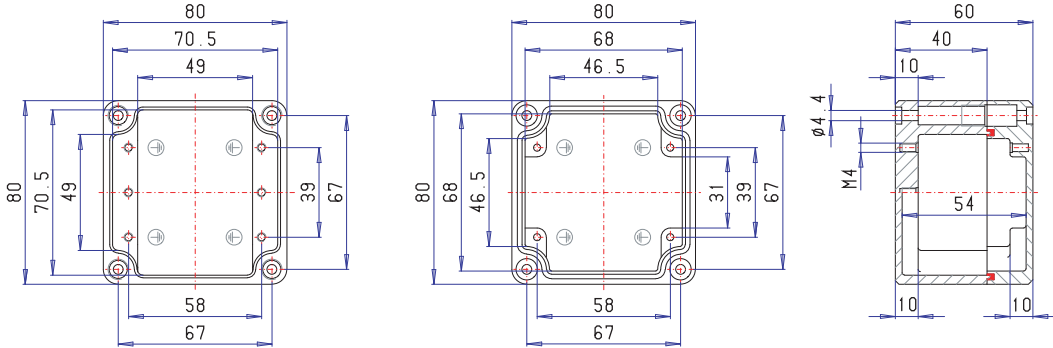
AS 066



M Kabelverschraubungen a Cable glands x Kabelschroefkoppelingen			
A C D B		A/B C/D	
	PG 7	7	2
M 16	PG 9	5	1
	PG 11	4	
M 20	PG 13,5	4	
	PG 16		
M 25	PG 21		
M 32	PG 29		
M 40	PG 36		
M 50	PG 42		
M 63	PG 48		

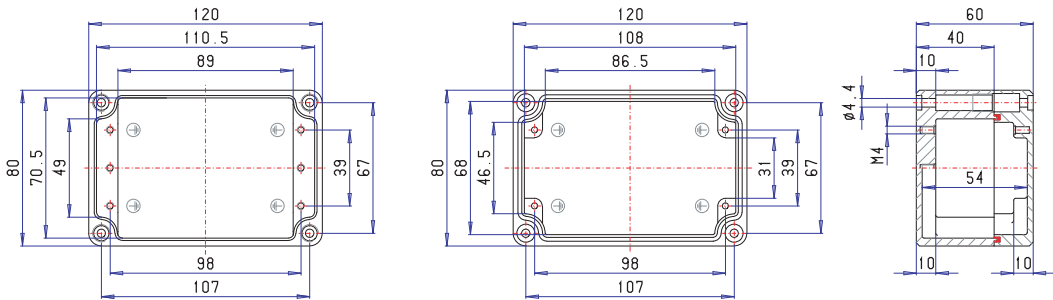


AS 080



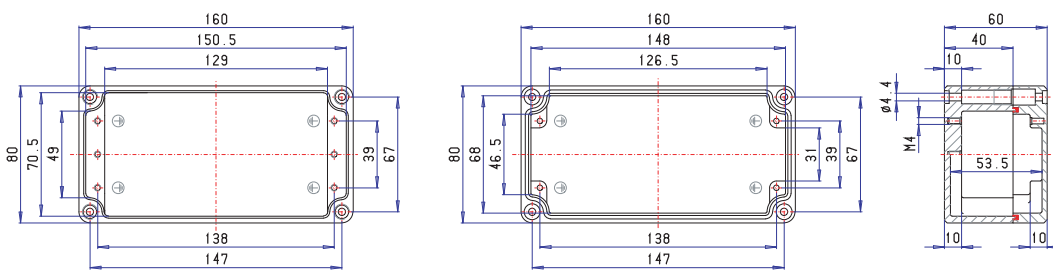
M Kabelverschraubungen		a Cable glands		x Kabelschroefkoppelingen	
A	B	C	D	A/B	C/D
				PG 7	6 4
M 16				PG 9	3 2
				PG 11	2 2
M 20				PG 13,5	2 2
				PG 16	1 1
M 25				PG 21	1
M 32				PG 29	
M 40				PG 36	
M 50				PG 42	
M 63				PG 48	

AS 082



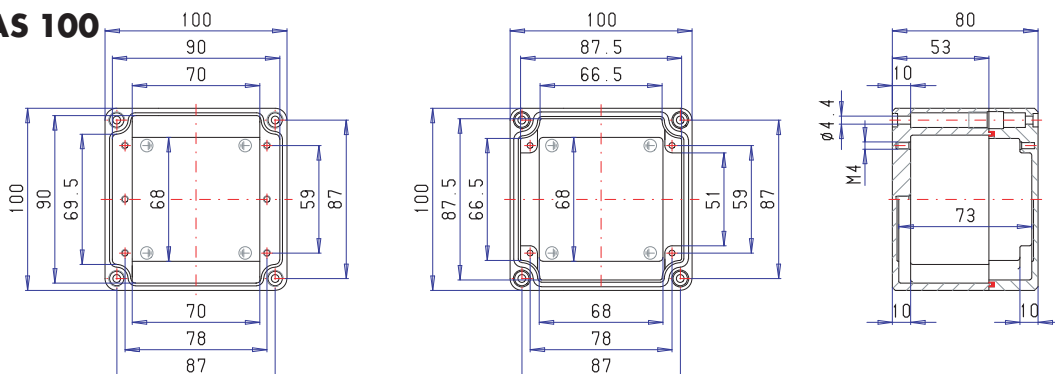
M Kabelverschraubungen		a Cable glands		x Kabelschroefkoppelingen	
A	B	C	D	A/B	C/D
				PG 7	10 4
M 16				PG 9	7 2
				PG 11	3 2
M 20				PG 13,5	3 2
				PG 16	2 1
M 25				PG 21	2
M 32				PG 29	
M 40				PG 36	
M 50				PG 42	
M 63				PG 48	

AS 084



M Kabelverschraubungen		a Cable glands		x Kabelschroefkoppelingen	
A	B	C	D	A/B	C/D
				PG 7	14 4
M 16				PG 9	11 2
				PG 11	5 2
M 20				PG 13,5	4 2
				PG 16	4 1
M 25				PG 21	3
M 32				PG 29	
M 40				PG 36	
M 50				PG 42	
M 63				PG 48	

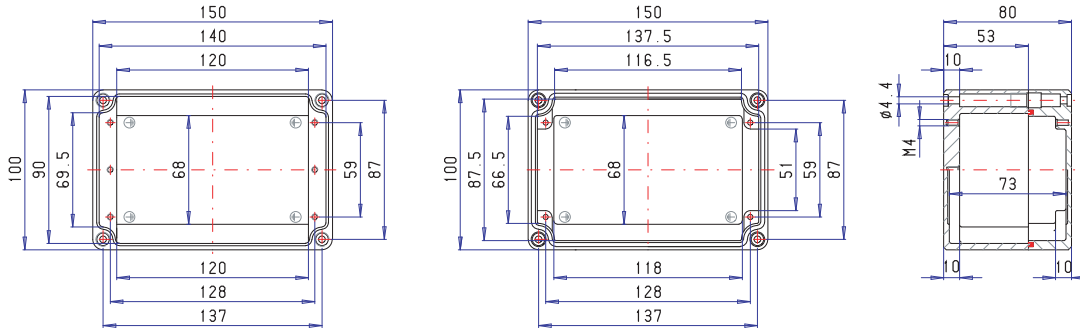
AS 100



M Kabelverschraubungen		a Cable glands		x Kabelschroefkoppelingen	
A	B	C	D	A/B	C/D
				PG 7	11 8
M 16				PG 9	6 5
				PG 11	5 3
M 20				PG 13,5	4 3
				PG 16	2 2
M 25				PG 21	2 2
M 32				PG 29	1 1
M 40				PG 36	
M 50				PG 42	
M 63				PG 48	

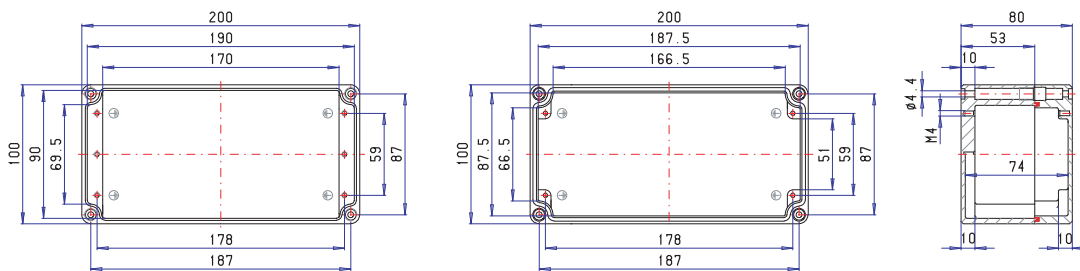


AS 102



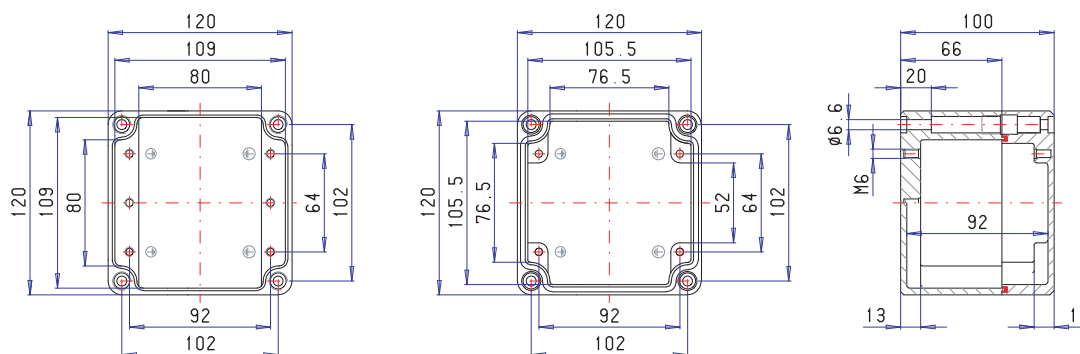
M Kabelverschraubungen a Cable glands x Kabelschroefkoppelingen			
A C D		A/B C/D	
B	PG 7	18	8
M 16	PG 9	10	5
	PG 11	8	3
M 20	PG 13,5	6	3
	PG 16	4	2
M 25	PG 21	3	2
M 32	PG 29	2	1
M 40	PG 36		
M 50	PG 42		
M 63	PG 48		

AS 104



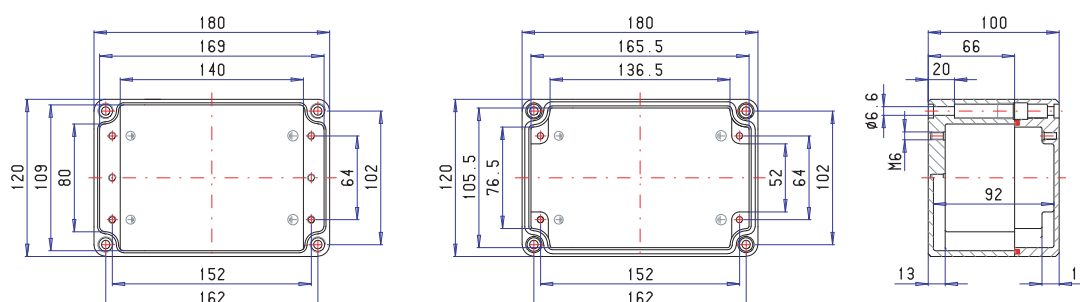
M Kabelverschraubungen a Cable glands x Kabelschroefkoppelingen			
A C D		A/B C/D	
B	PG 7	26	8
M 16	PG 9	18	5
	PG 11	12	3
M 20	PG 13,5	9	3
	PG 16	6	2
M 25	PG 21	4	2
M 32	PG 29	3	
M 40	PG 36		
M 50	PG 42		
M 63	PG 48		

AS 120



M Kabelverschraubungen a Cable glands x Kabelschroefkoppelingen			
A C D		A/B C/D	
B	PG 7	14	12
M 16	PG 9	11	8
	PG 11	6	6
M 20	PG 13,5	6	6
	PG 16	4	3
M 25	PG 21	3	2
M 32	PG 29	1	1
M 40	PG 36	1	1
M 50	PG 42		
M 63	PG 48		

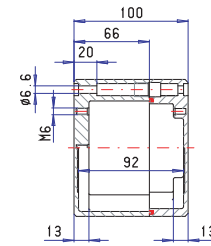
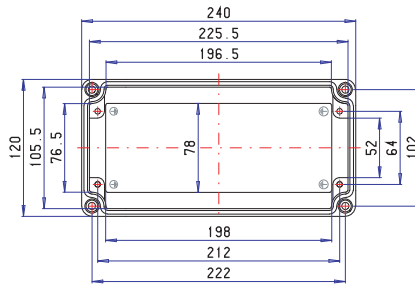
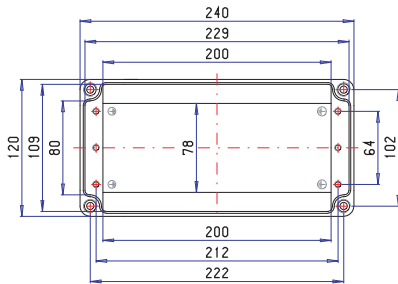
AS 122



M Kabelverschraubungen a Cable glands x Kabelschroefkoppelingen			
A C D		A/B C/D	
B	PG 7	26	12
M 16	PG 9	18	8
	PG 11	11	6
M 20	PG 13,5	10	6
	PG 16	8	3
M 25	PG 21	5	2
M 32	PG 29	3	1
M 40	PG 36	2	1
M 50	PG 42		
M 63	PG 48		

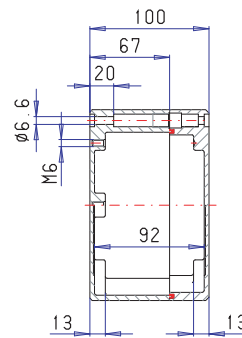
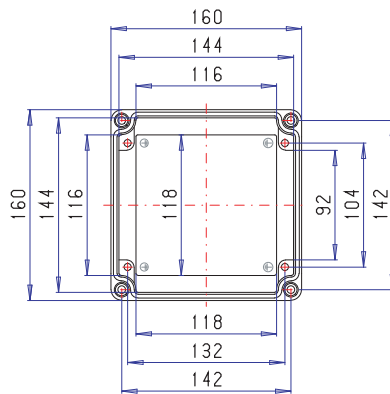
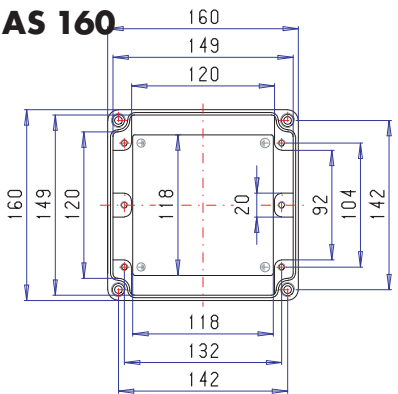


AS 124



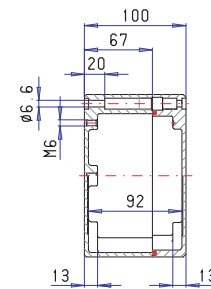
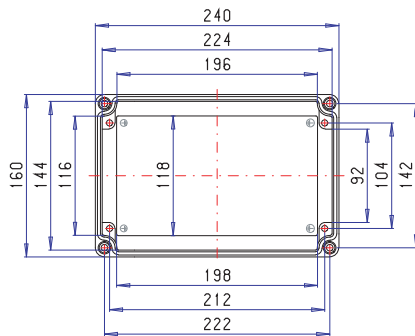
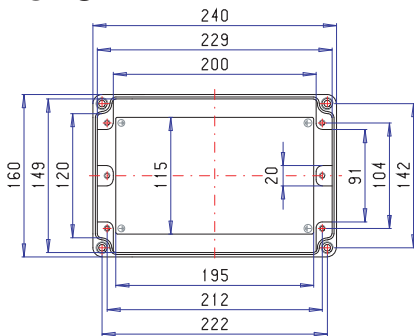
M Kabelverschraubungen		a Cable glands		x Kabelschroefkoppelingen	
A	B	C	D	A/B	C/D
				PG 7	40 12
M 16				PG 9	26 8
				PG 11	17 6
M 20				PG 13,5	14 6
				PG 16	12 3
M 25				PG 21	7 2
M 32				PG 29	4 1
M 40				PG 36	3 1
M 50				PG 42	
M 63				PG 48	

AS 160



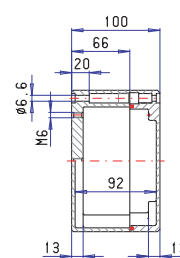
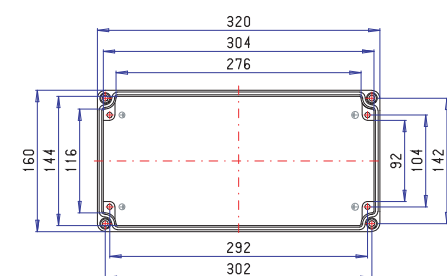
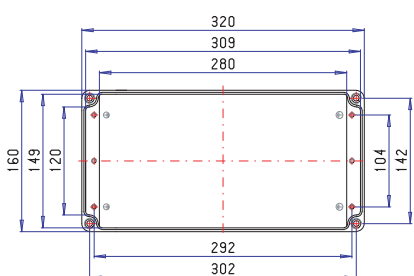
M Kabelverschraubungen		a Cable glands		x Kabelschroefkoppelingen	
A	B	C	D	A/B	C/D
				PG 7	22 18
M 16				PG 9	15 12
				PG 11	9 8
M 20				PG 13,5	8 8
				PG 16	6 4
M 25				PG 21	4 3
M 32				PG 29	2 2
M 40				PG 36	2 2
M 50				PG 42	
M 63				PG 48	

AS 162



M Kabelverschraubungen		a Cable glands		x Kabelschroefkoppelingen	
A	B	C	D	A/B	C/D
				PG 7	40 18
M 16				PG 9	26 12
				PG 11	17 8
M 20				PG 13,5	14 8
				PG 16	12 4
M 25				PG 21	7 3
M 32				PG 29	4 2
M 40				PG 36	3 2
M 50				PG 42	
M 63				PG 48	

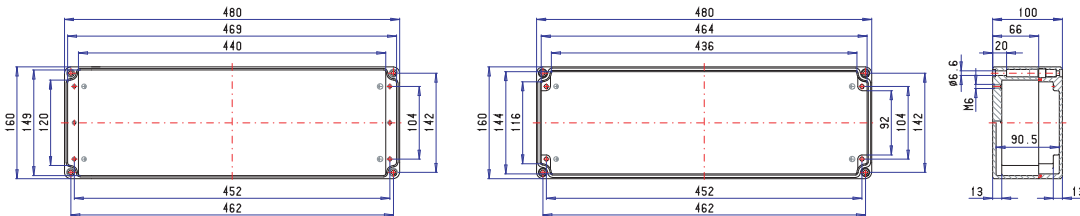
AS 164



M Kabelverschraubungen		a Cable glands		x Kabelschroefkoppelingen	
A	B	C	D	A/B	C/D
				PG 7	56 18
M 16				PG 9	36 12
				PG 11	23 8
M 20				PG 13,5	18 8
				PG 16	16 4
M 25				PG 21	10 3
M 32				PG 29	6 2
M 40				PG 36	4 2
M 50				PG 42	
M 63				PG 48	

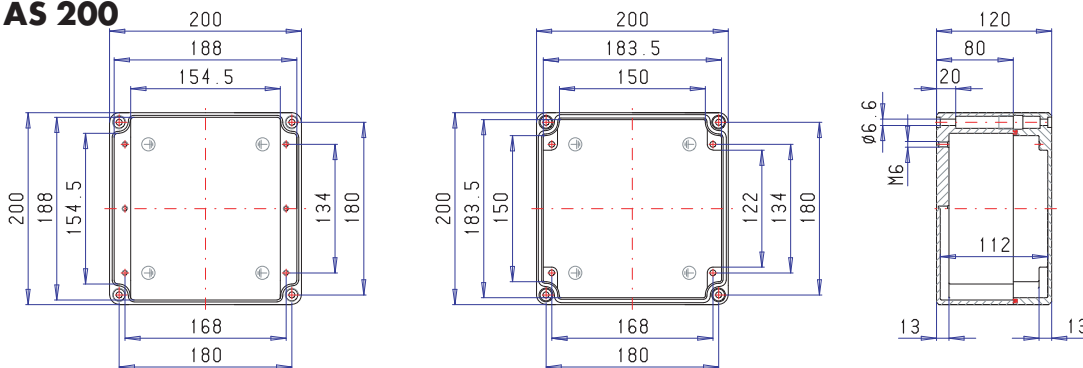


AS 166



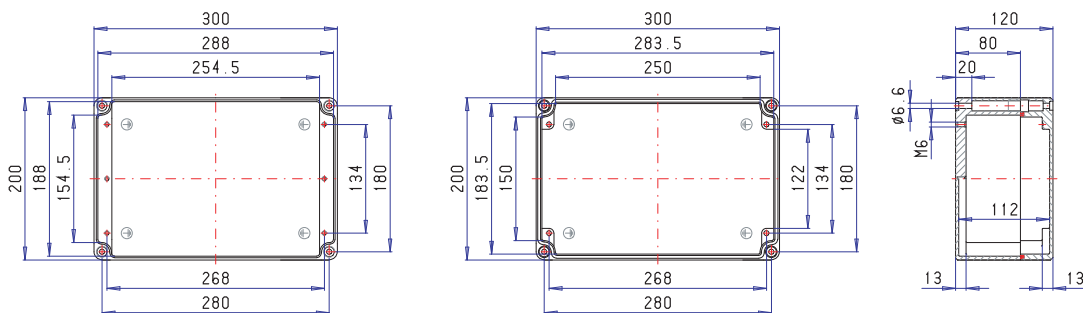
M Kabelverschraubungen a Cable glands x Kabelschroeffkoppelungen			
A C D B		A/B	C/D
	PG 7	86	18
M 16	PG 9	57	12
	PG 11	36	8
M 20	PG 13,5	30	8
	PG 16	26	4
M 25	PG 21	16	3
M 32	PG 29	10	2
M 40	PG 36	7	2
M 50	PG 42		
M 63	PG 48		

AS 200



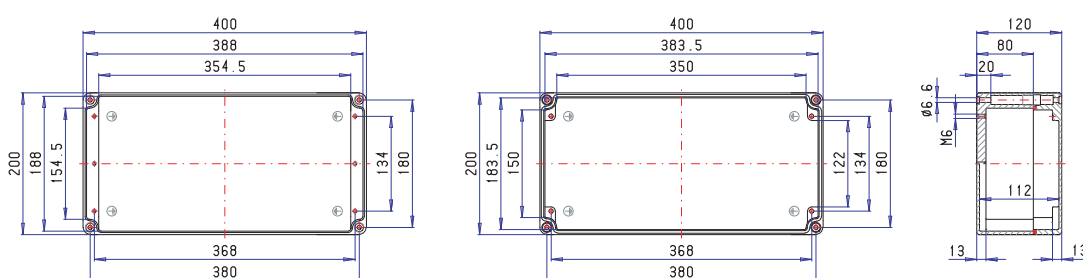
M Kabelverschraubungen a Cable glands x Kabelschroeffkoppelungen			
A C D B		A/B	C/D
	PG 7	30	30
M 16	PG 9	21	21
	PG 11	18	12
M 20	PG 13,5	14	11
	PG 16	9	9
M 25	PG 21	8	5
M 32	PG 29	4	3
M 40	PG 36	2	2
M 50	PG 42		
M 63	PG 48		

AS 202



M Kabelverschraubungen a Cable glands x Kabelschroeffkoppelungen			
A C D B		A/B	C/D
	PG 7	50	30
M 16	PG 9	33	21
	PG 11	27	12
M 20	PG 13,5	21	11
	PG 16	15	9
M 25	PG 21	13	5
M 32	PG 29	6	3
M 40	PG 36	4	2
M 50	PG 42		
M 63	PG 48		

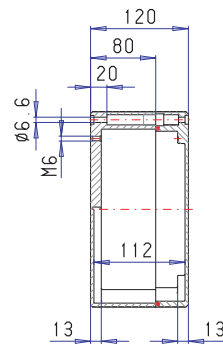
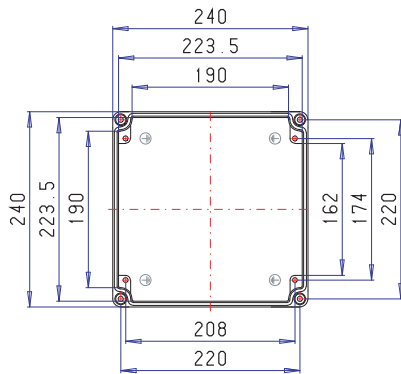
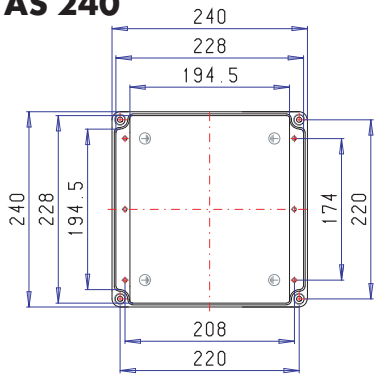
AS 204



M Kabelverschraubungen a Cable glands x Kabelschroeffkoppelungen			
A C D B		A/B	C/D
	PG 7	70	30
M 16	PG 9	48	21
	PG 11	39	12
M 20	PG 13,5	30	11
	PG 16	20	9
M 25	PG 21	18	5
M 32	PG 29	9	3
M 40	PG 36	5	2
M 50	PG 42		
M 63	PG 48		

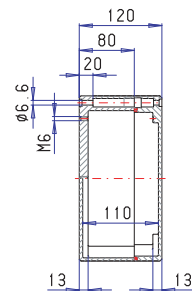
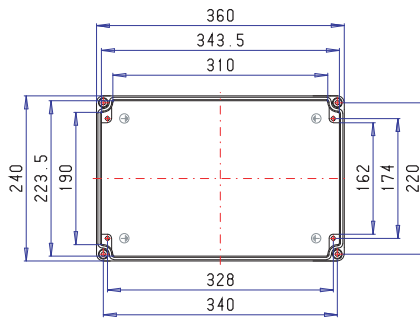
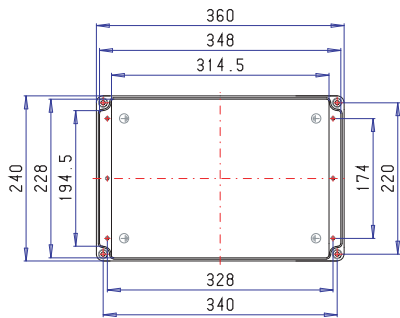


AS 240



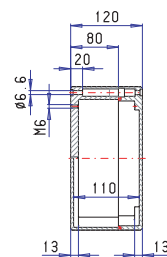
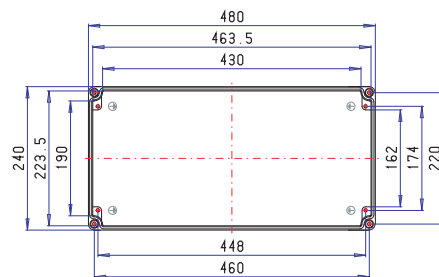
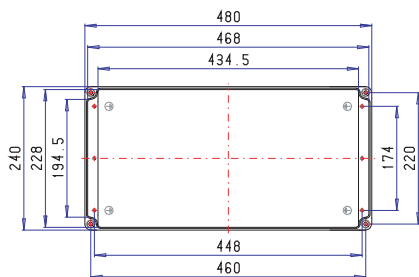
M Kabelverschraubungen a Cable glands x Kabelschroefkoppelingen		A/B/C/D	
C	A/B	D	A/B/C/D
	PG 7		38 38
M 16	PG 9		24 24
	PG 11		21 17
M 20	PG 13,5		17 14
	PG 16		12 12
M 25	PG 21		10 7
M 32	PG 29		5 4
M 40	PG 36		3 3
M 50	PG 42		
M 63	PG 48		

AS 242



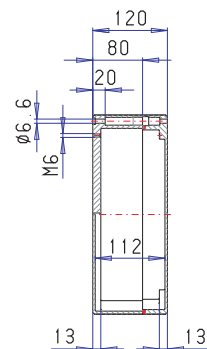
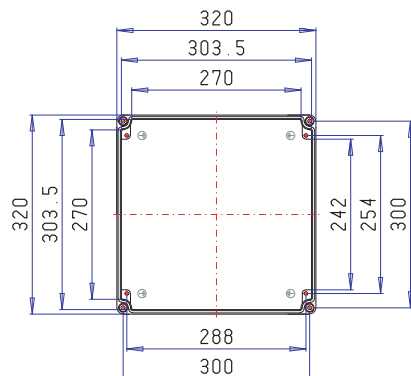
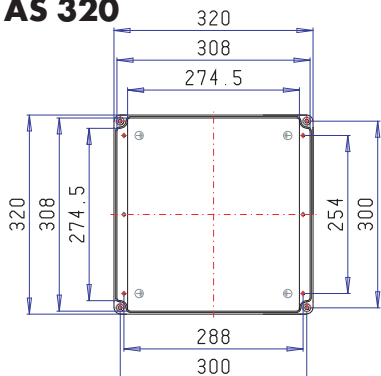
M Kabelverschraubungen a Cable glands x Kabelschroefkoppelingen		A/B/C/D	
C	A/B	D	A/B/C/D
	PG 7		62 38
M 16	PG 9		45 24
	PG 11		35 17
M 20	PG 13,5		27 14
	PG 16		18 12
M 25	PG 21		16 7
M 32	PG 29		8 4
M 40	PG 36		5 3
M 50	PG 42		
M 63	PG 48		

AS 244



M Kabelverschraubungen a Cable glands x Kabelschroefkoppelingen		A/B/C/D	
C	A/B	D	A/B/C/D
	PG 7		86 38
M 16	PG 9		60 24
	PG 11		48 17
M 20	PG 13,5		38 14
	PG 16		26 12
M 25	PG 21		22 7
M 32	PG 29		11 4
M 40	PG 36		7 3
M 50	PG 42		
M 63	PG 48		

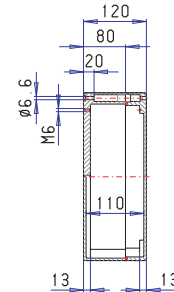
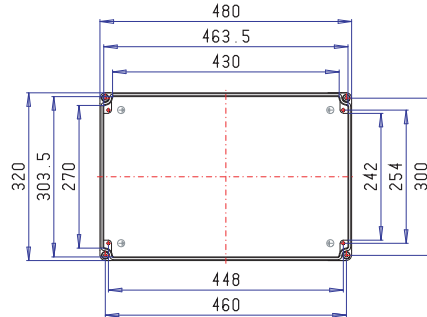
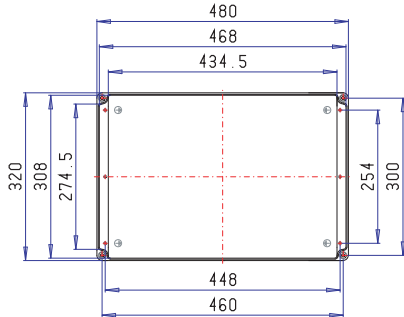
AS 320



M Kabelverschraubungen a Cable glands x Kabelschroefkoppelingen		A/B/C/D	
C	A/B	D	A/B/C/D
	PG 7		54 54
M 16	PG 9		36 36
	PG 11		30 23
M 20	PG 13,5		24 18
	PG 16		16 16
M 25	PG 21		14 10
M 32	PG 29		7 6
M 40	PG 36		4 4
M 50	PG 42		
M 63	PG 48		

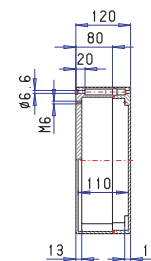
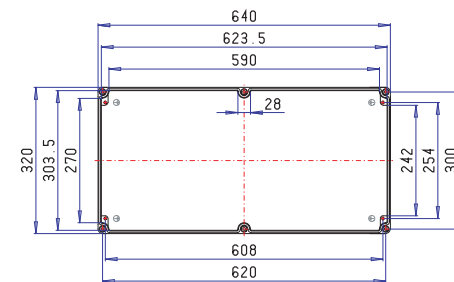
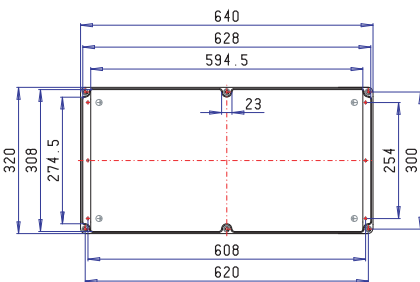


AS 322



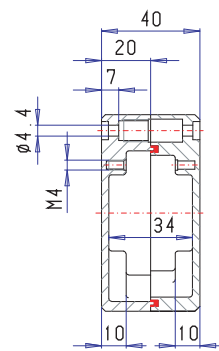
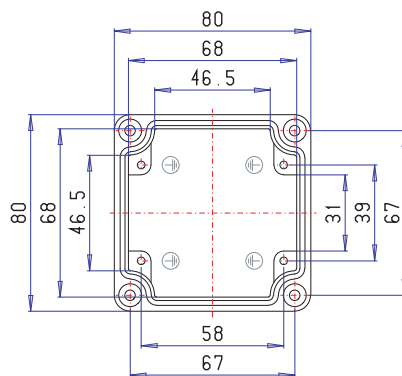
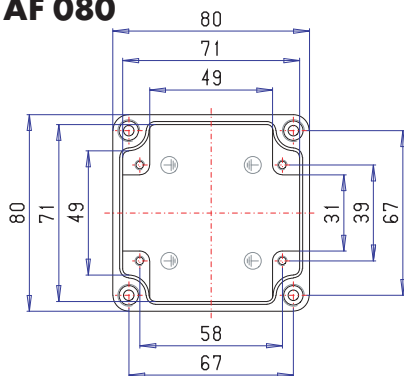
M Kabelverschraubungen a Cable glands x Kabelschroefkoppelingen		A	A/B	C/D
C	D	B		
		PG 7	86	54
M 16		PG 9	57	36
		PG 11	48	23
M 20		PG 13,5	38	18
		PG 16	26	16
M 25		PG 21	22	10
M 32		PG 29	11	6
M 40		PG 36	7	4
M 50		PG 42		
M 63		PG 48		

AS 324



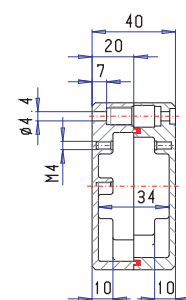
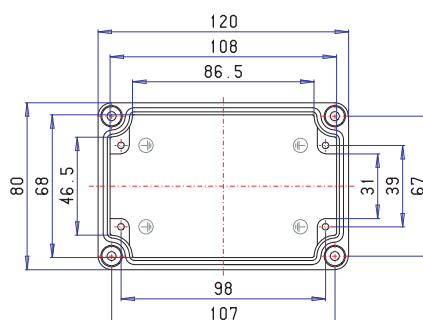
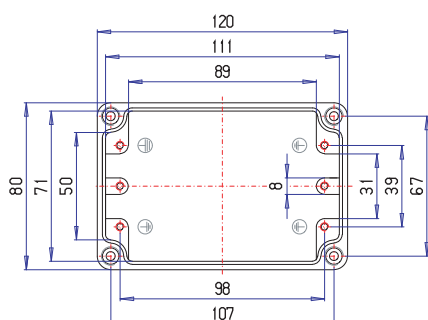
M Kabelverschraubungen a Cable glands x Kabelschroefkoppelingen		A	A/B	C/D
C	D	B		
		PG 7	112	54
M 16		PG 9	72	36
		PG 11	60	23
M 20		PG 13,5	48	18
		PG 16	32	16
M 25		PG 21	28	10
M 32		PG 29	14	6
M 40		PG 36	8	4
M 50		PG 42		
M 63		PG 48		

AF 080



M Kabelverschraubungen a Cable glands x Kabelschroefkoppelingen		A	A/B	C/D
C	D	B		
		PG 7	2	2
M 16		PG 9		
		PG 11		
M 20		PG 13,5		
		PG 16		
M 25		PG 21		
M 32		PG 29		
M 40		PG 36		
M 50		PG 42		
M 63		PG 48		

AF 082



M Kabelverschraubungen a Cable glands x Kabelschroefkoppelingen		A	A/B	C/D
C	D	B		
		PG 7	5	2
M 16		PG 9		
		PG 11		
M 20		PG 13,5		
		PG 16		
M 25		PG 21		
M 32		PG 29		
M 40		PG 36		
M 50		PG 42		
M 63		PG 48		