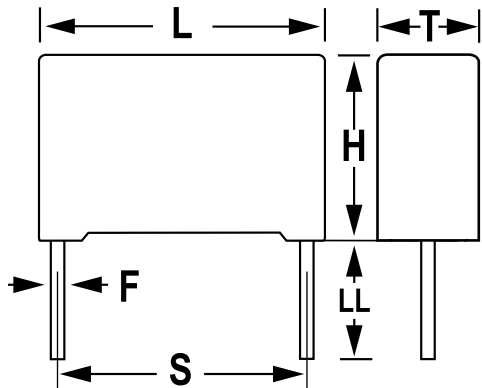


R74, Film, Metallized Polypropylene, Automotive Grade, 1500 pF, 5%, 2000 VDC, 85°C, Lead Spacing = 10mm



General Information	
Series:	R74
Dielectric:	Metallized Polypropylene
Style:	Radial
Features:	Automotive Grade, Pulse
RoHS:	Yes
Lead:	Wire Leads
Qualifications:	AEC-Q200
AEC-Q200:	Yes
Miscellaneous:	Above 85C DC And AC Voltage Derating Is 1.25%/C

Dimensions	
L	13mm +0.2mm
H	9mm +0.1mm
T	4mm +0.2mm
S	10mm +/-0.4mm
LL	30mm +5mm
F	0.6mm +/-0.05mm

Specifications	
Capacitance:	1500 pF
Capacitance Tolerance:	5%
Voltage AC:	700 VAC
Voltage DC:	2000 VDC
Temperature Range:	-55/+105C
Rated Temperature:	85°C
Dissipation Factor:	0.01% 1kHz, 0.02% 10kHz, 0.03% 100kHz
Insulation Resistance:	100 GOhms
Max dV/dt:	10000 V/us
Inductance:	9 nH

Packaging Specifications	
Packaging:	Bulk, Bag
Packaging Quantity:	1800